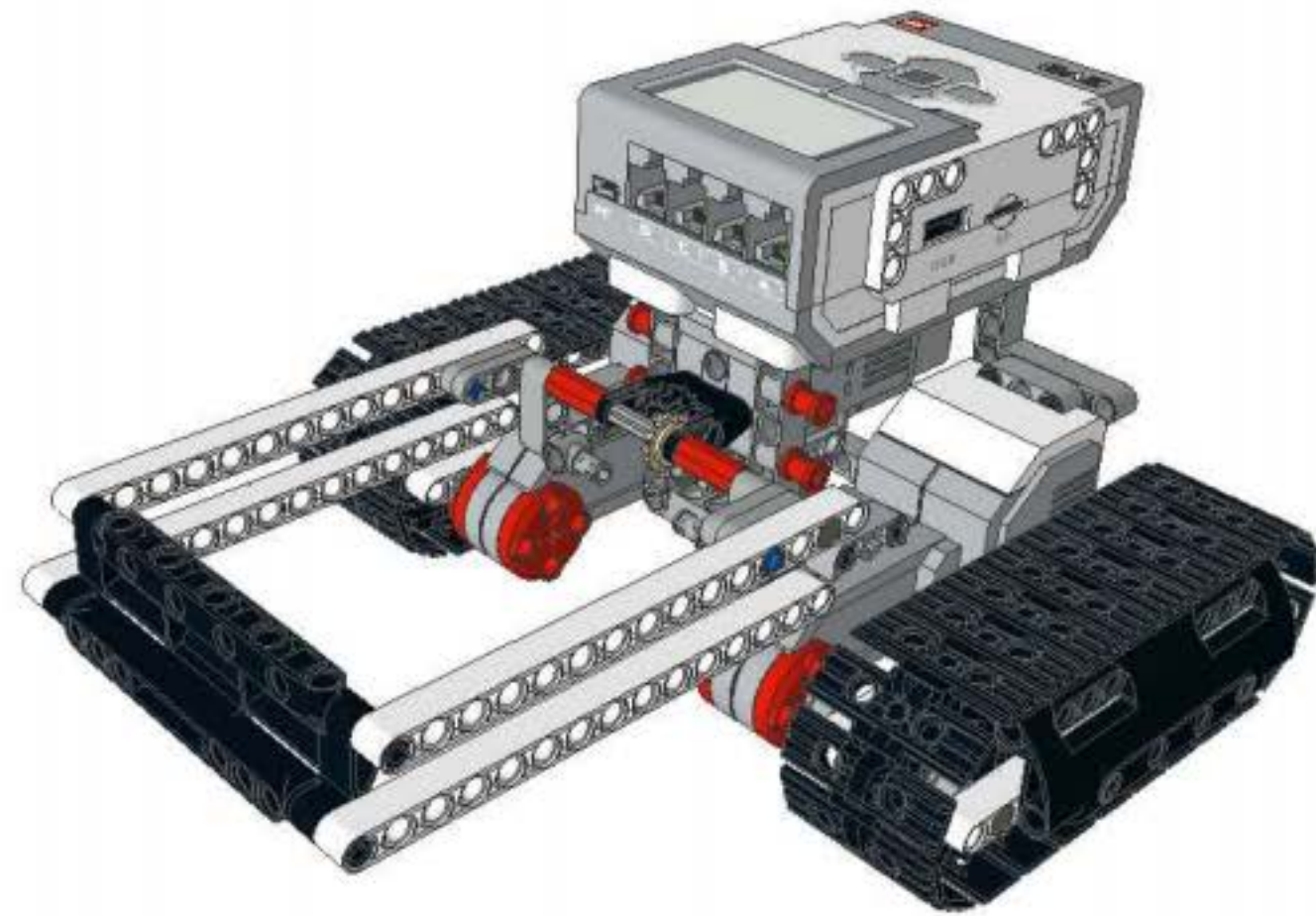


BRICK
EDUCATION

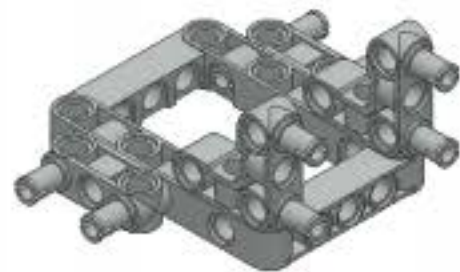
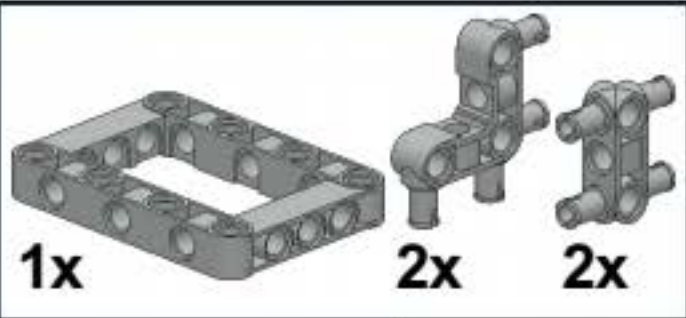
BULLDOZER



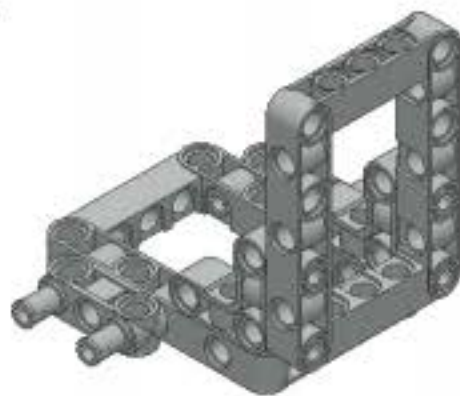
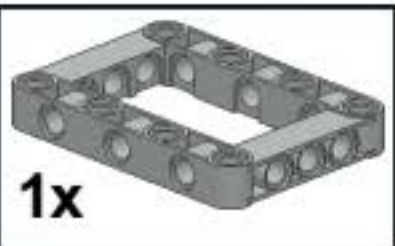
SUB MODEL



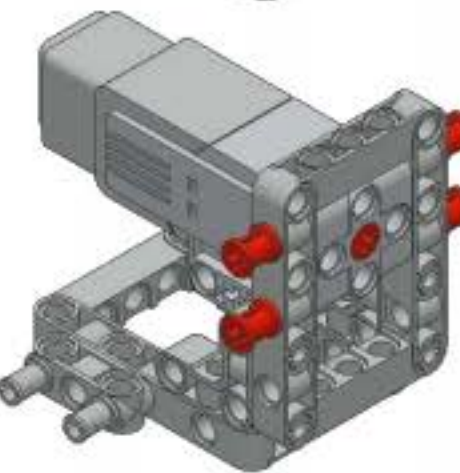
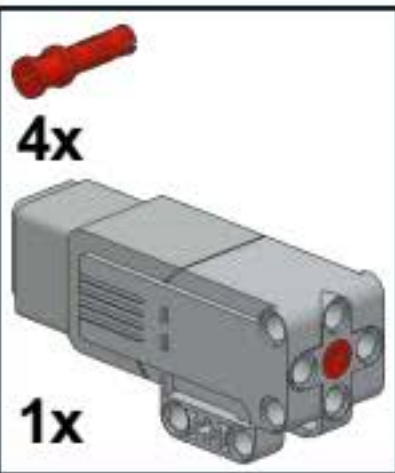
1



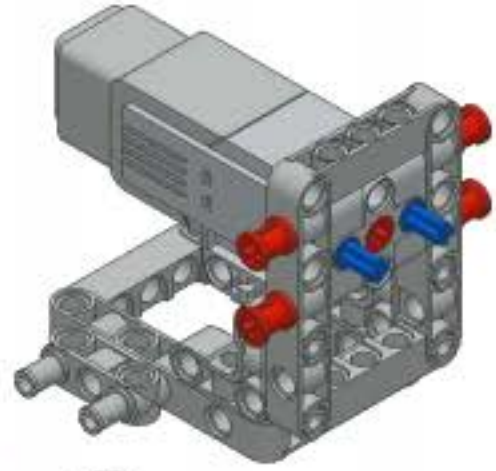
2



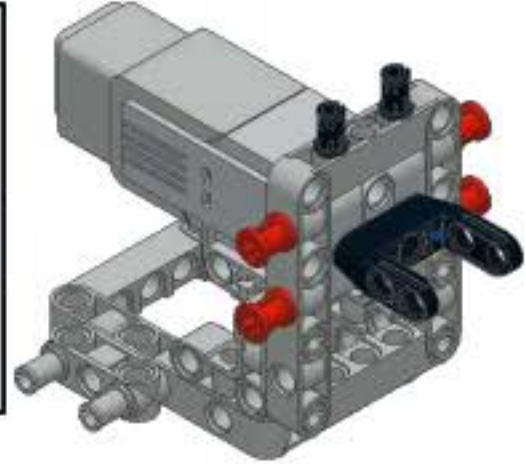
3




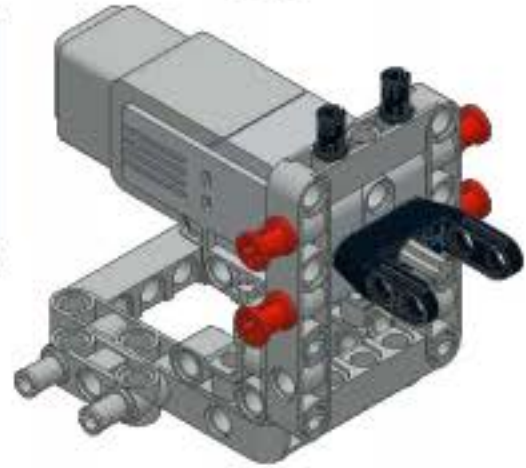
4  2x



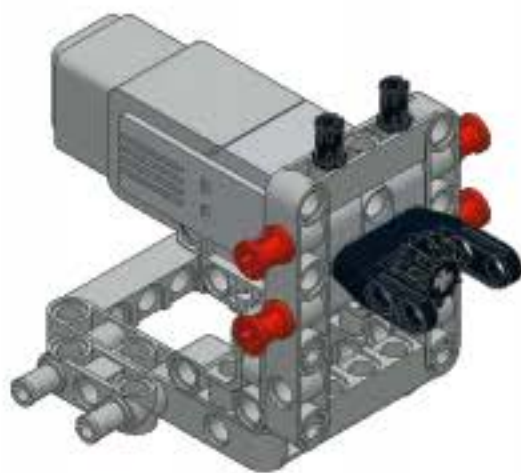
5  2x
 1x



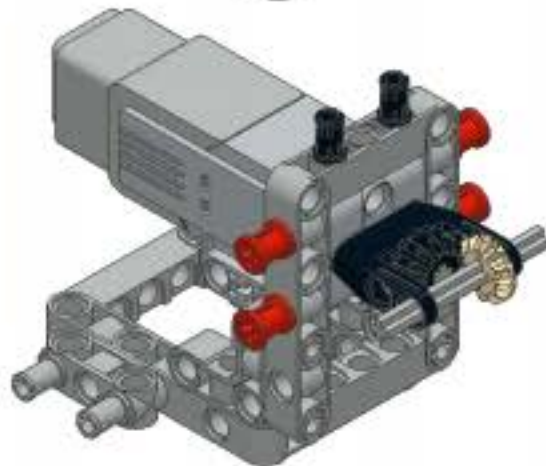
6  3
1x



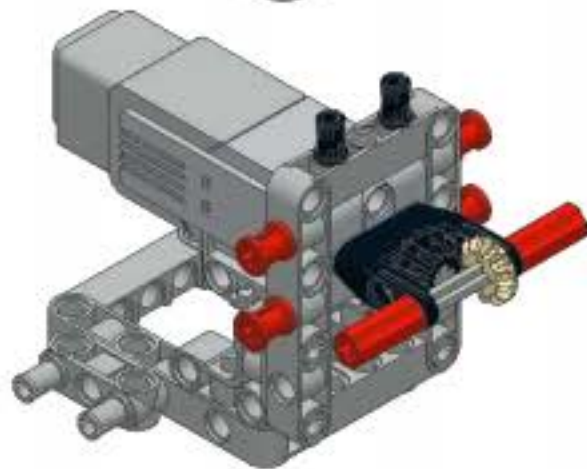
7  1x



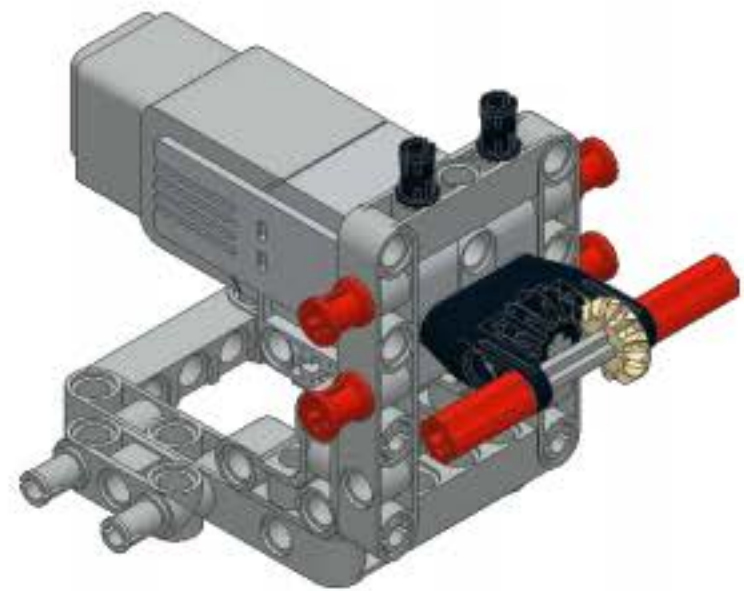
8  1x  5  1x

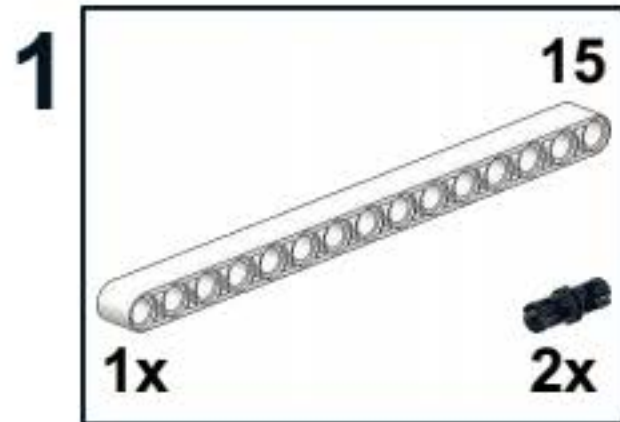
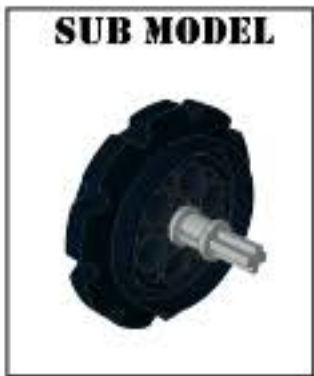


9  2x



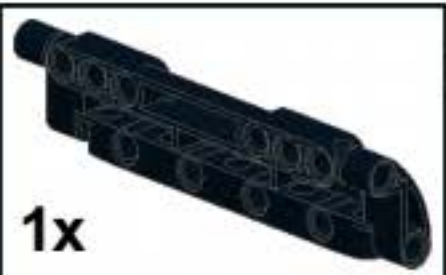
1



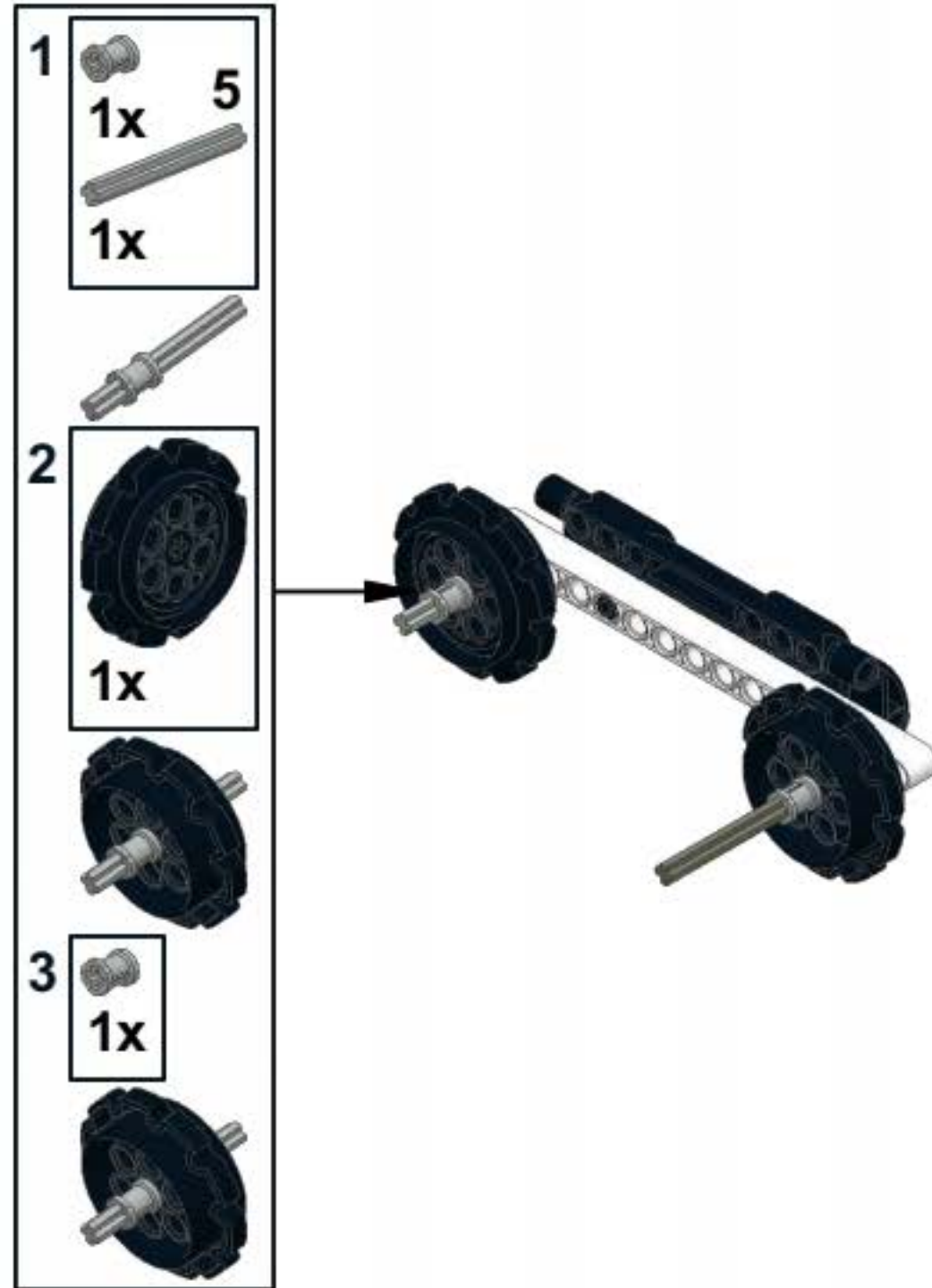


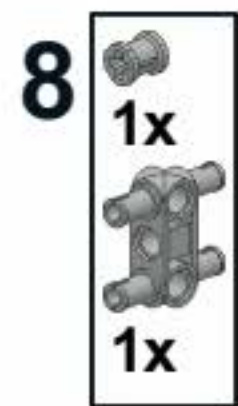
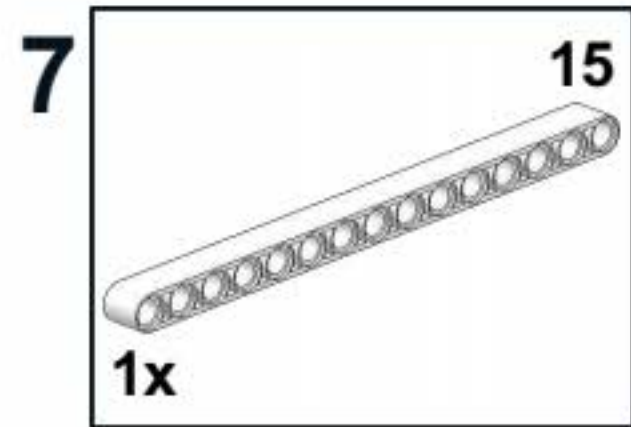
4  1x



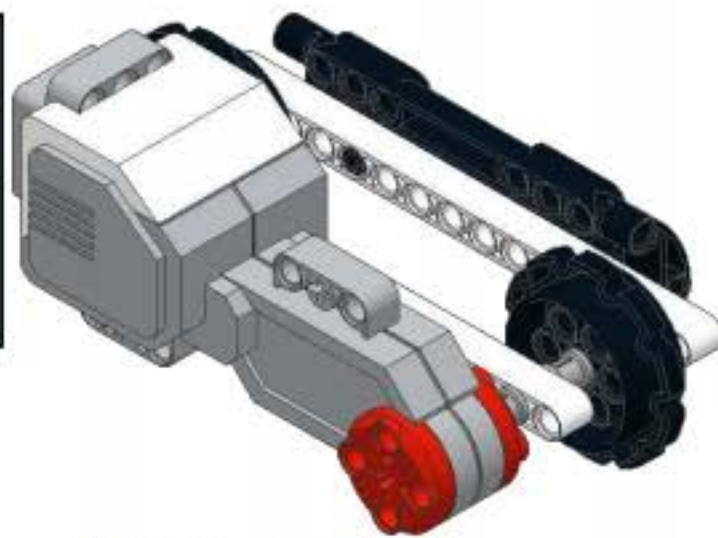
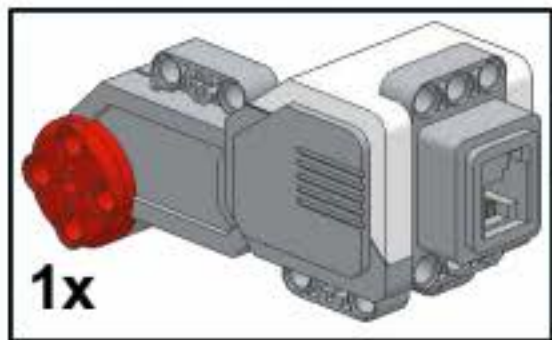
5  1x



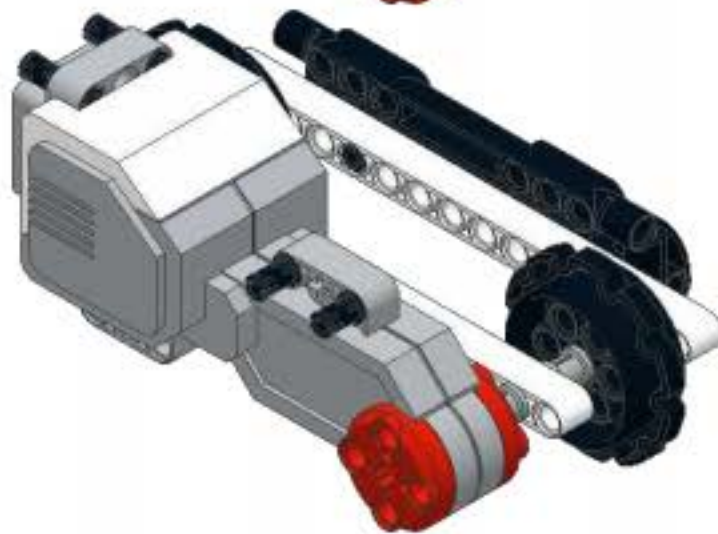




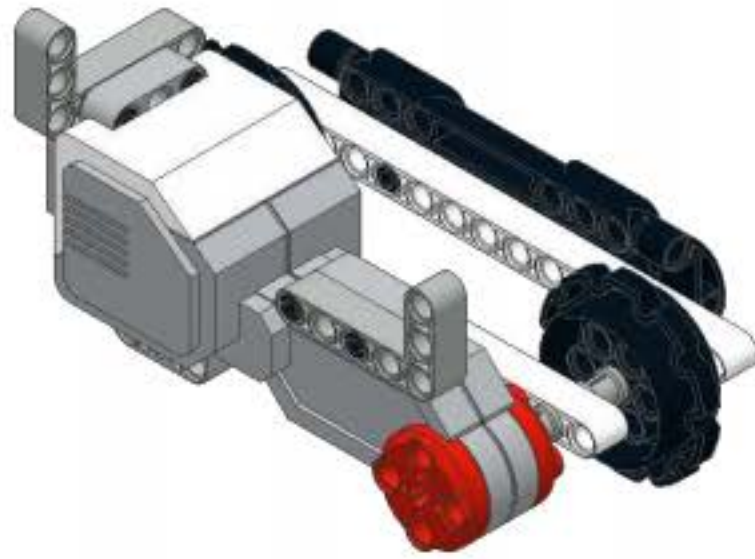
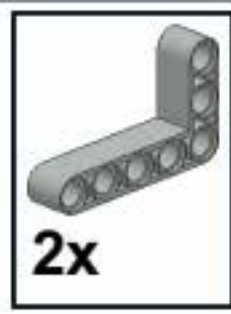
9



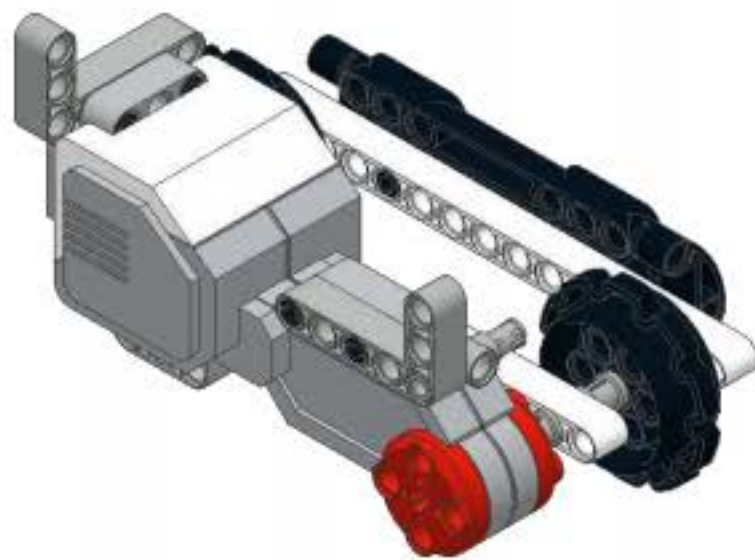
10



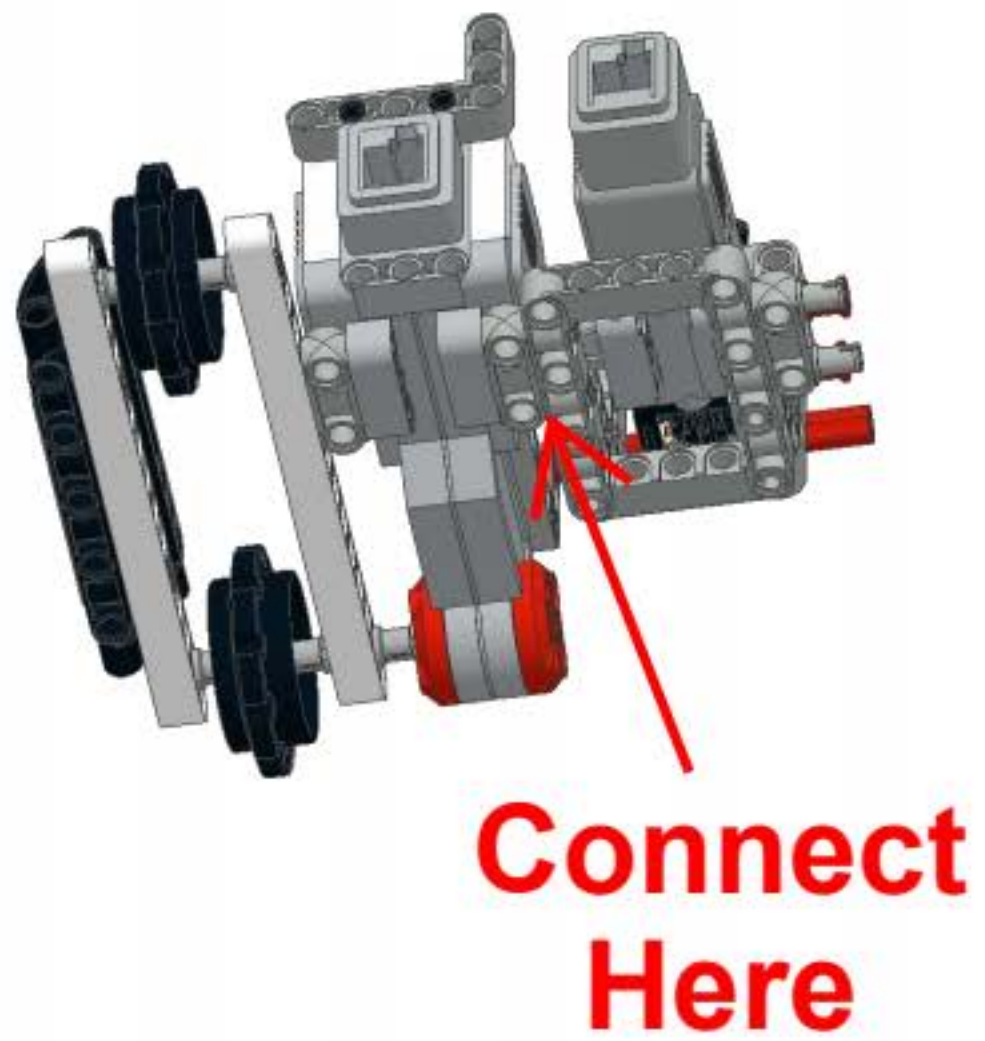
11



12 
1x



2



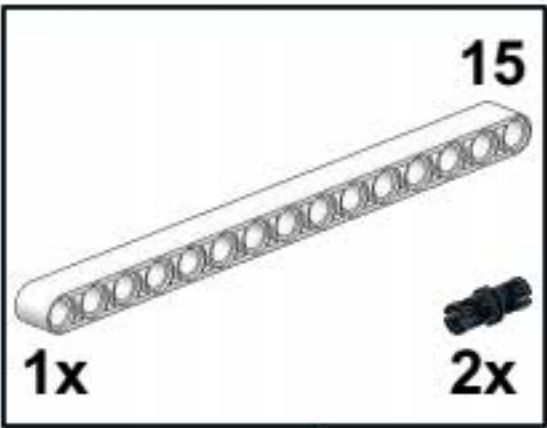
SUB MODEL



SUB MODEL



1

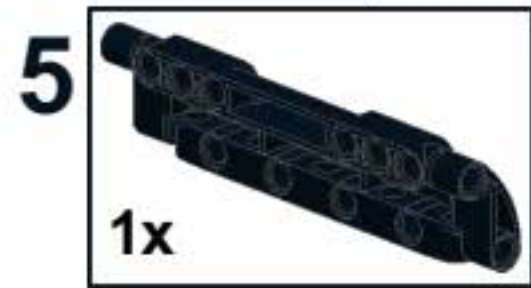
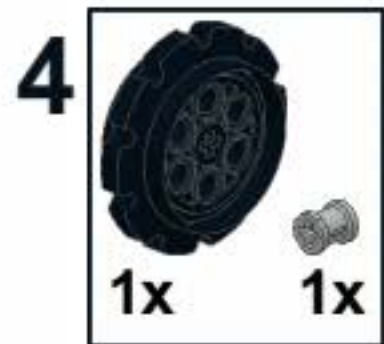


2







3

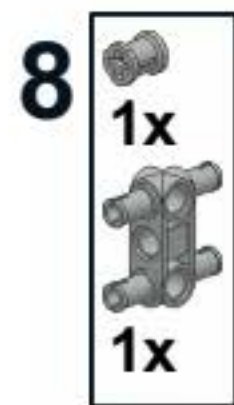
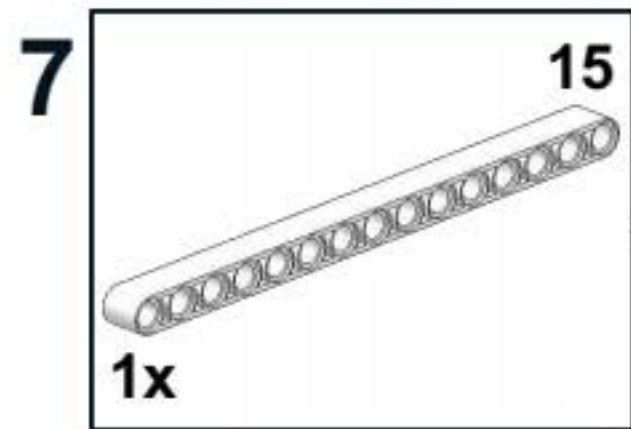


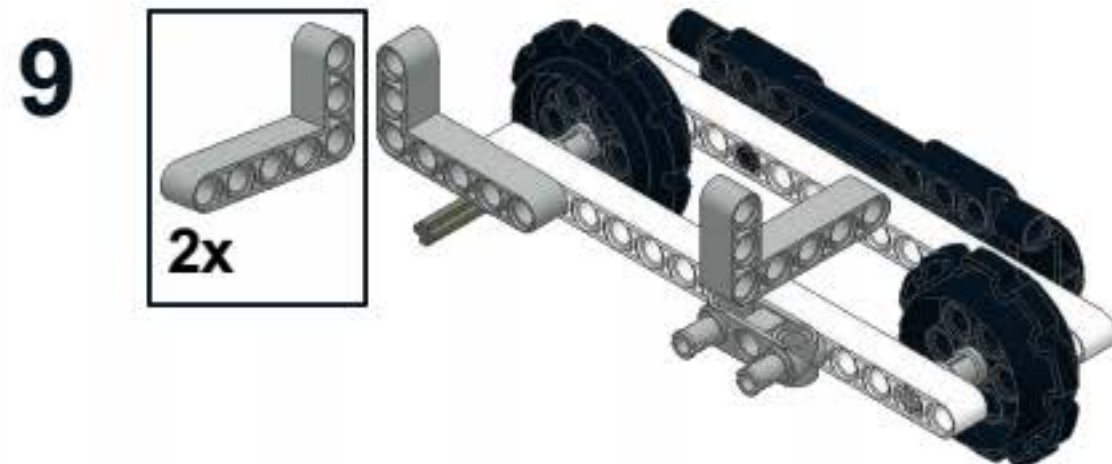


6

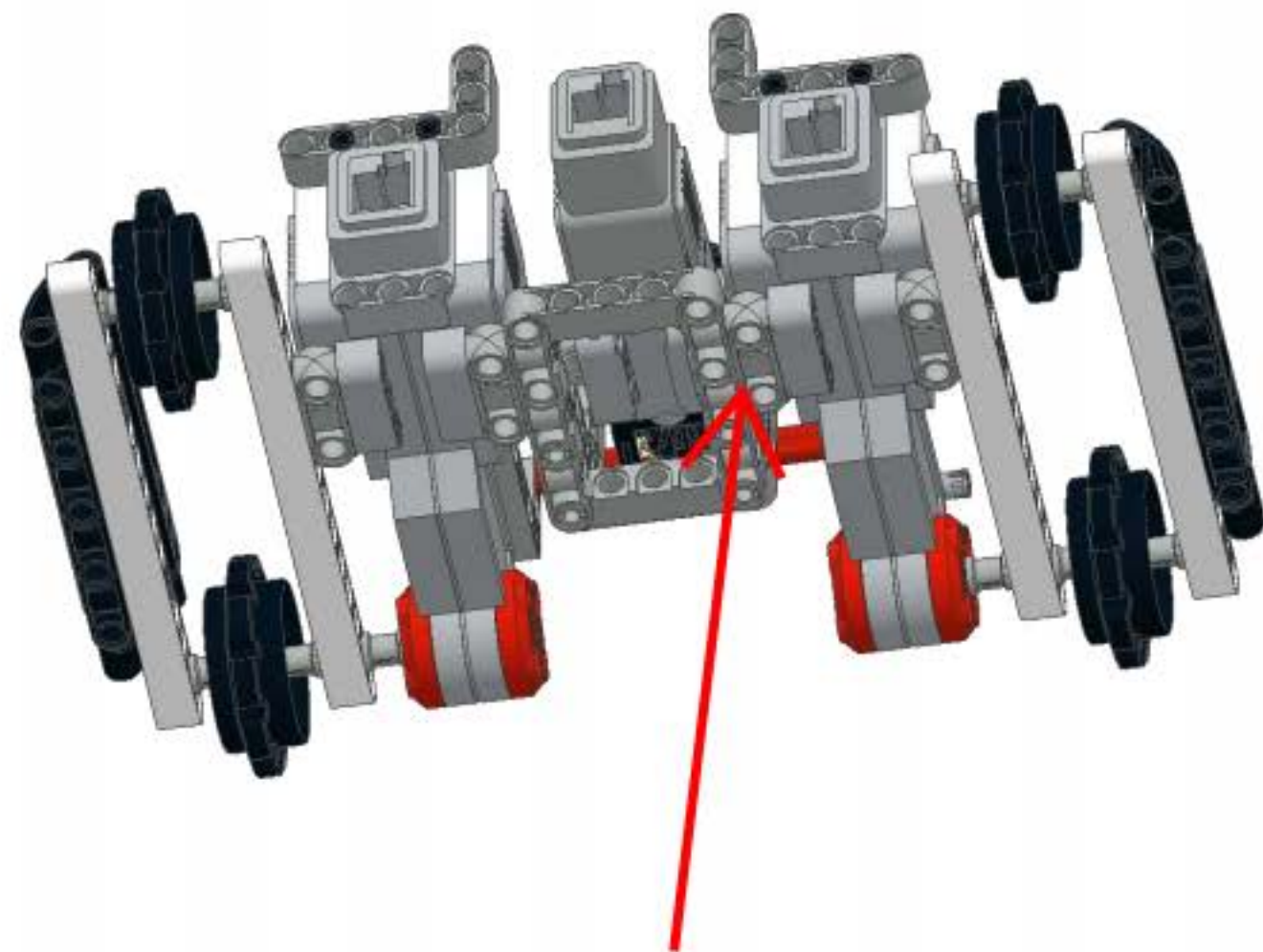


- 1  1x  5
1x
- 2  1x
- 3  1x
- 



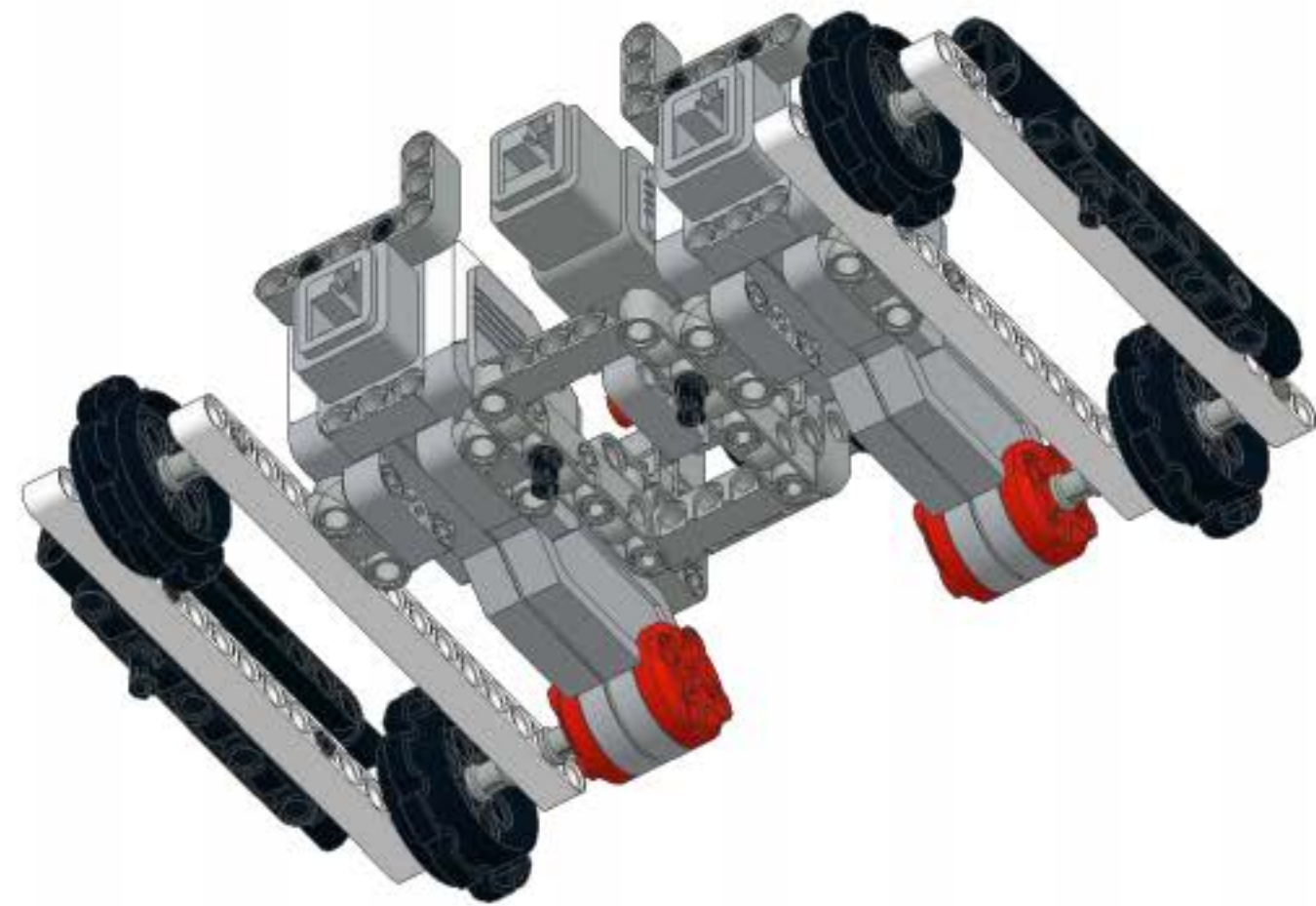


3



**Connect
Here**

4

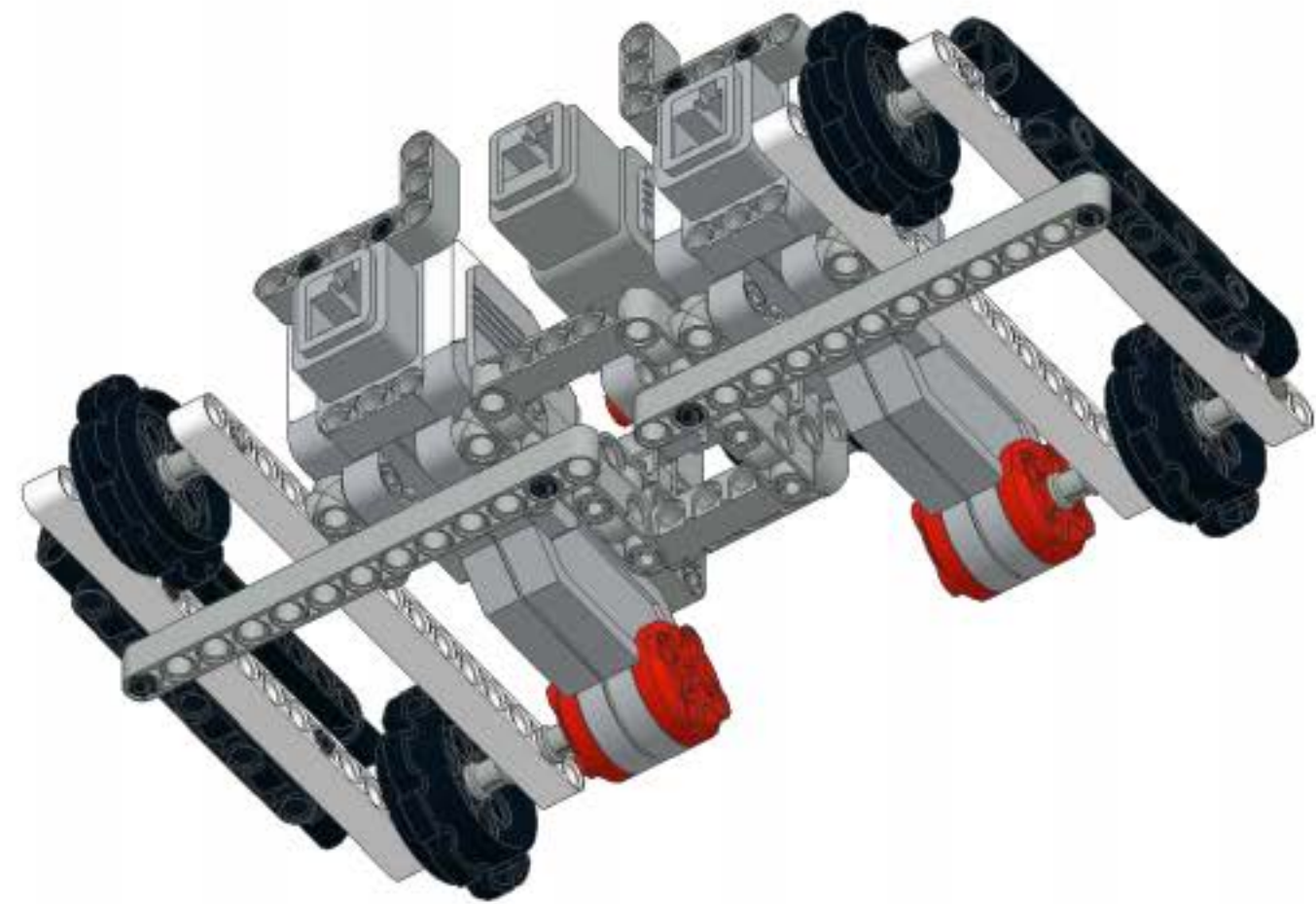


5

13

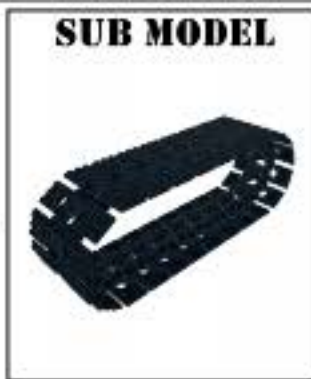


2x





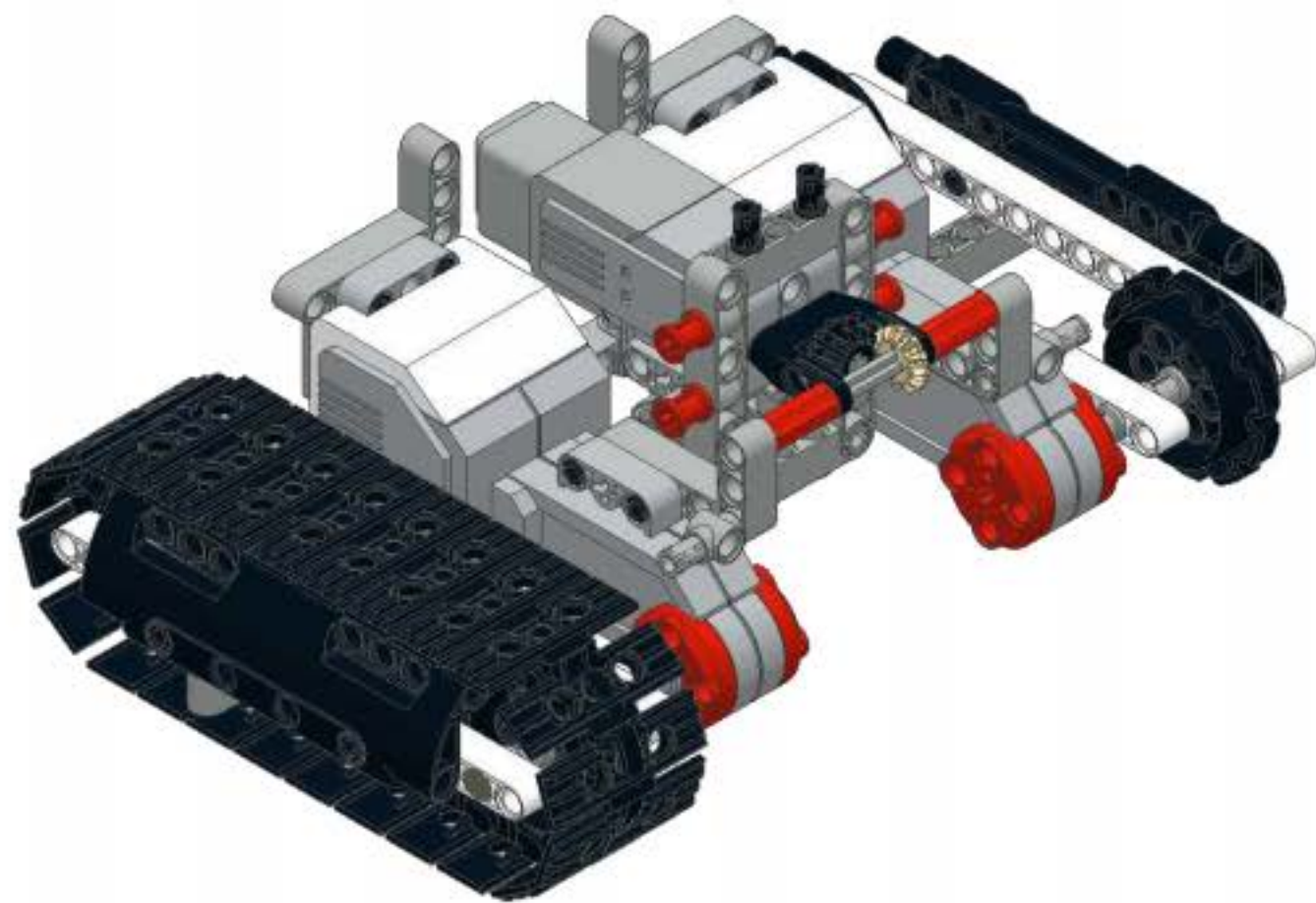
24x



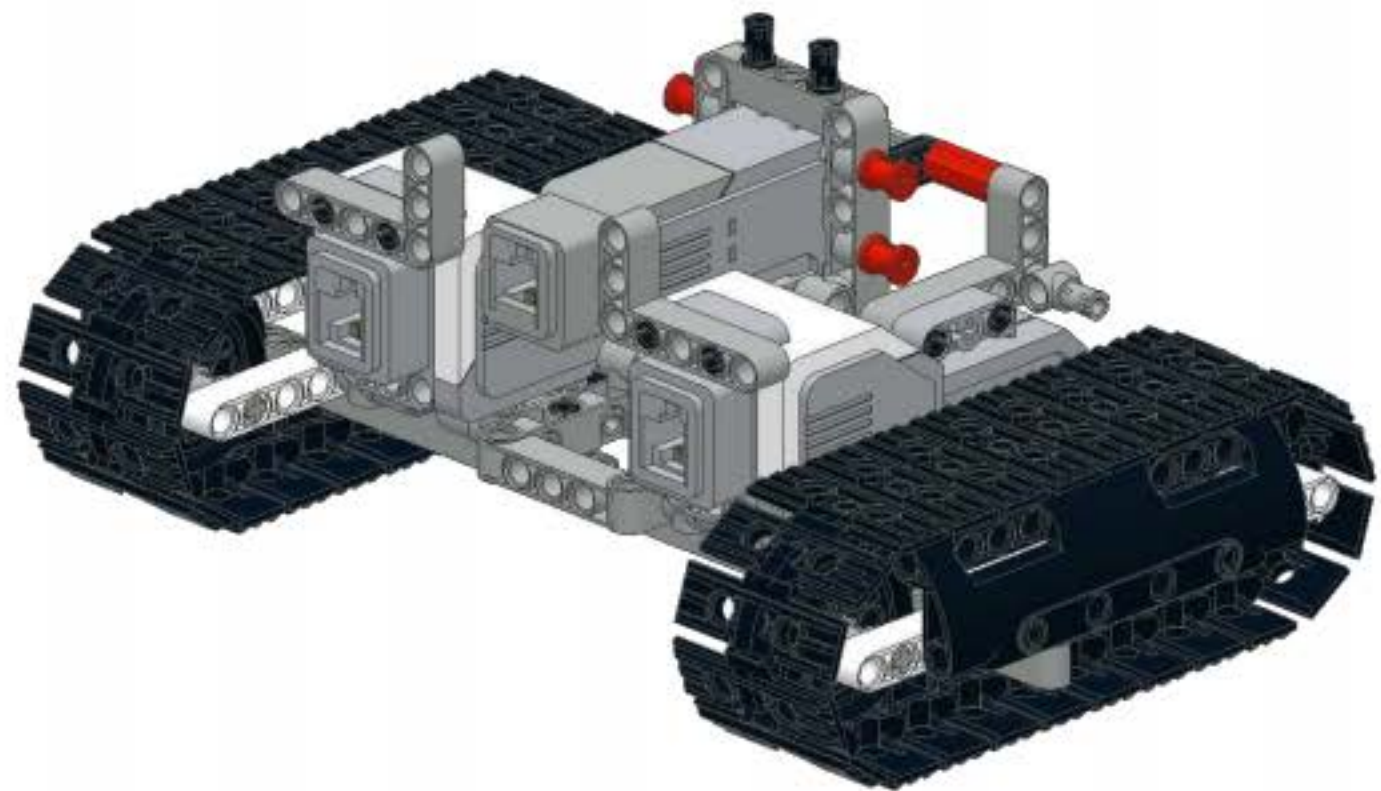
x2

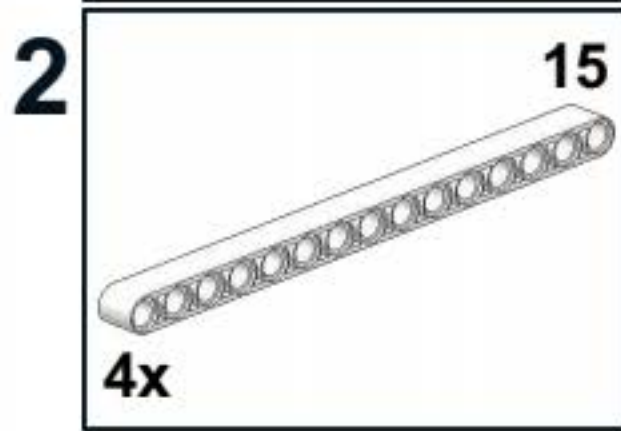
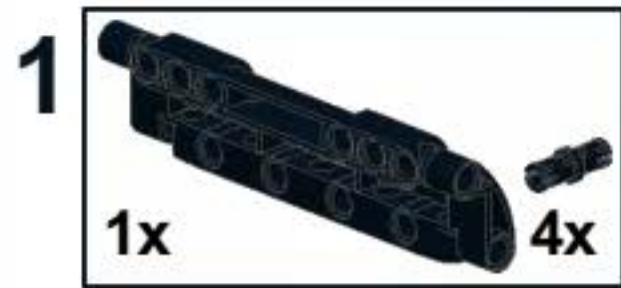
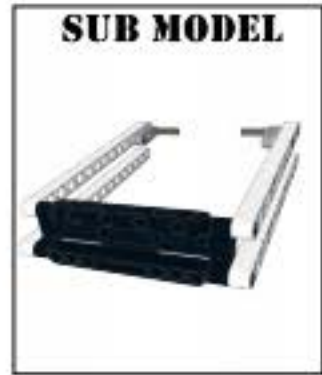


6



7

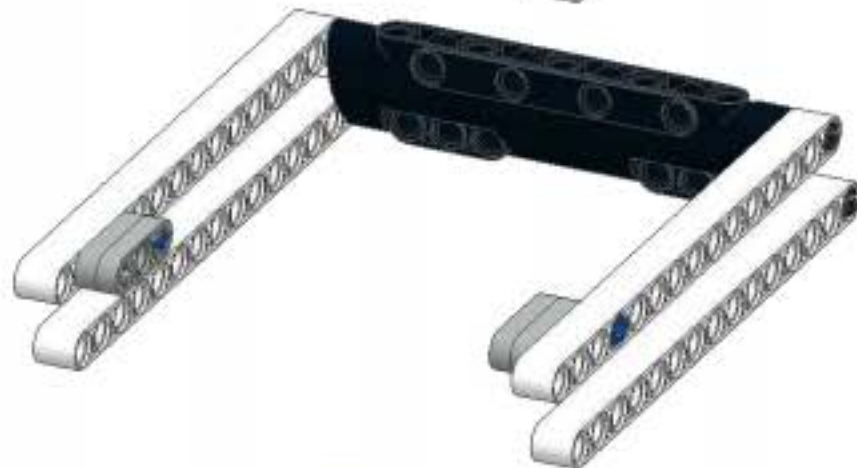




3  2x



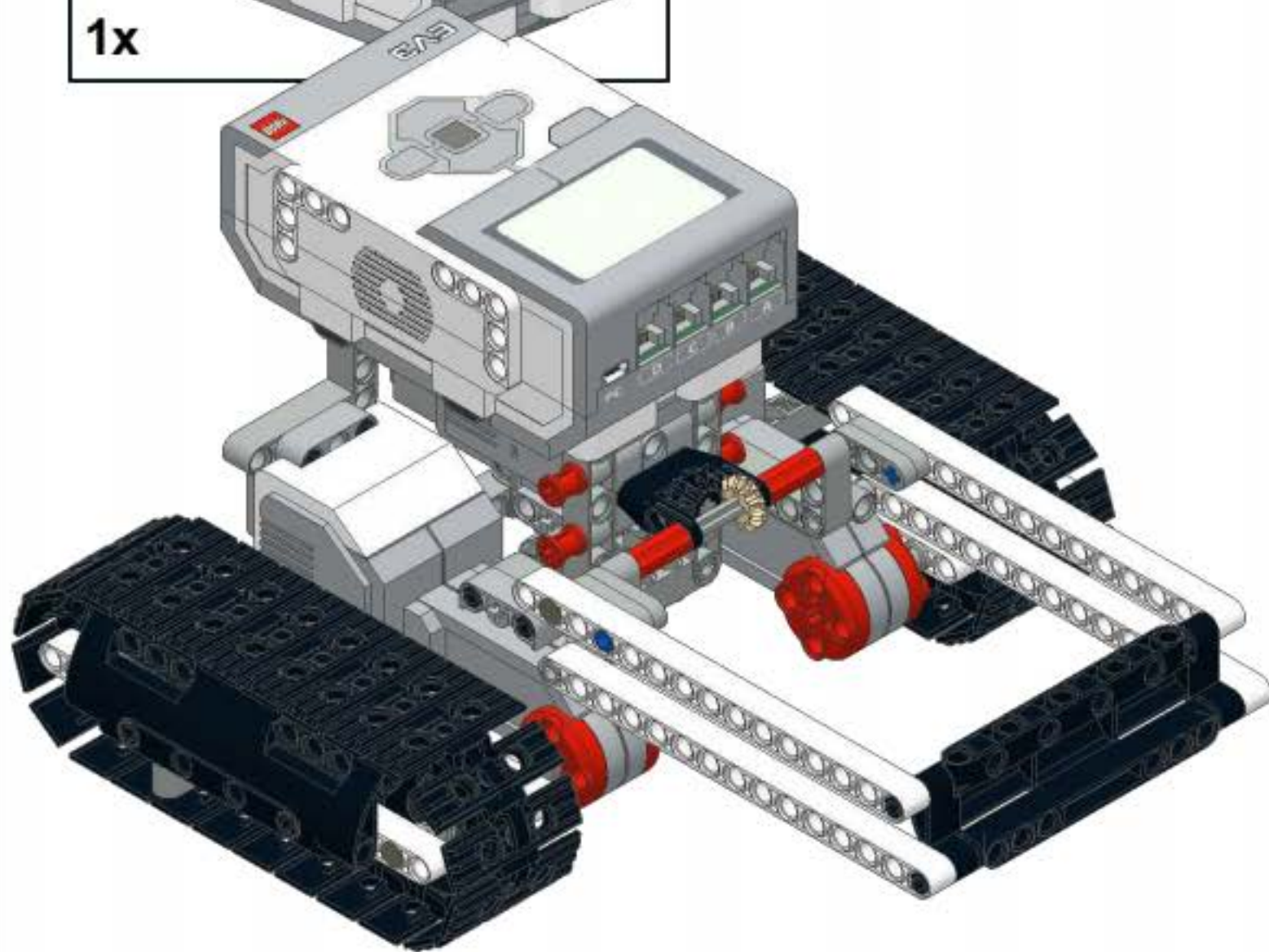
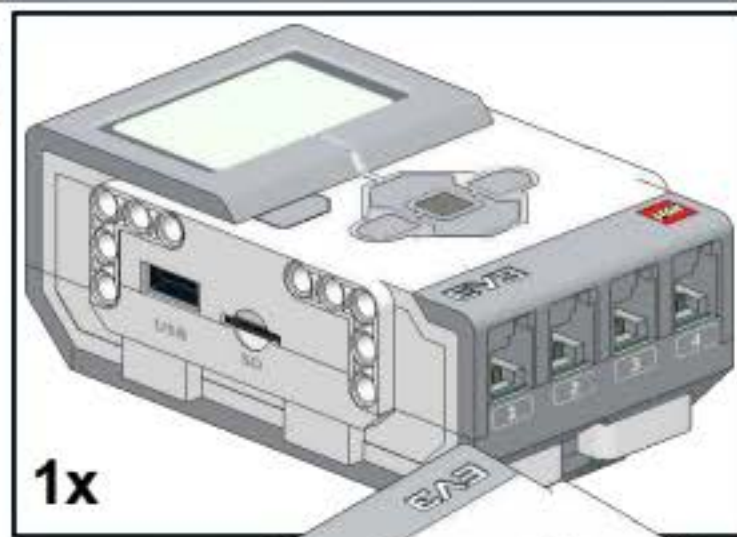
4  4x



5  4
2x



9



The Program



Remember that if the power for two motors is different this will make the robot turn. Can you make the bulldozer clean up some lego in the pattern below?

