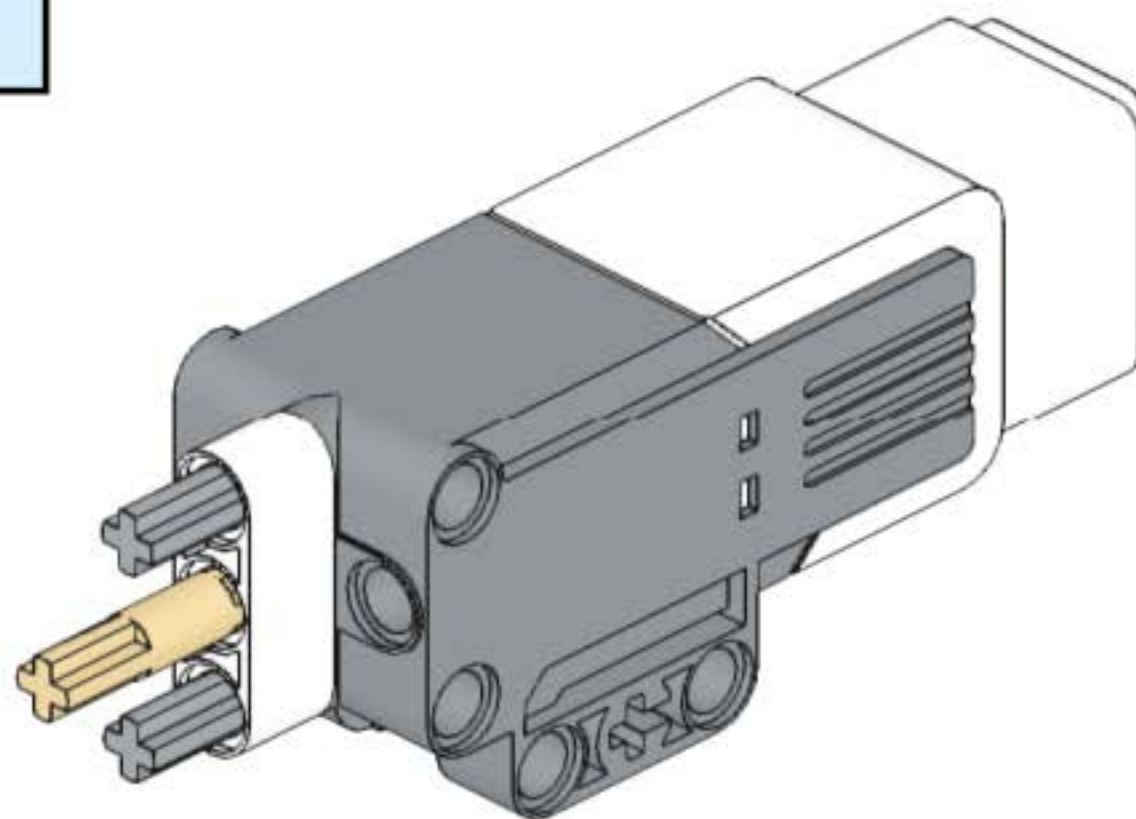
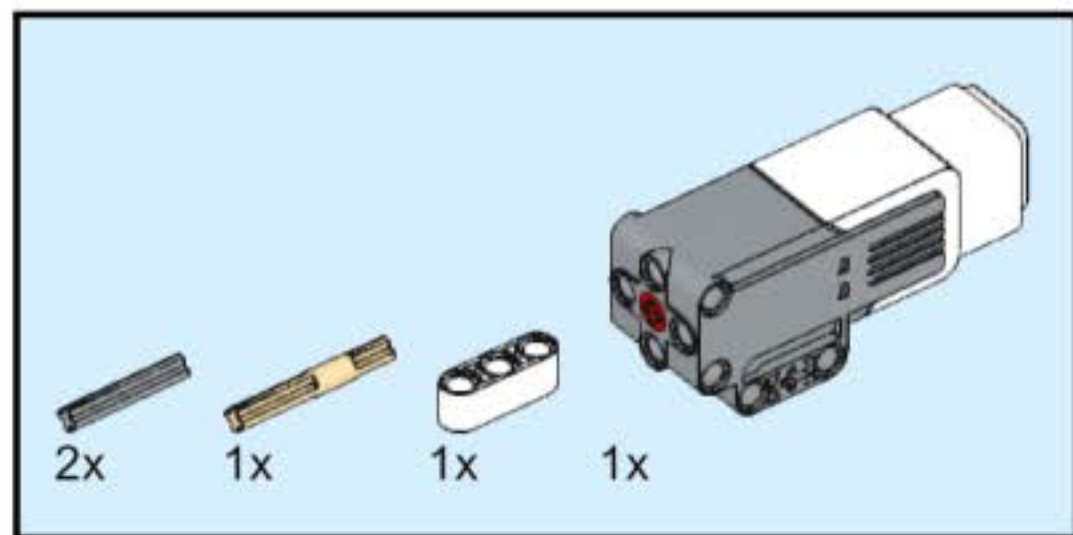
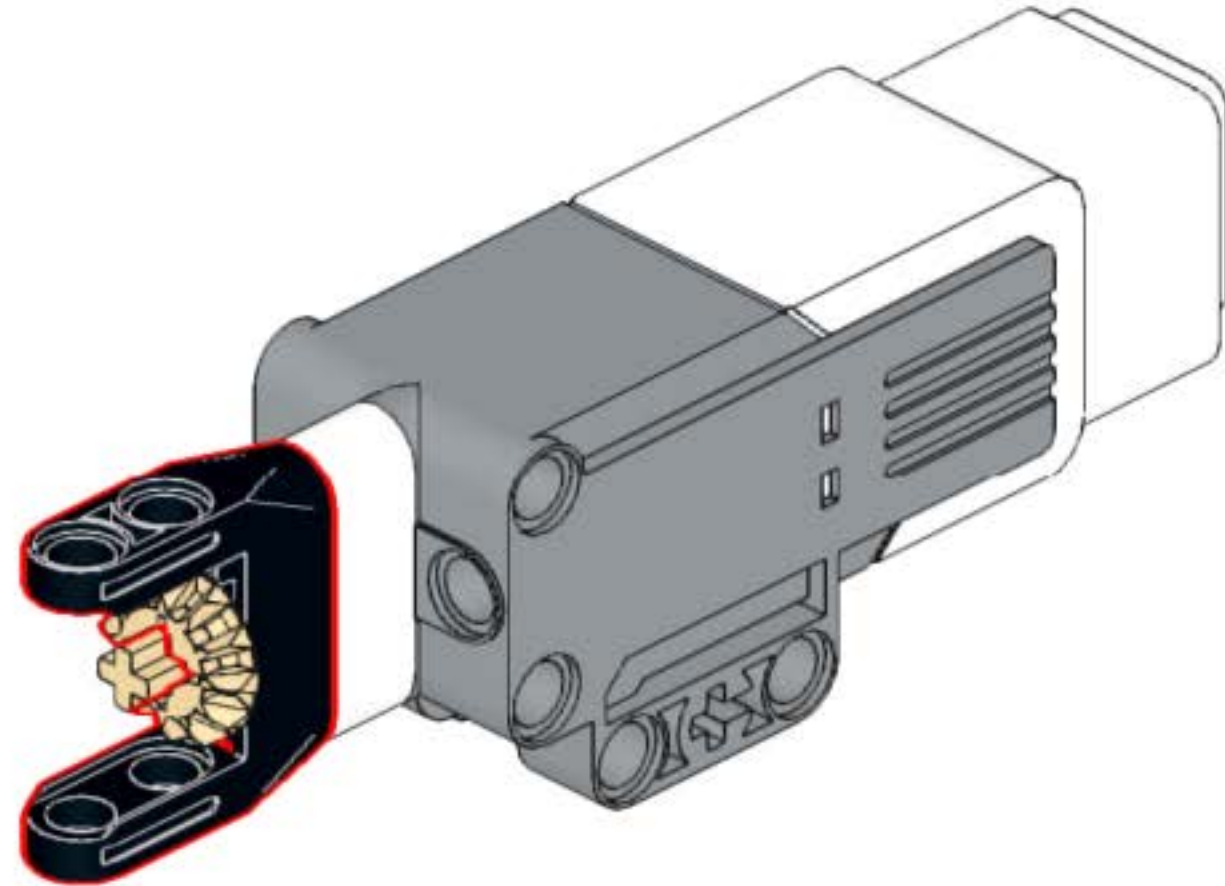
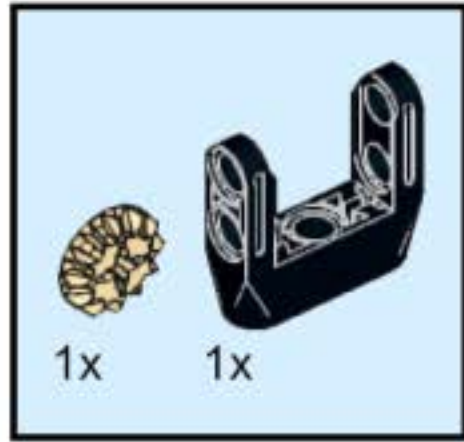




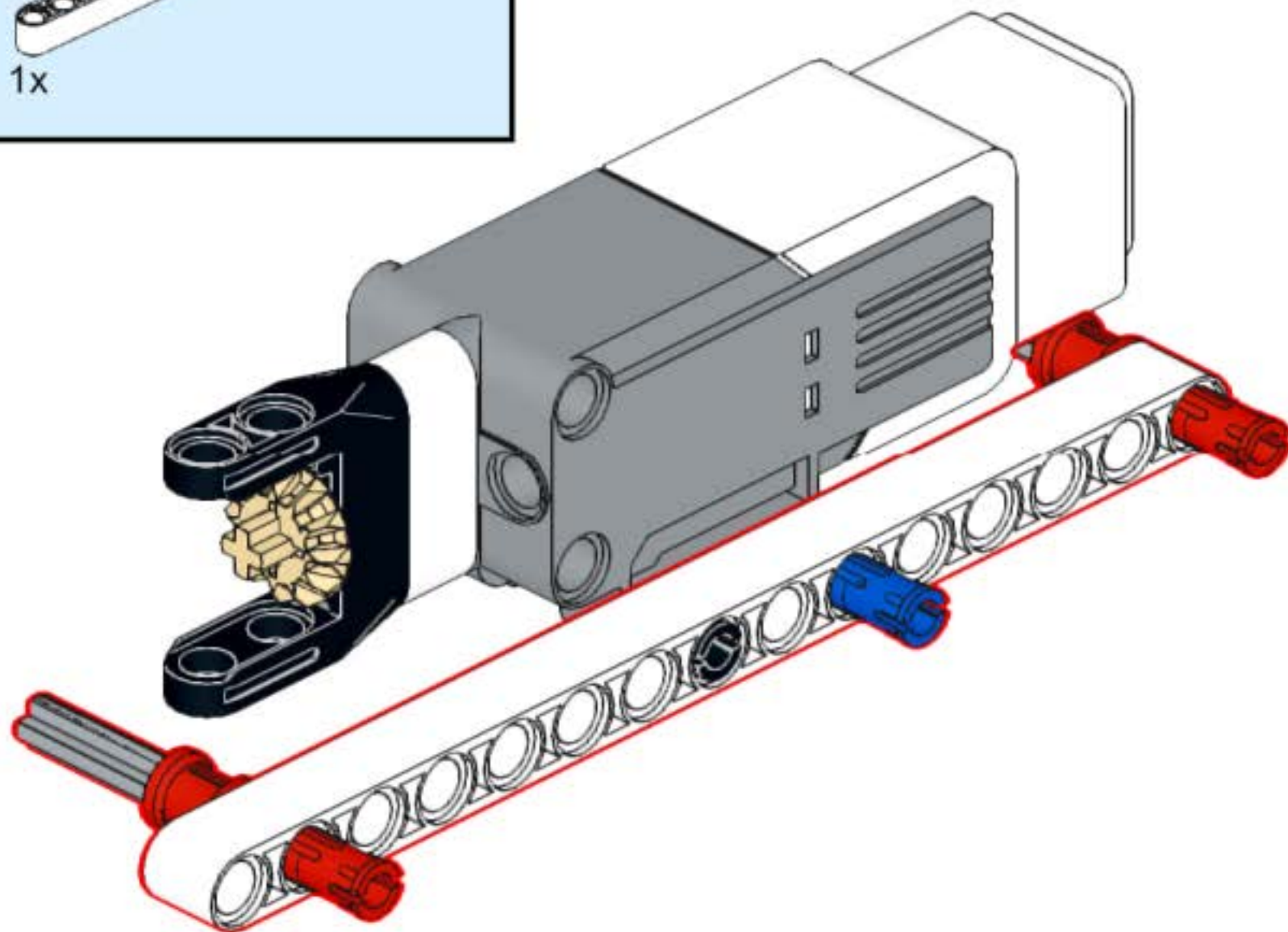
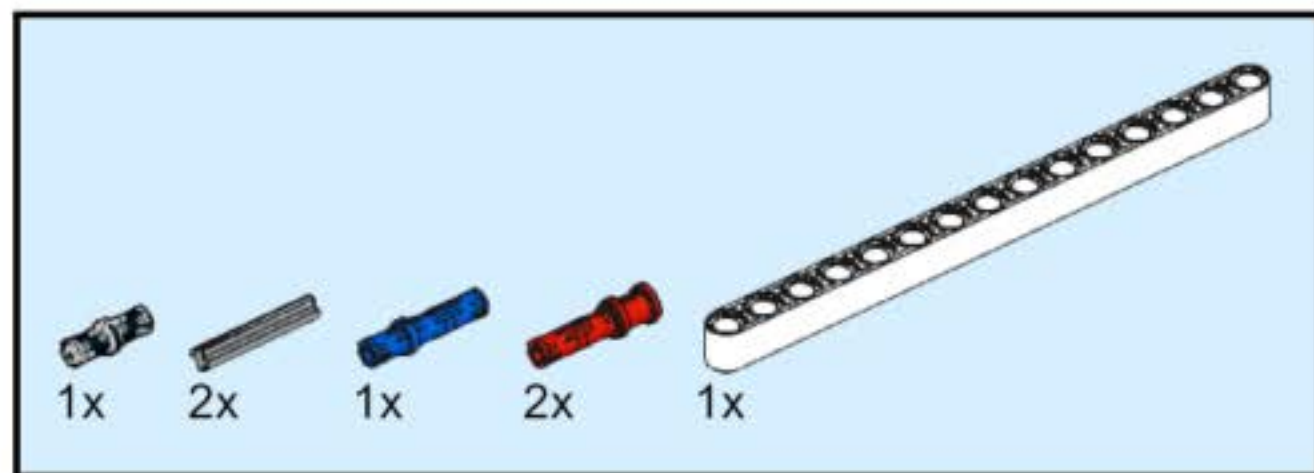
1



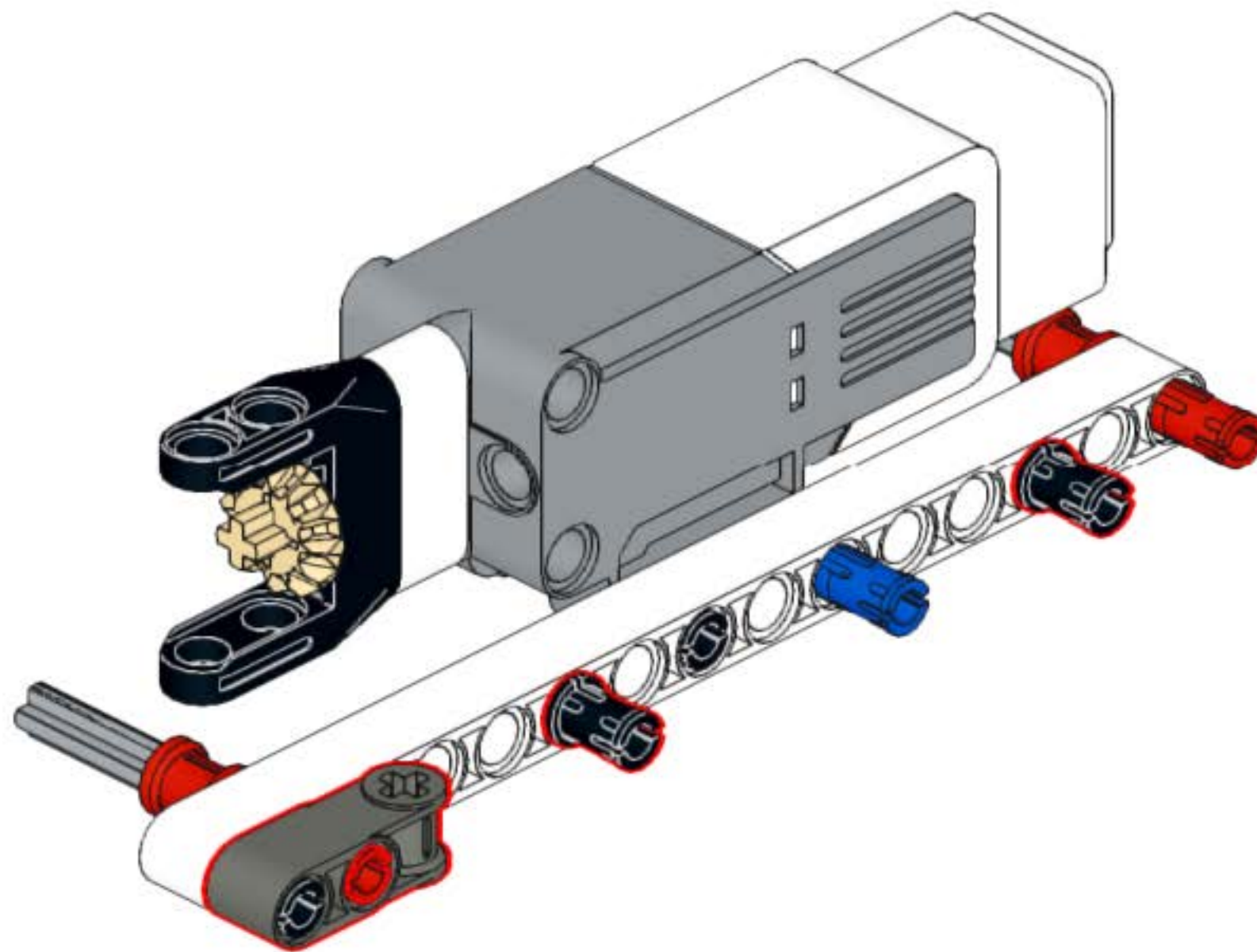
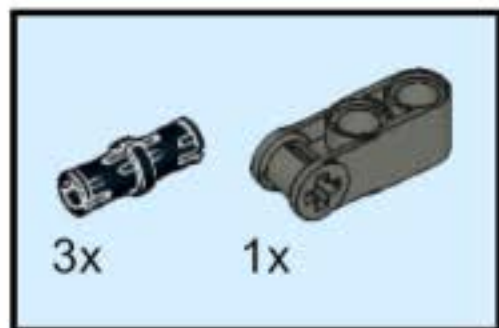
2



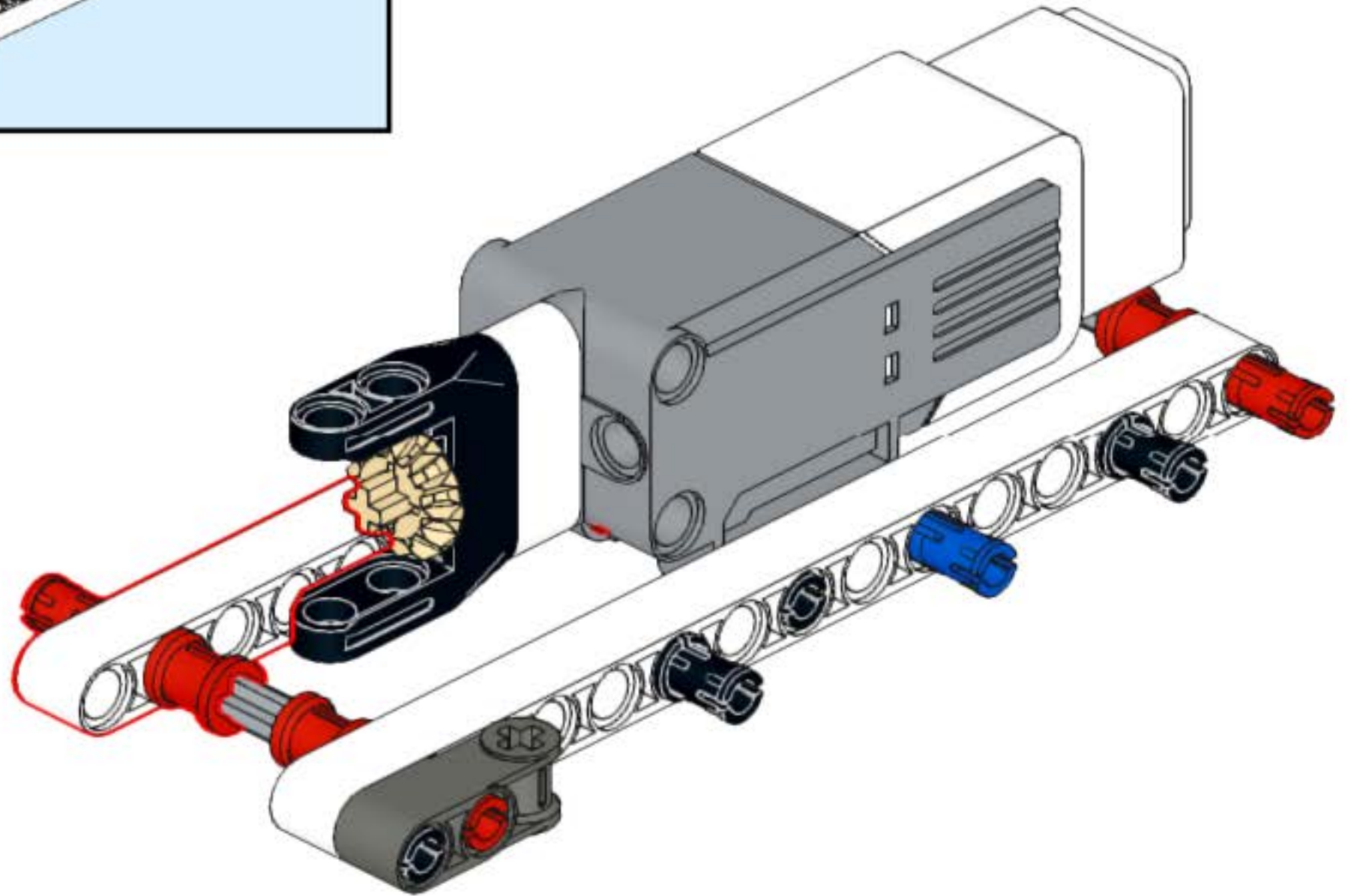
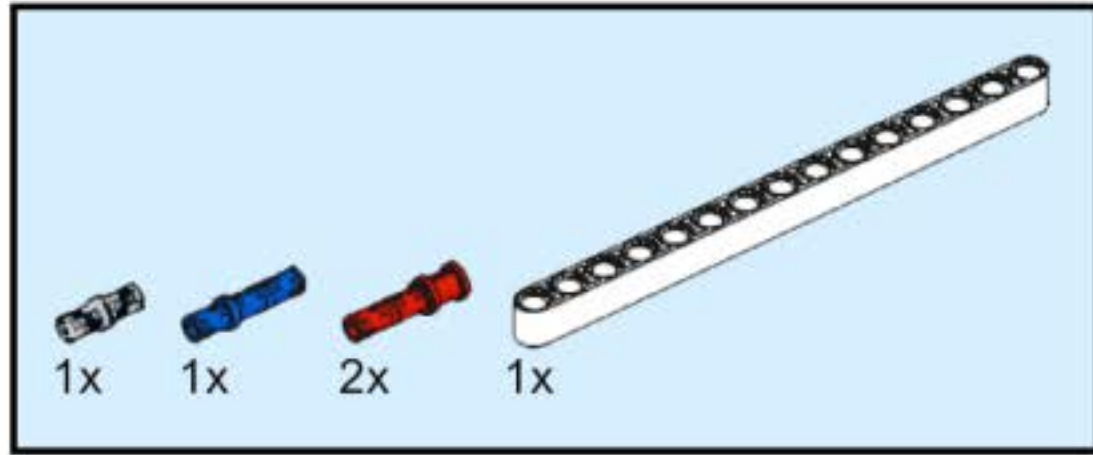
3



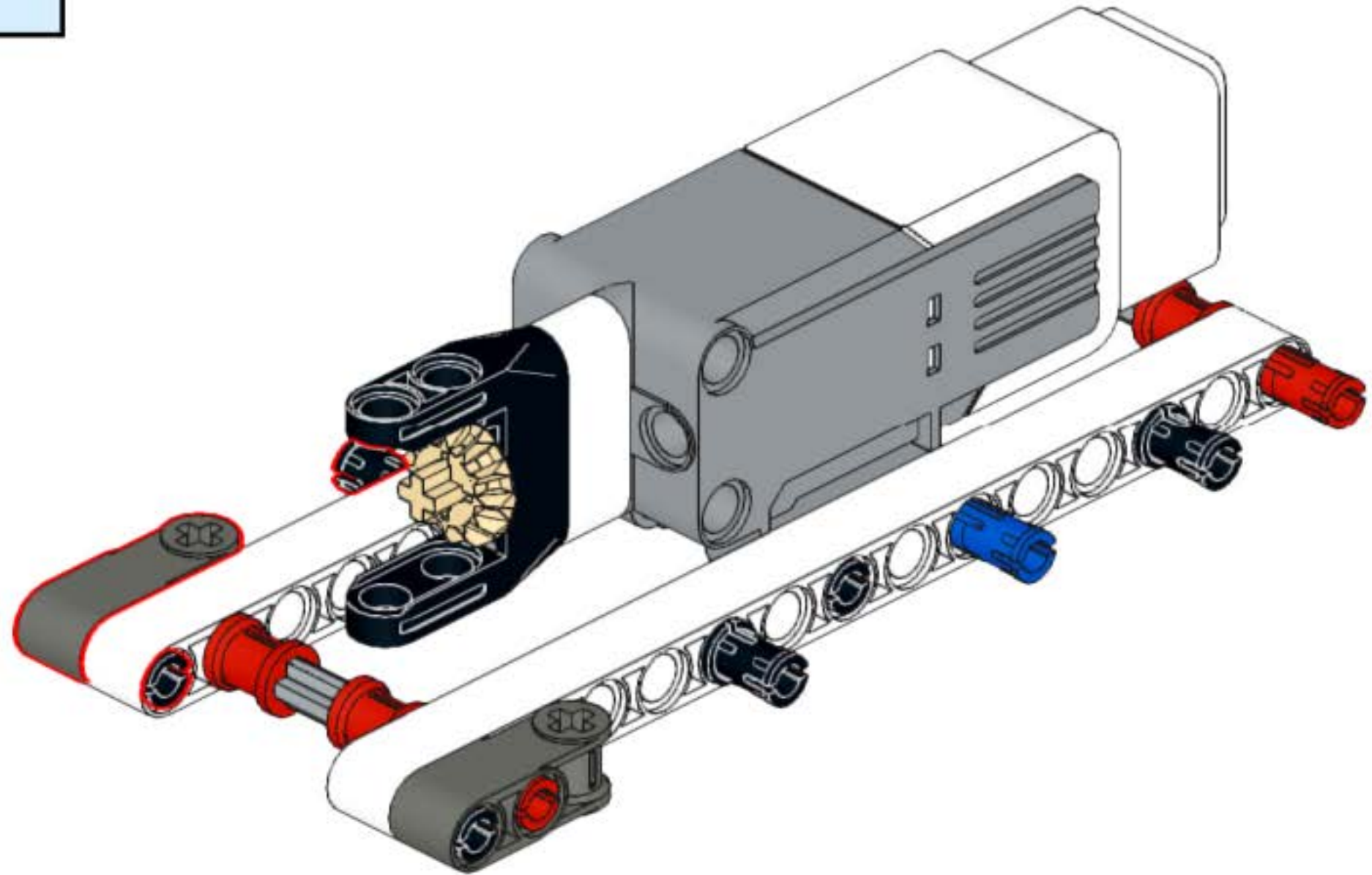
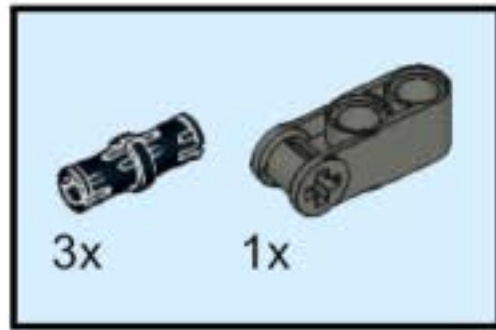
4



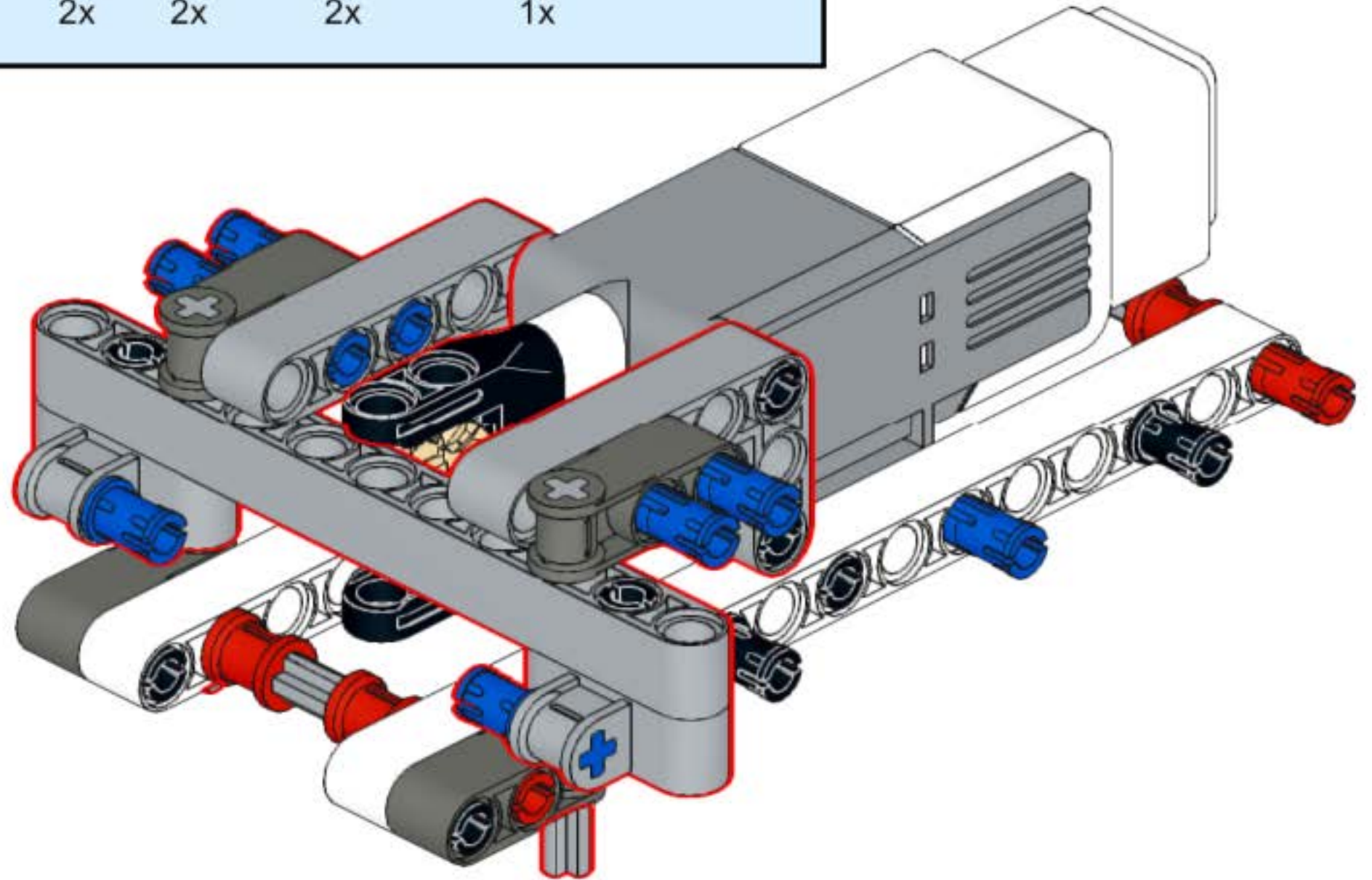
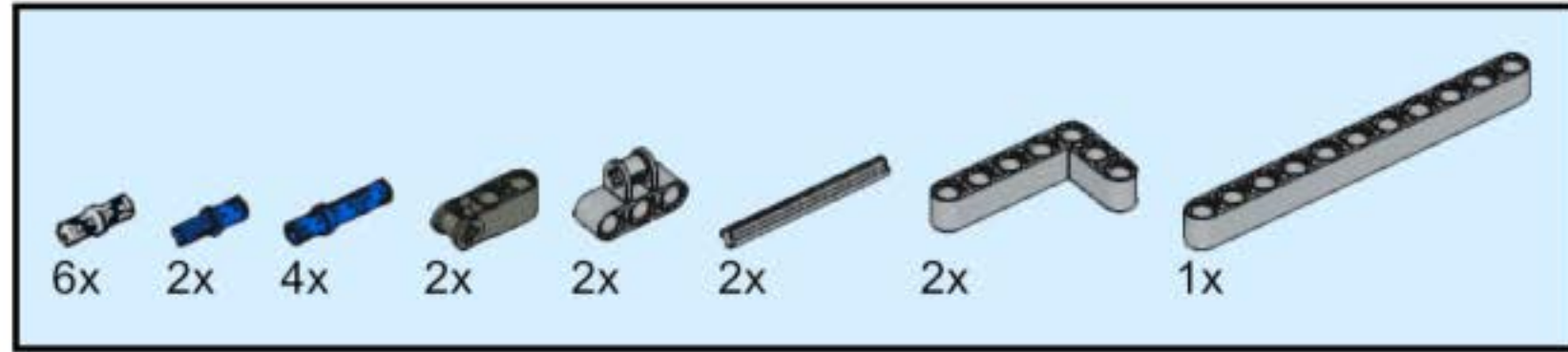
5



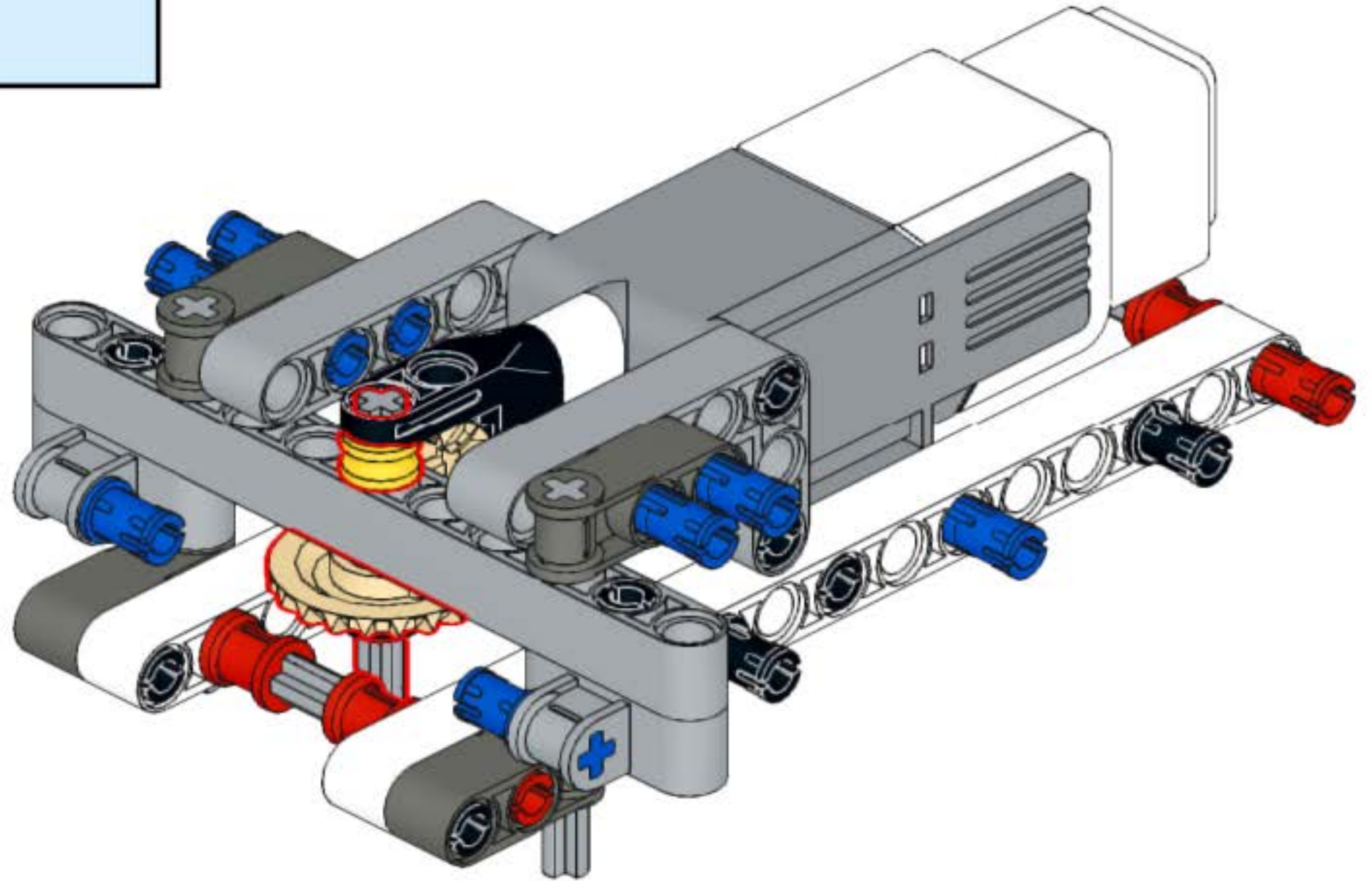
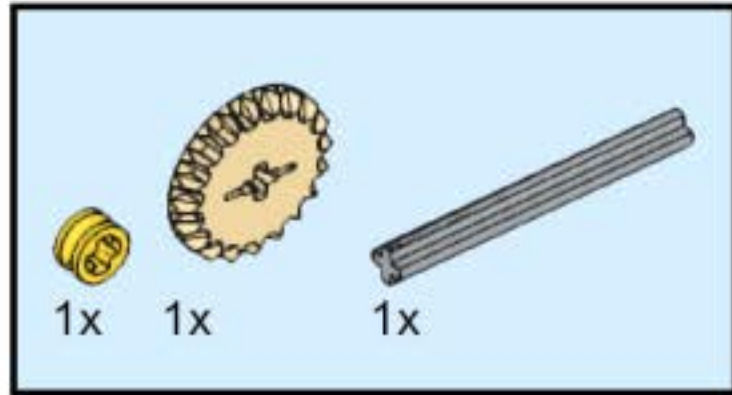
6



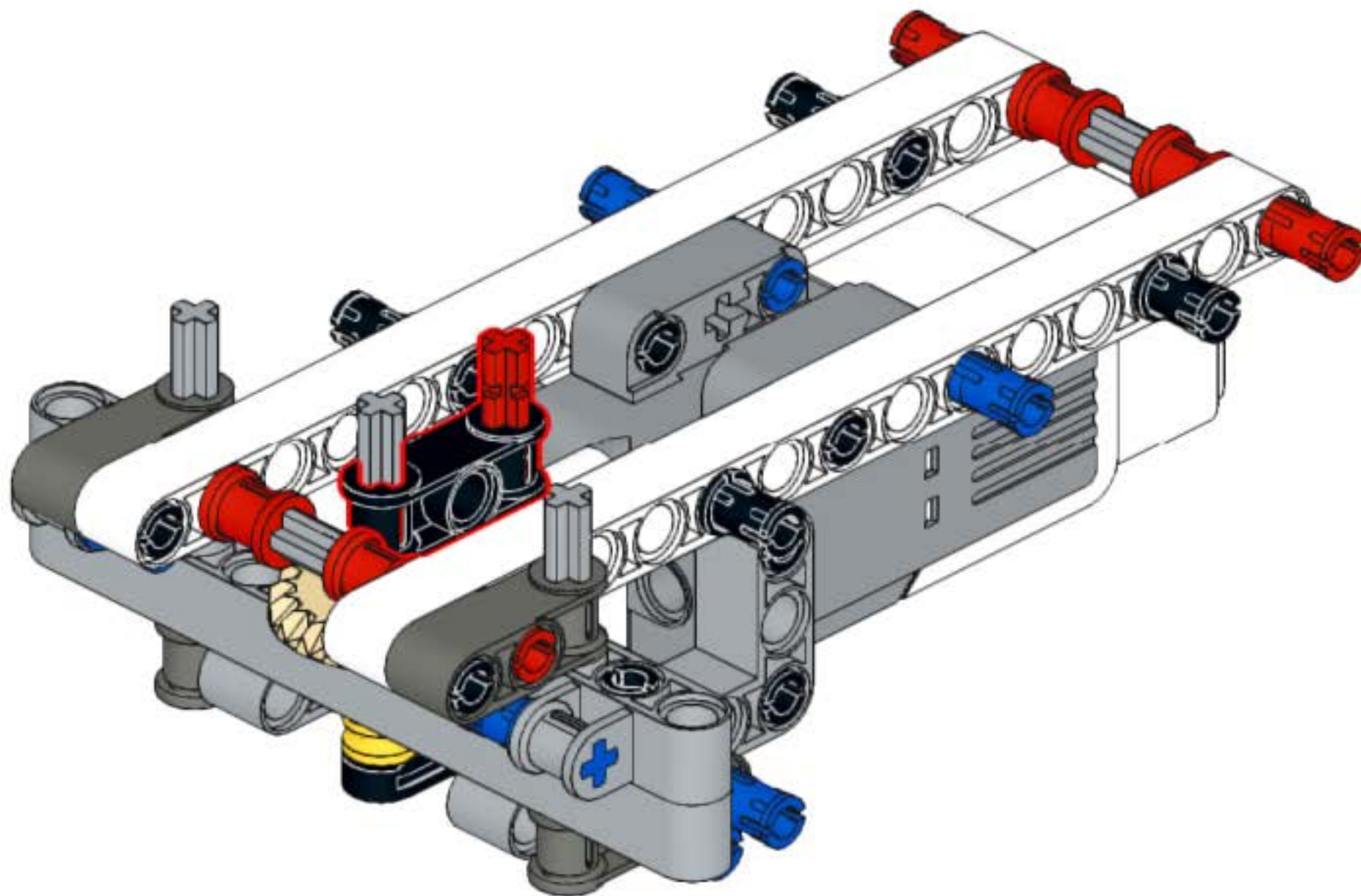
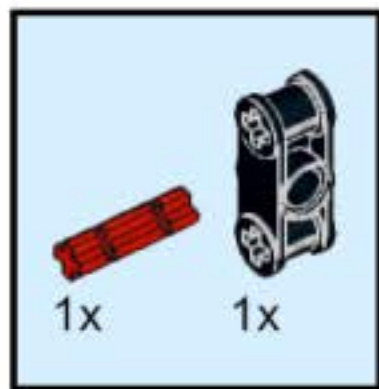
7



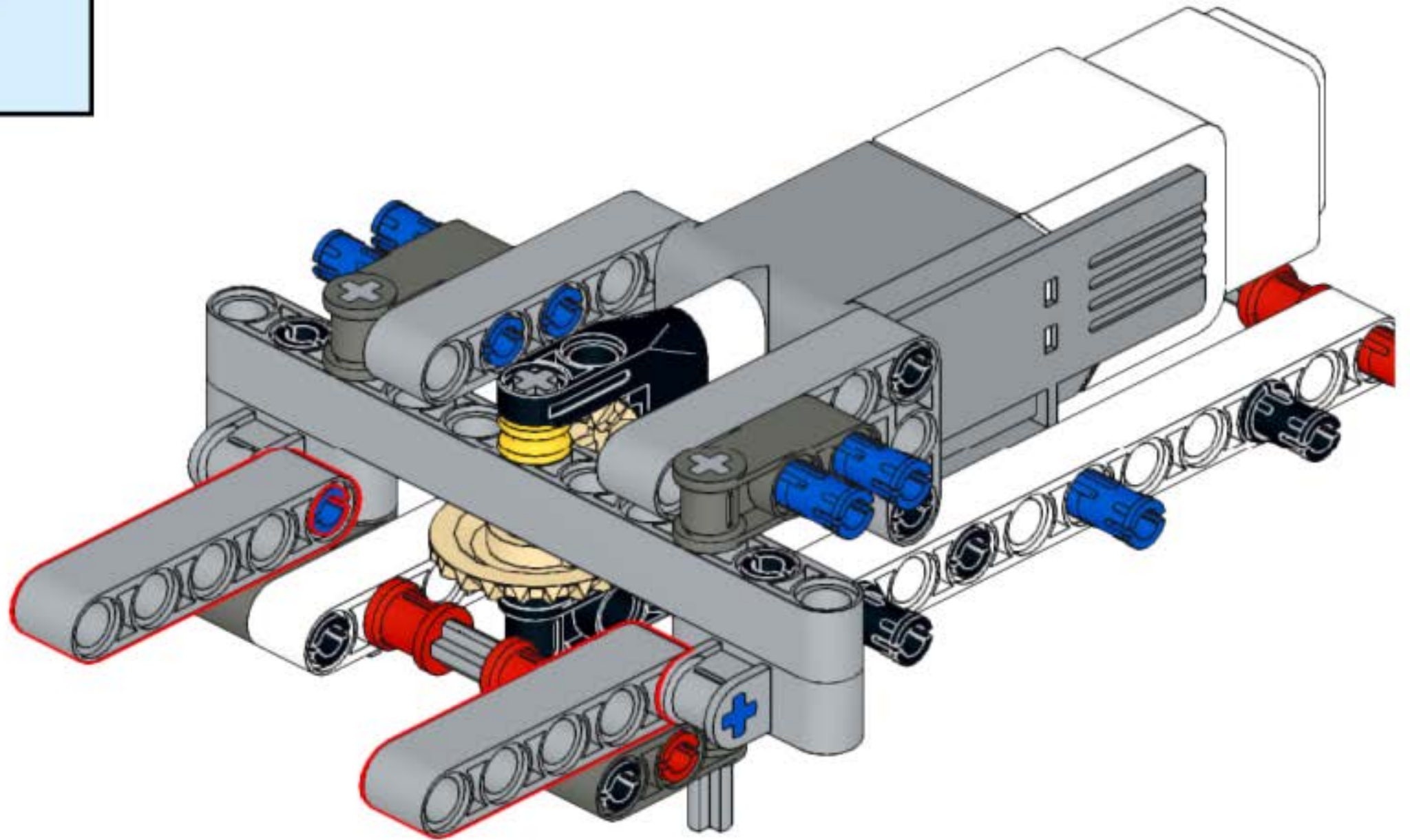
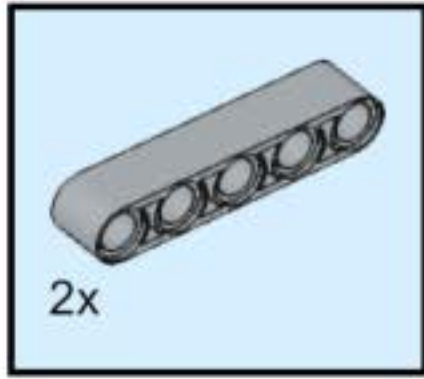
8



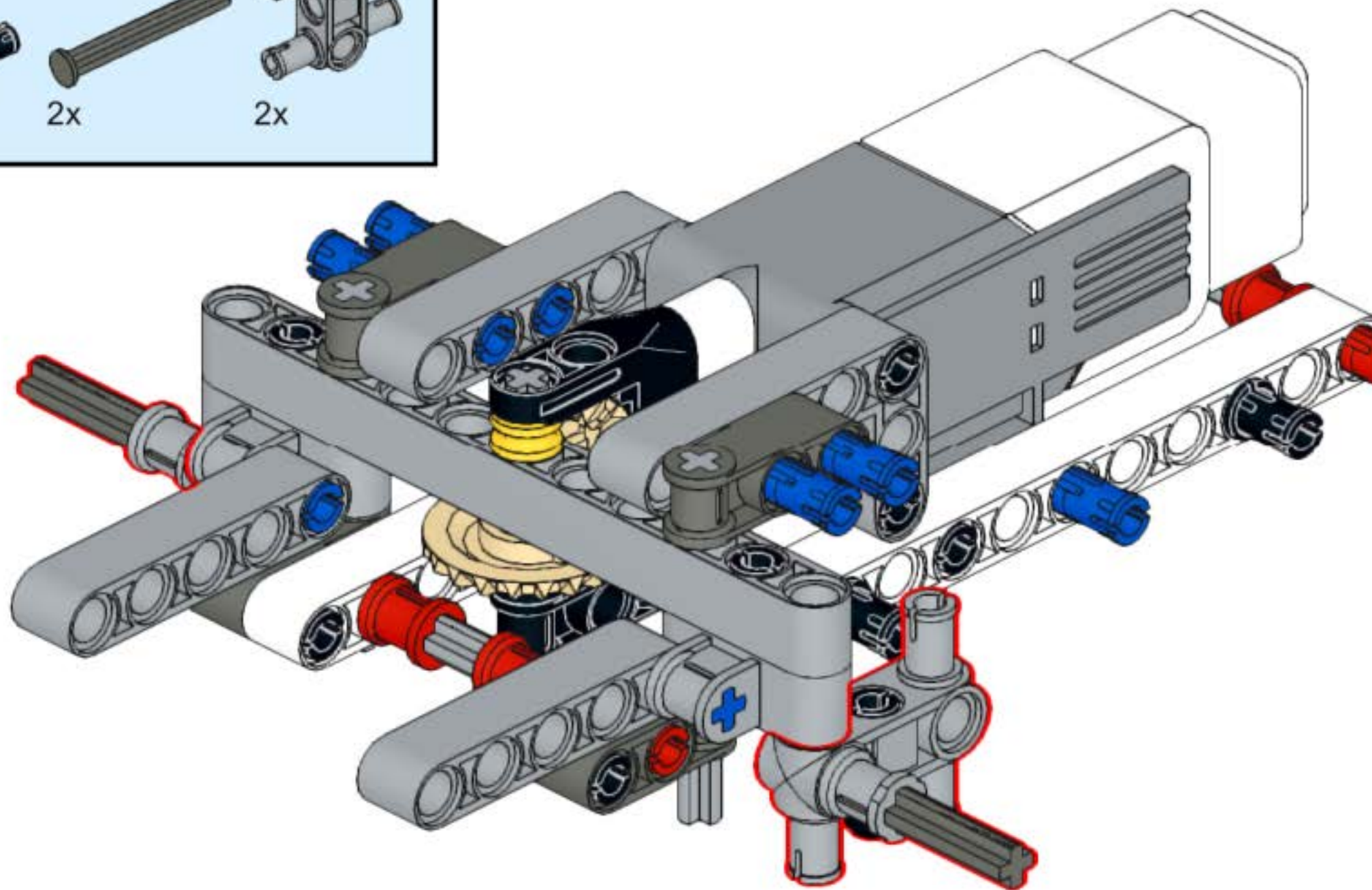
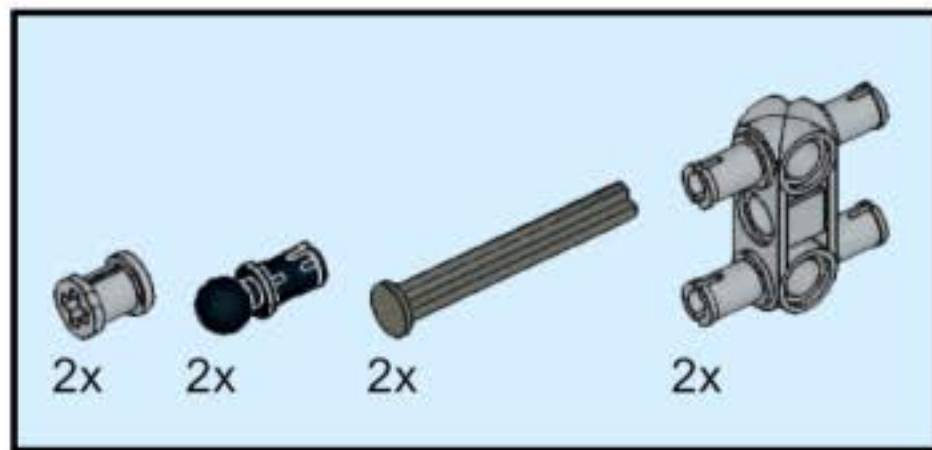
9



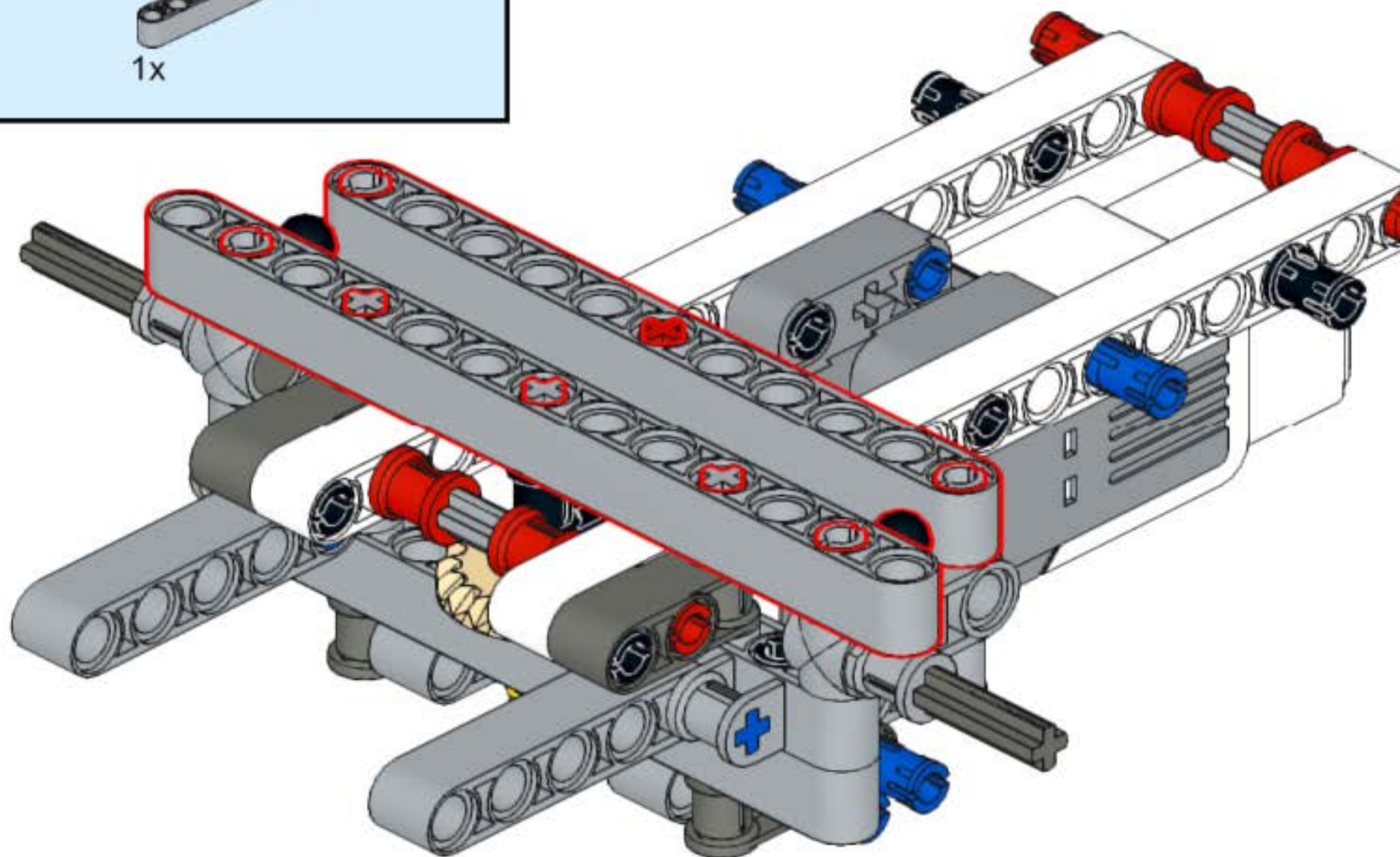
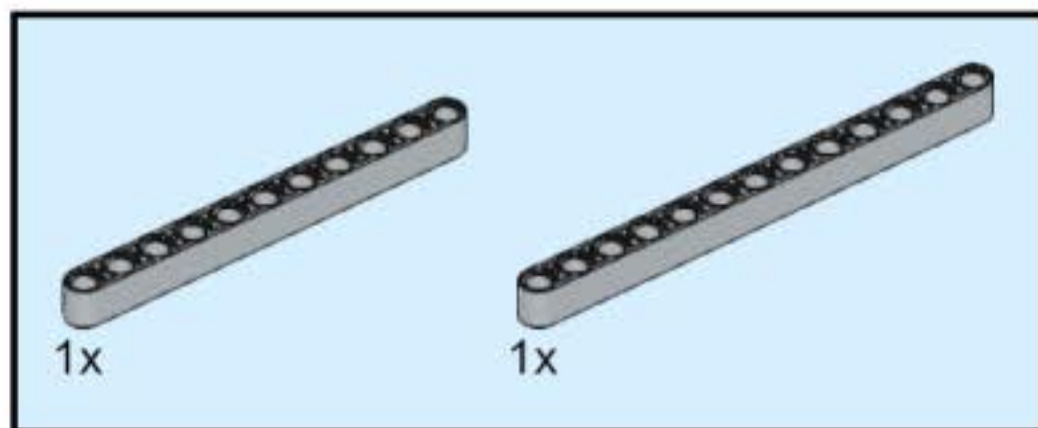
10



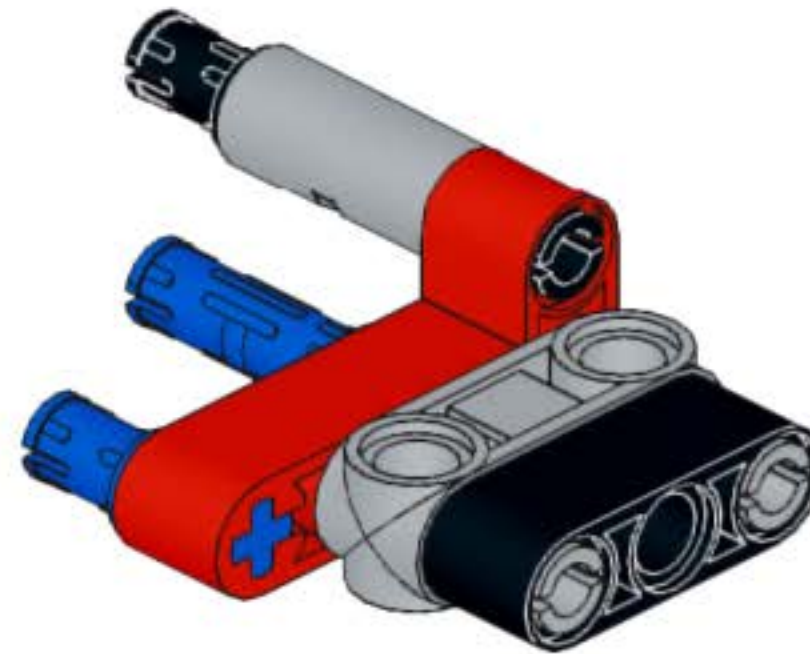
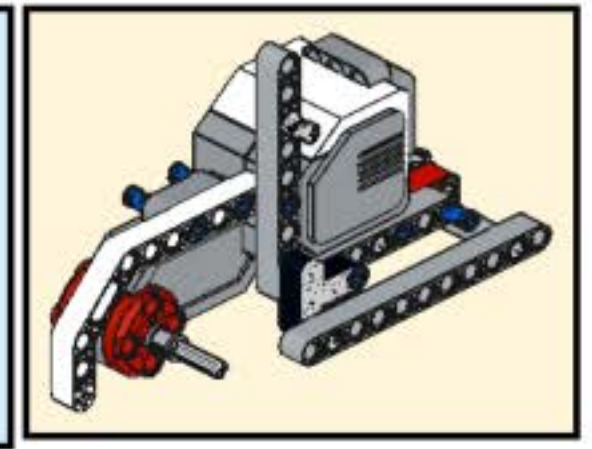
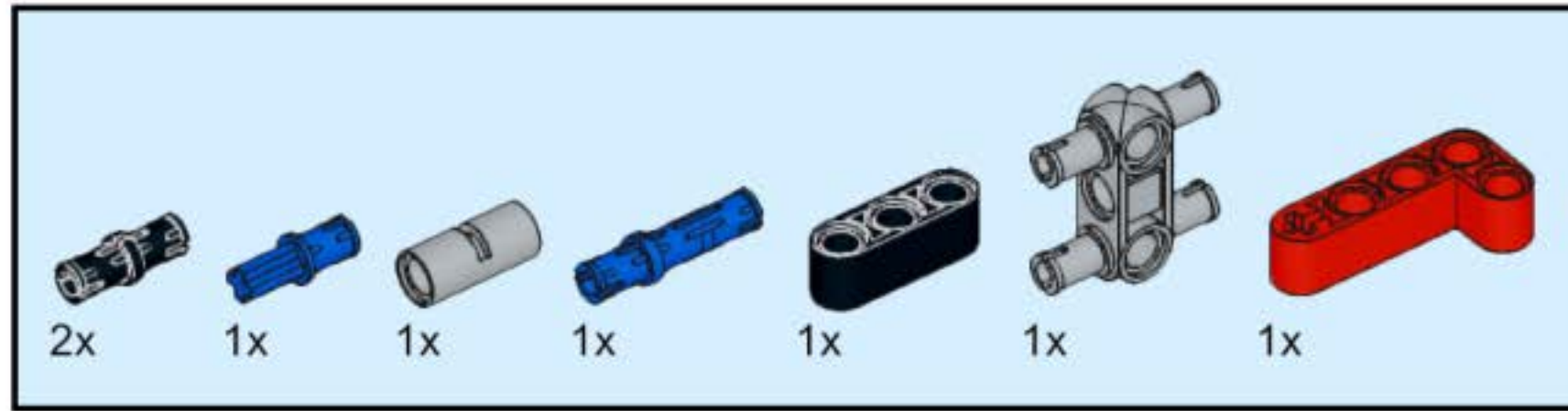
11



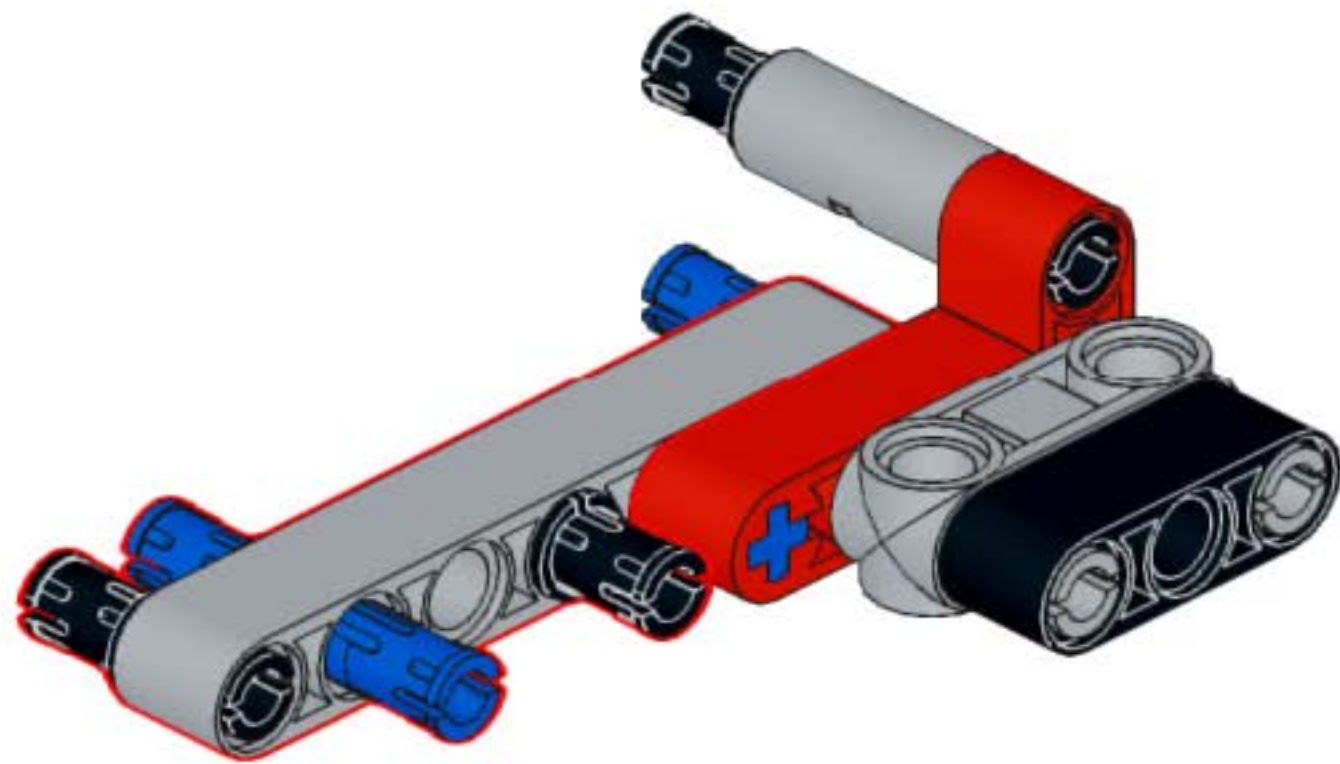
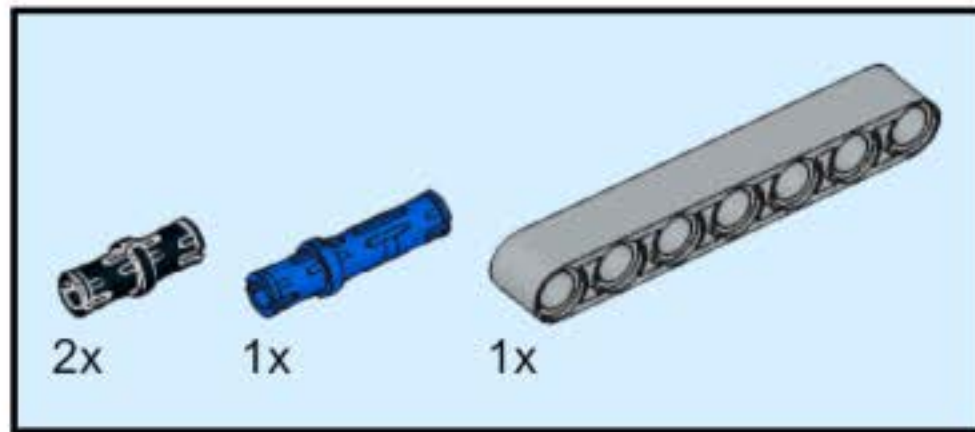
12



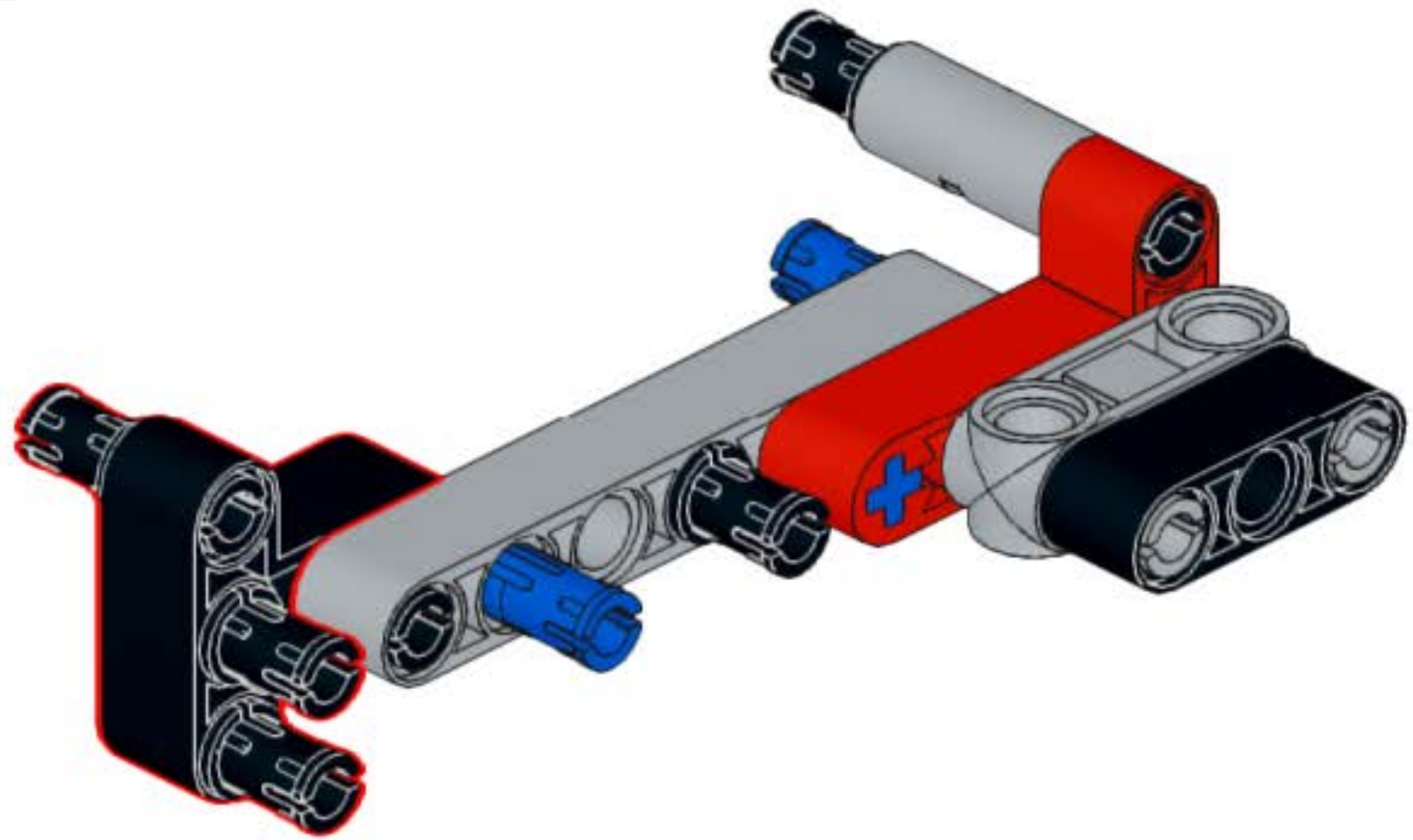
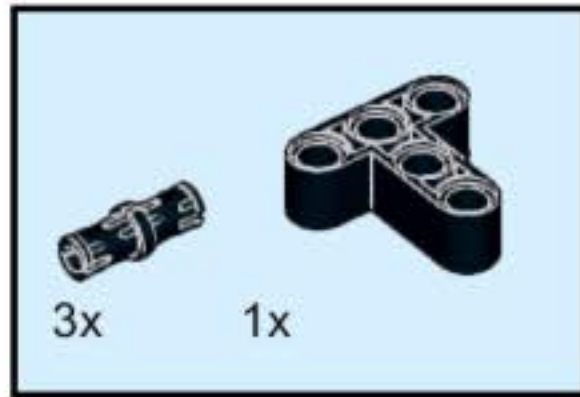
13



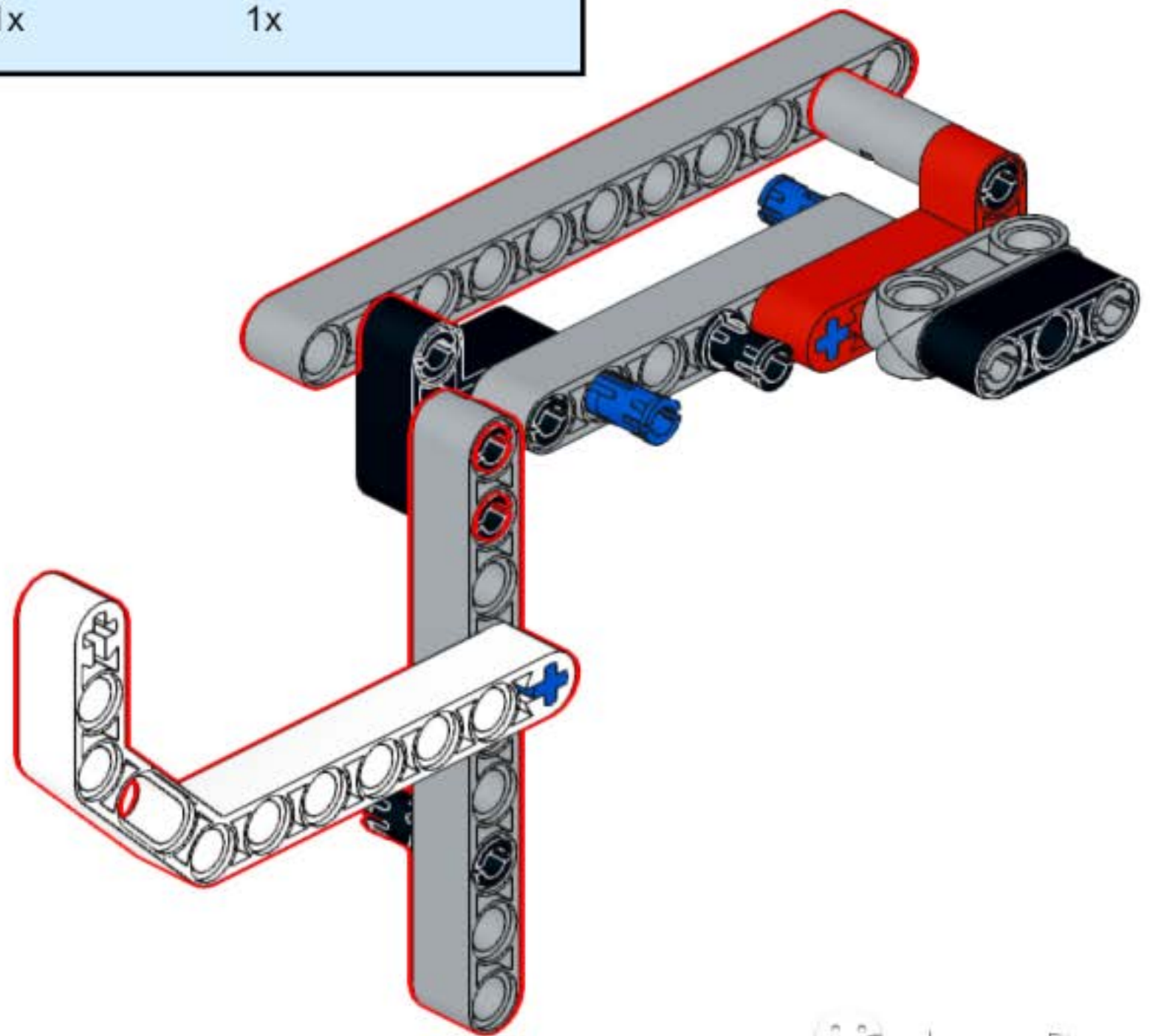
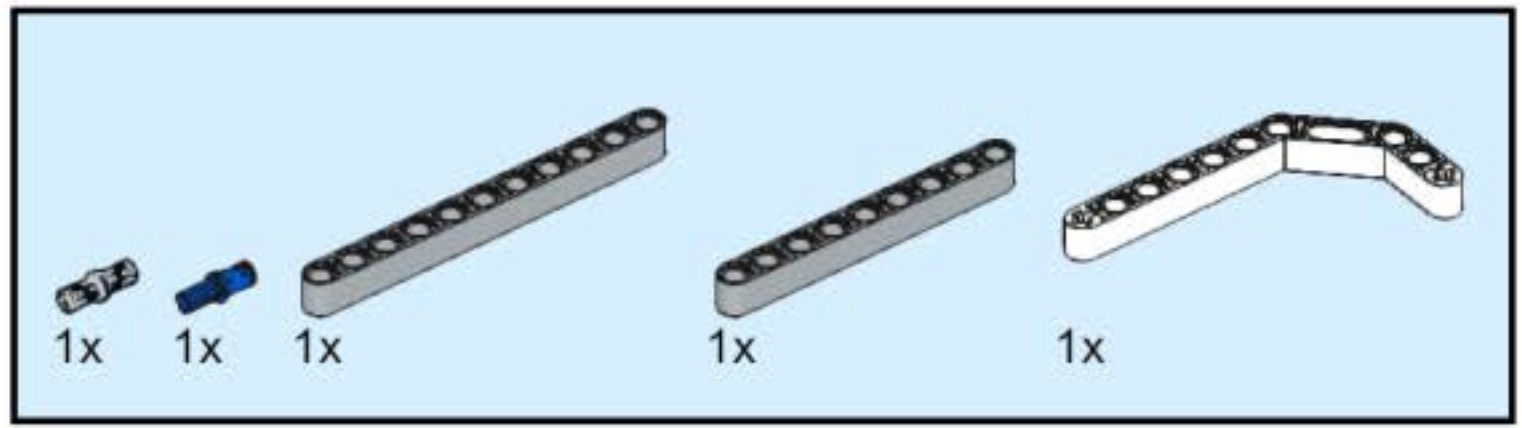
14



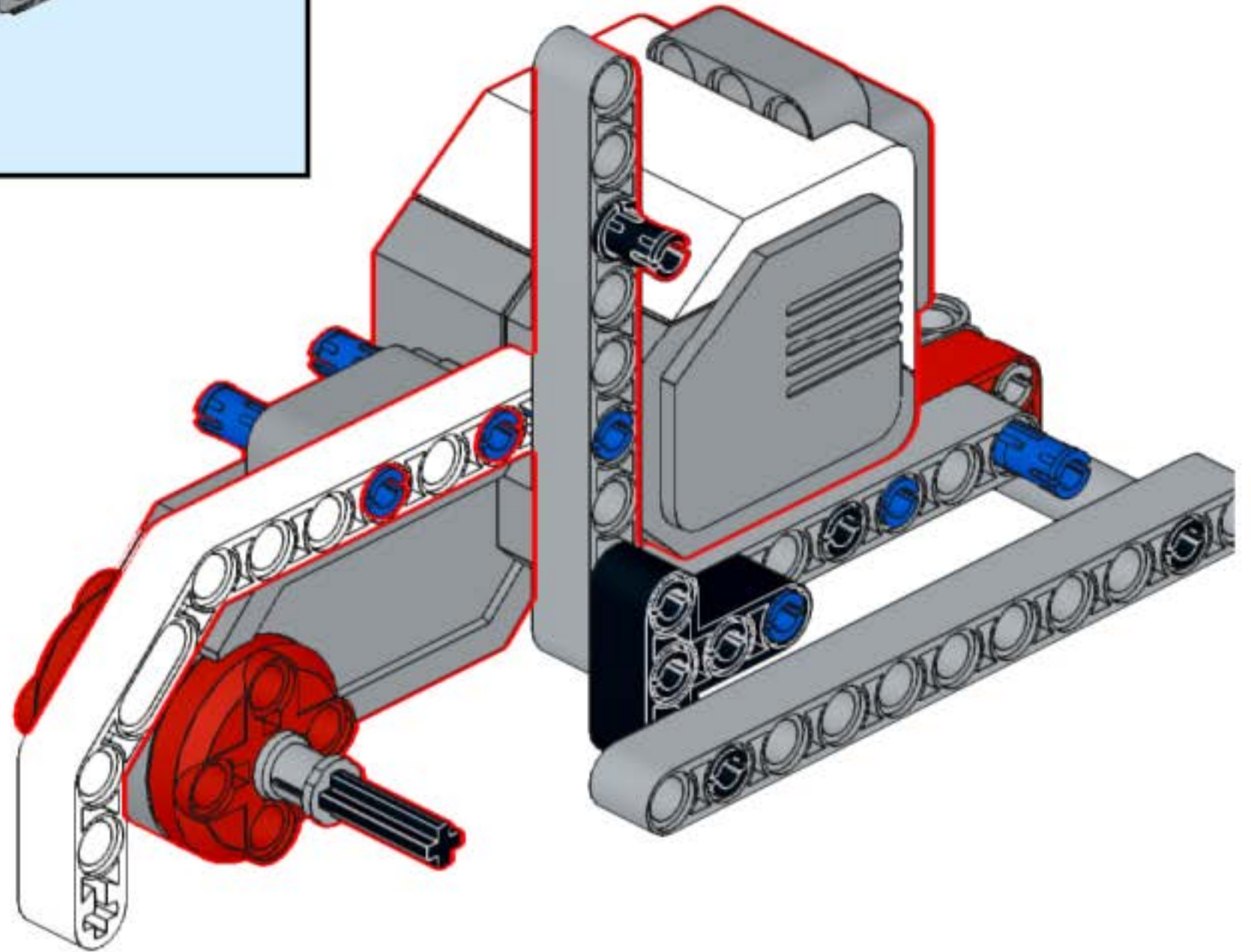
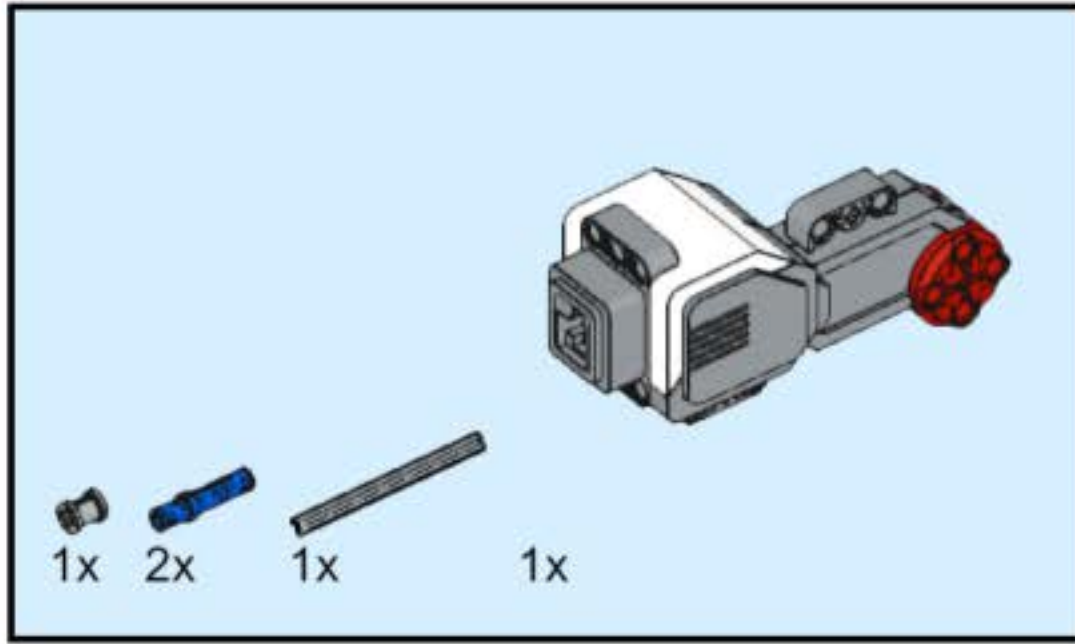
15



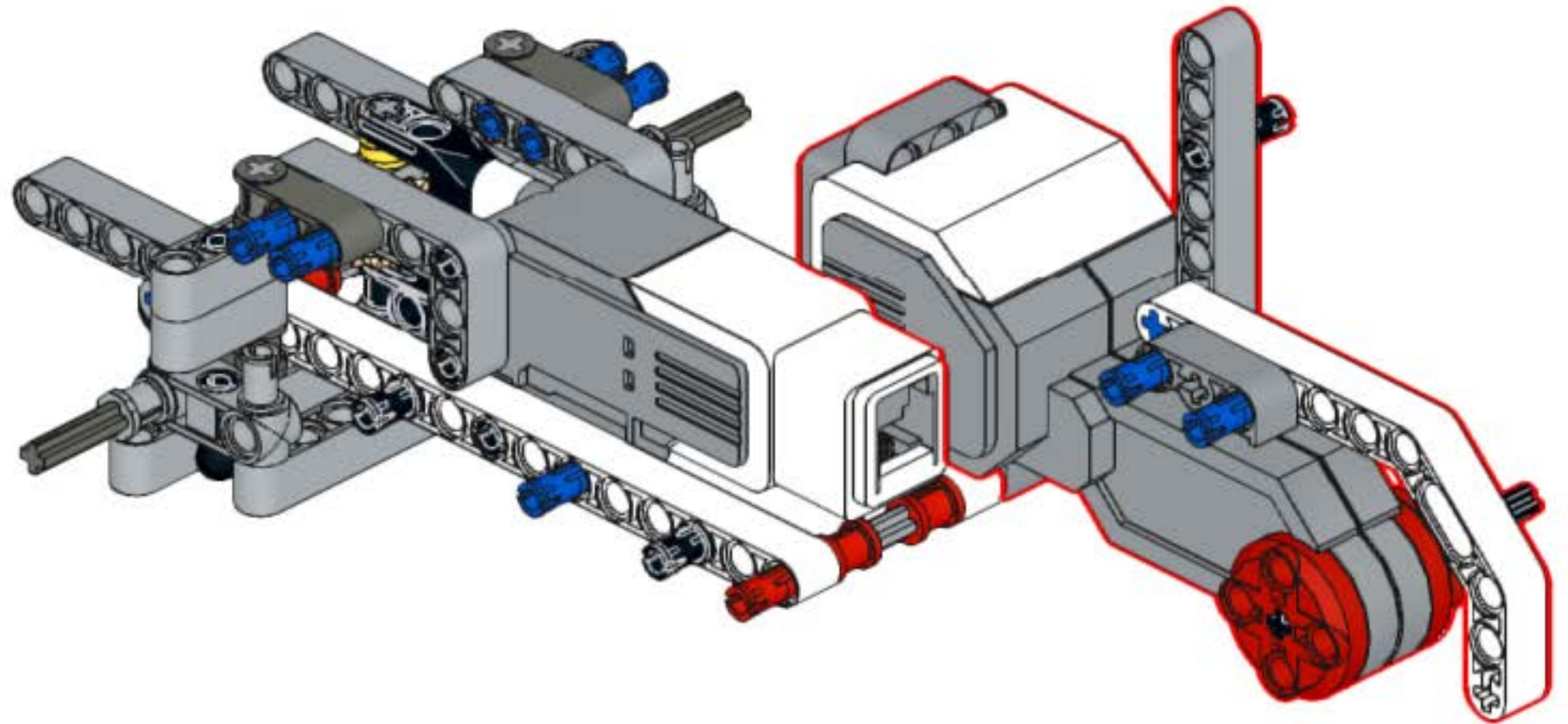
16



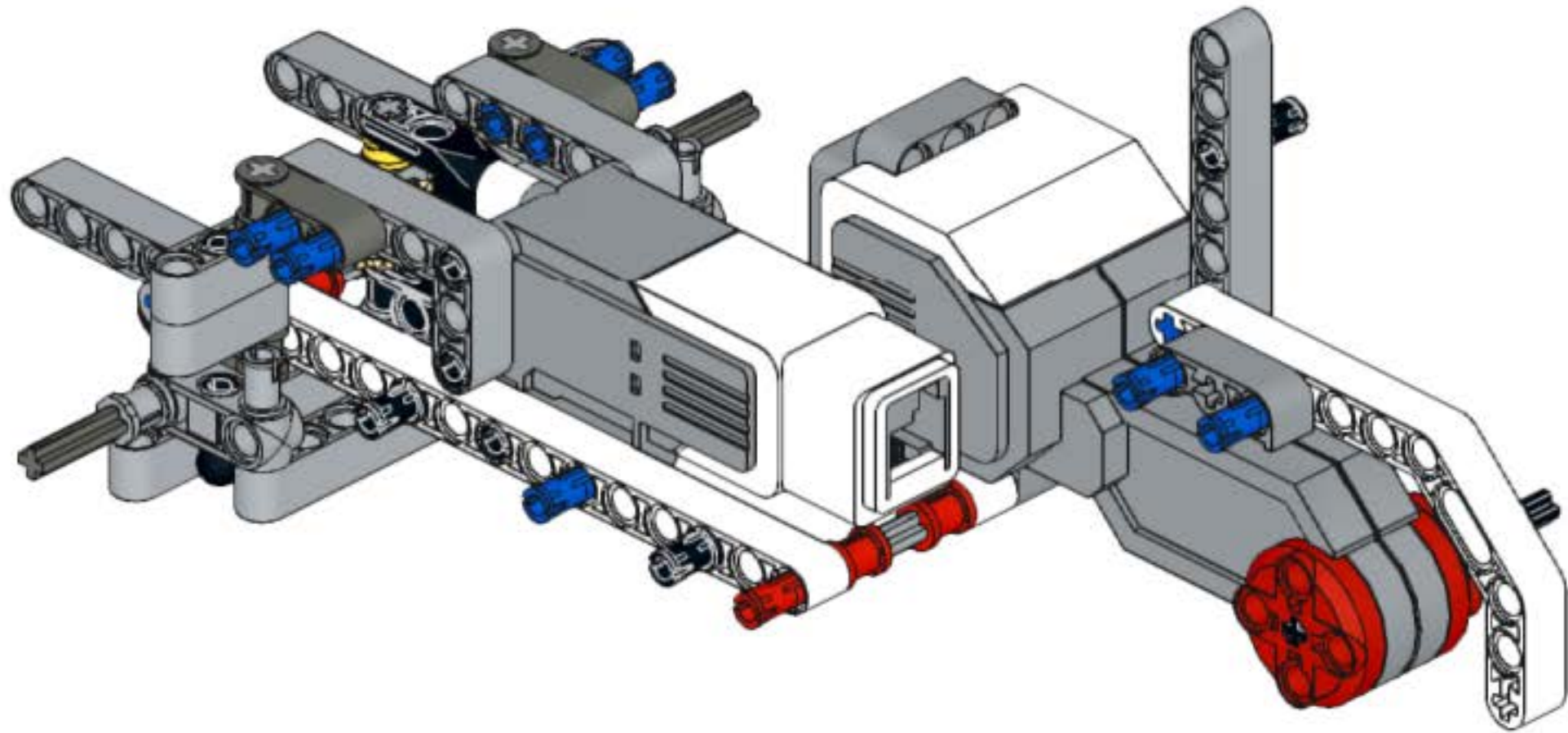
17



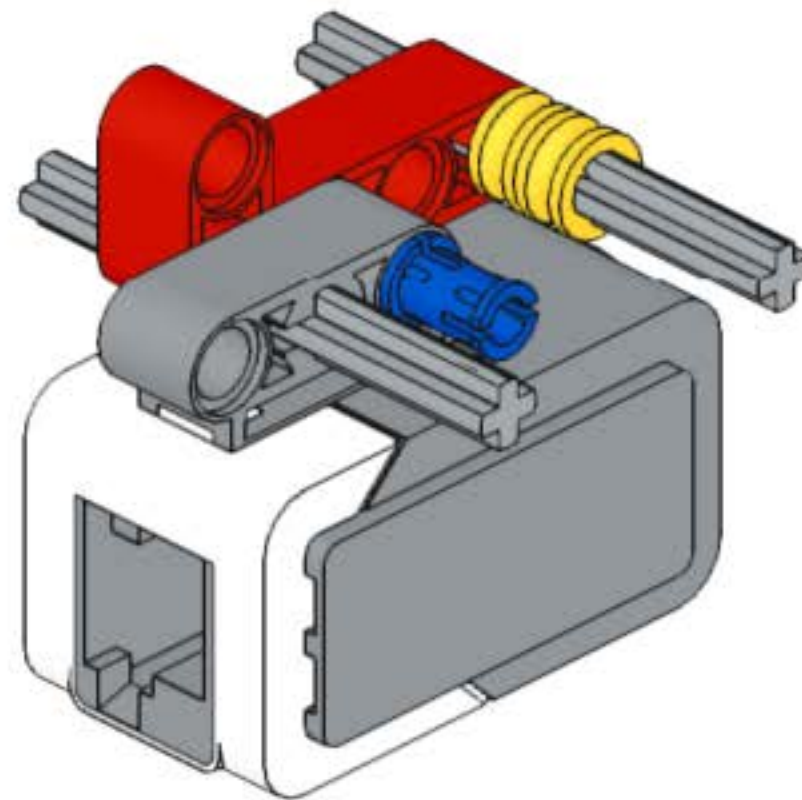
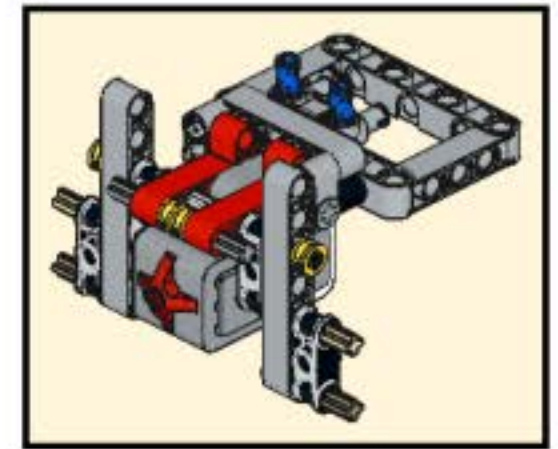
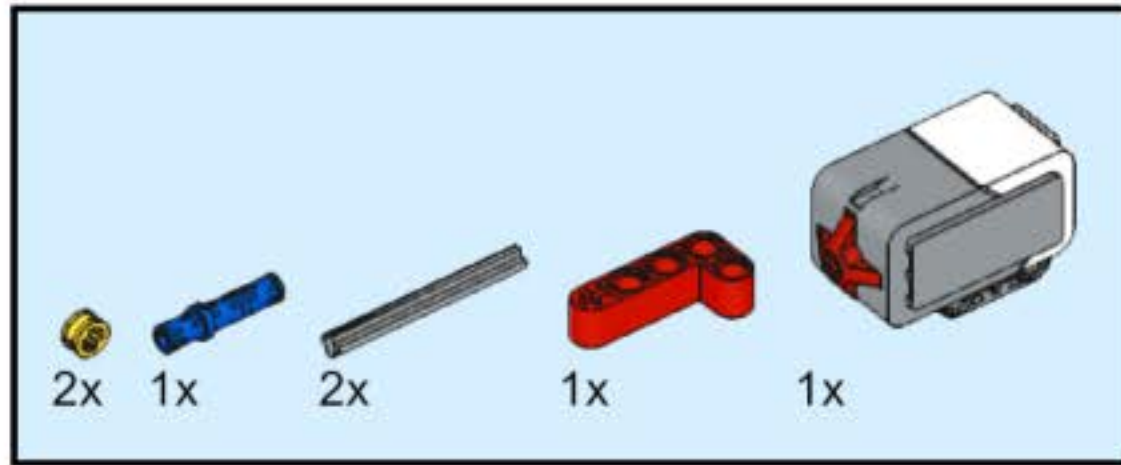
18



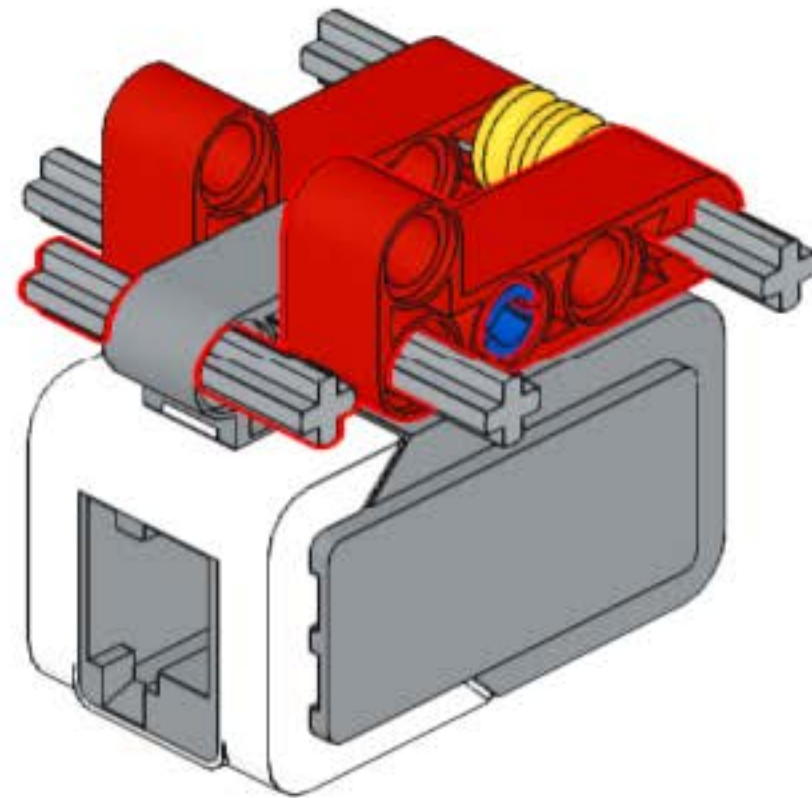
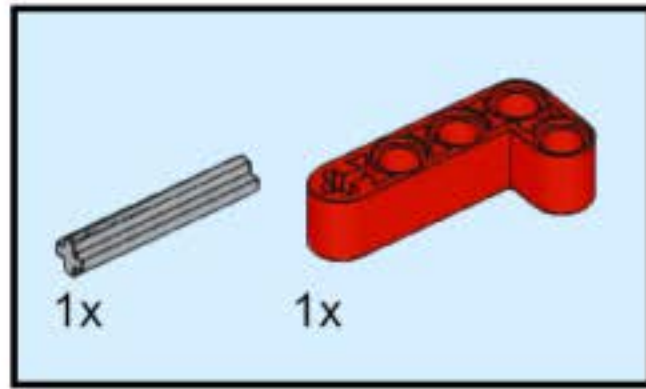
19



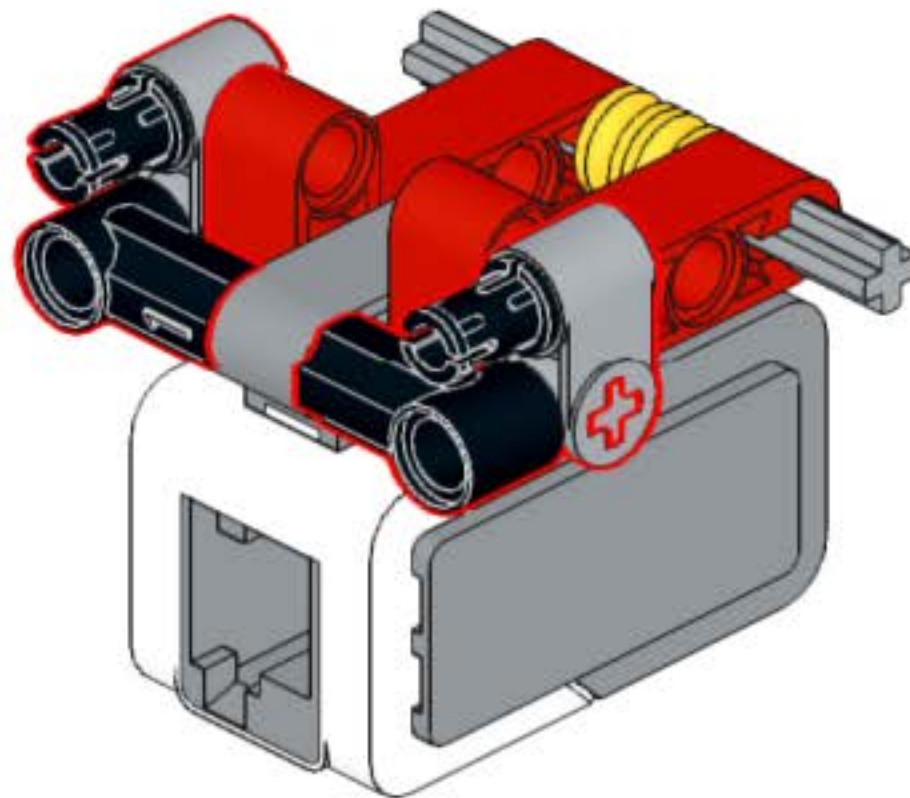
20



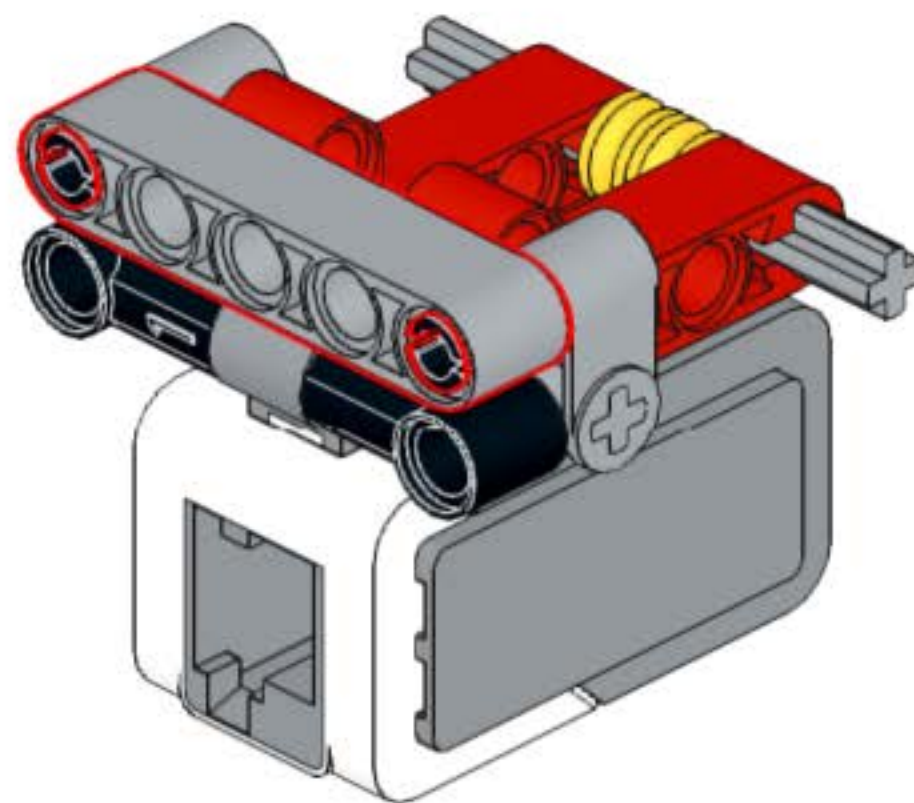
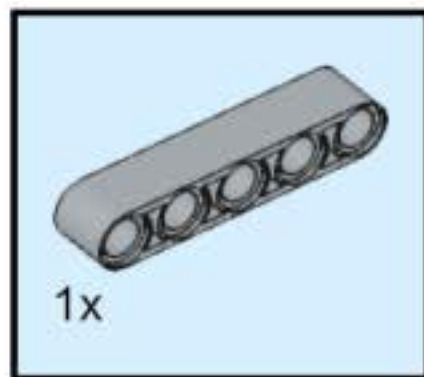
21



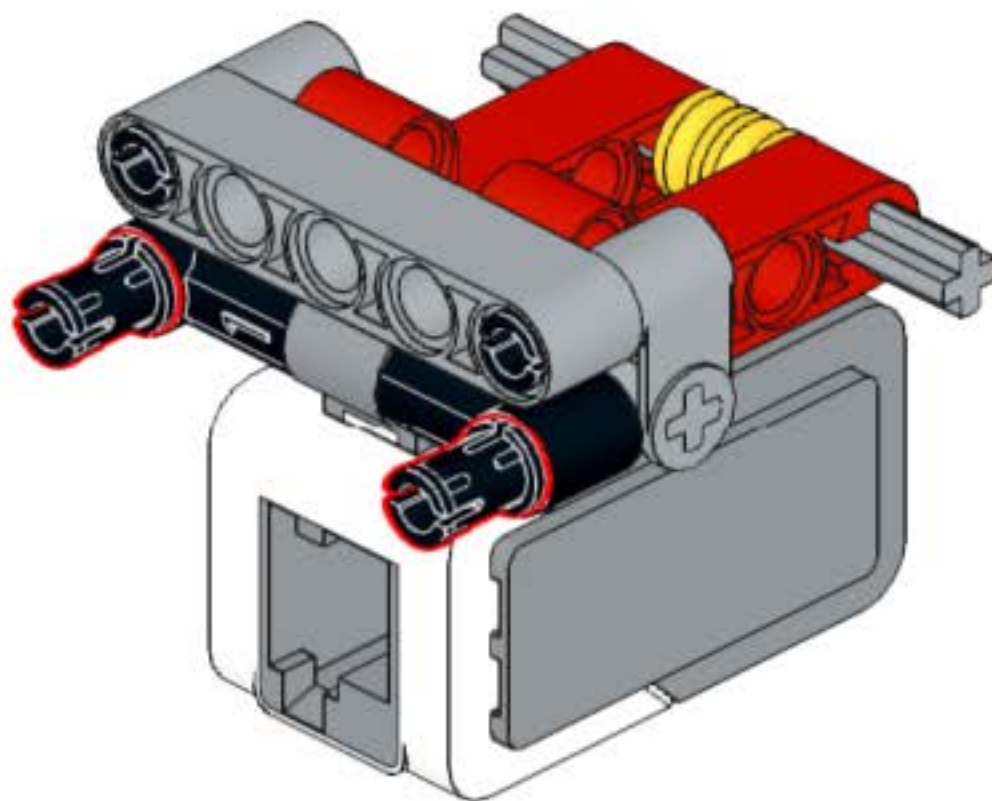
22



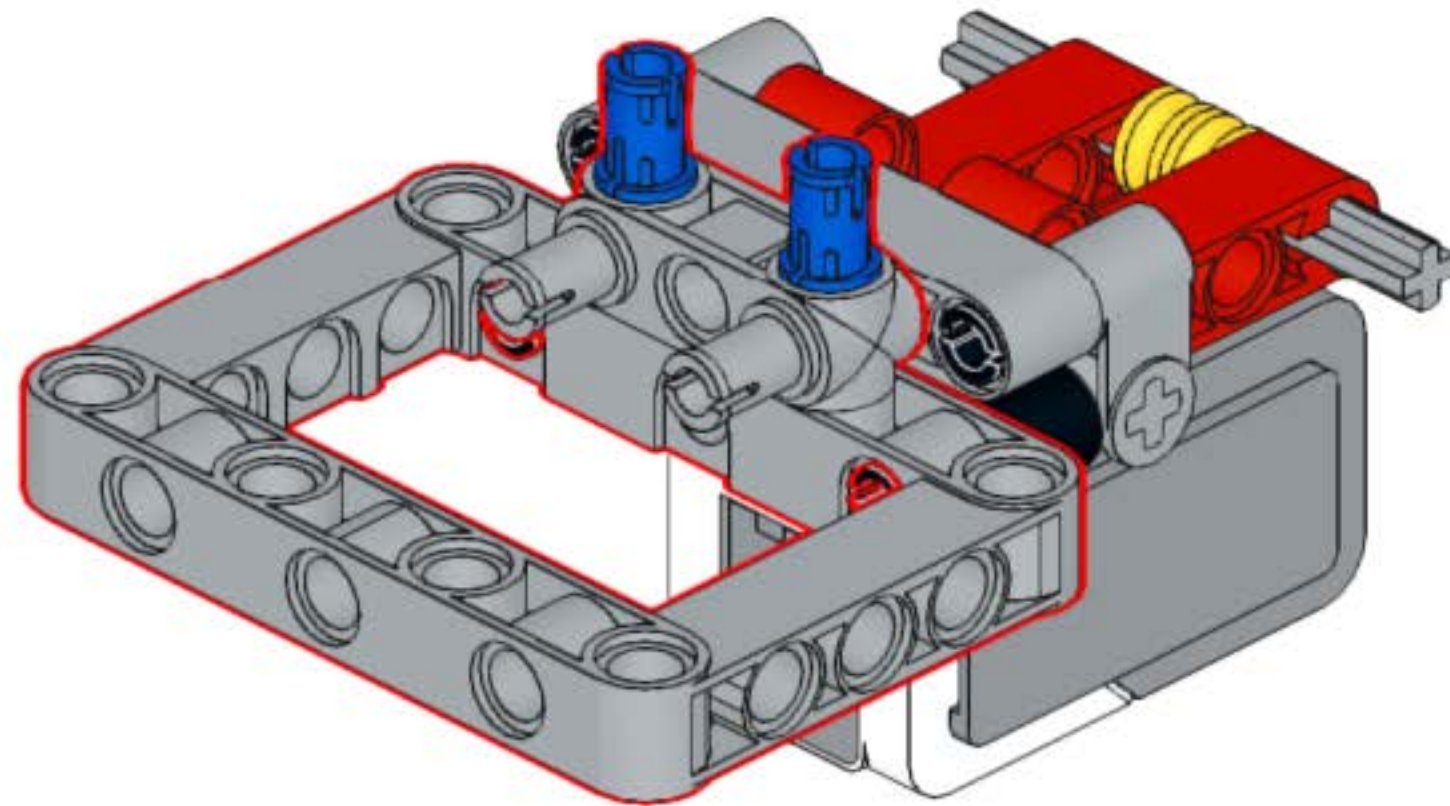
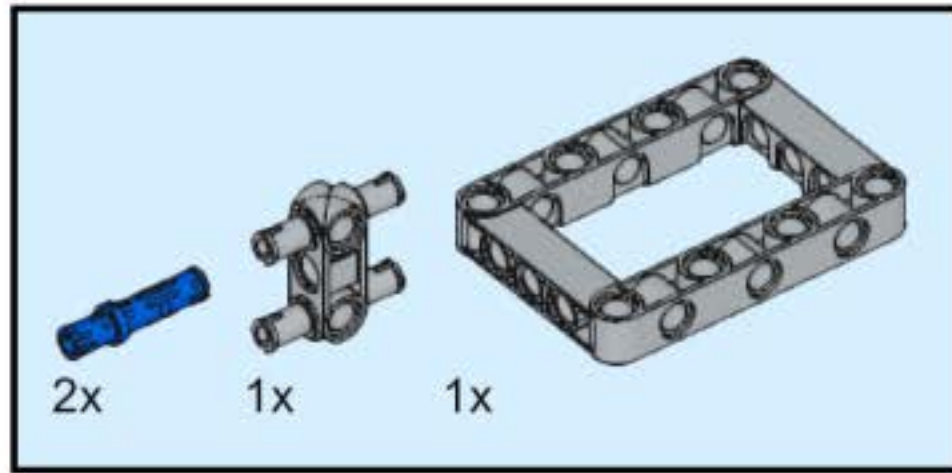
23



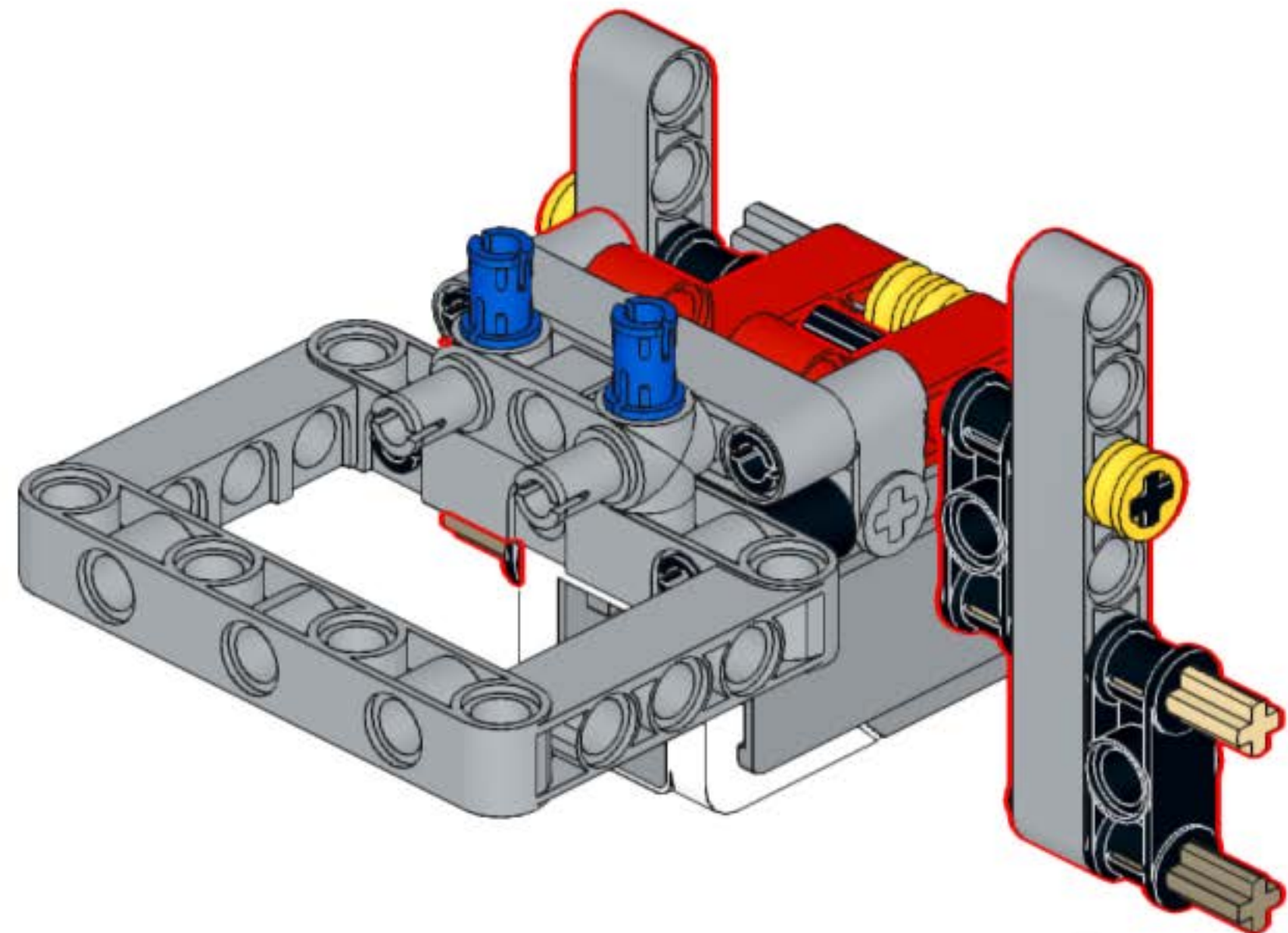
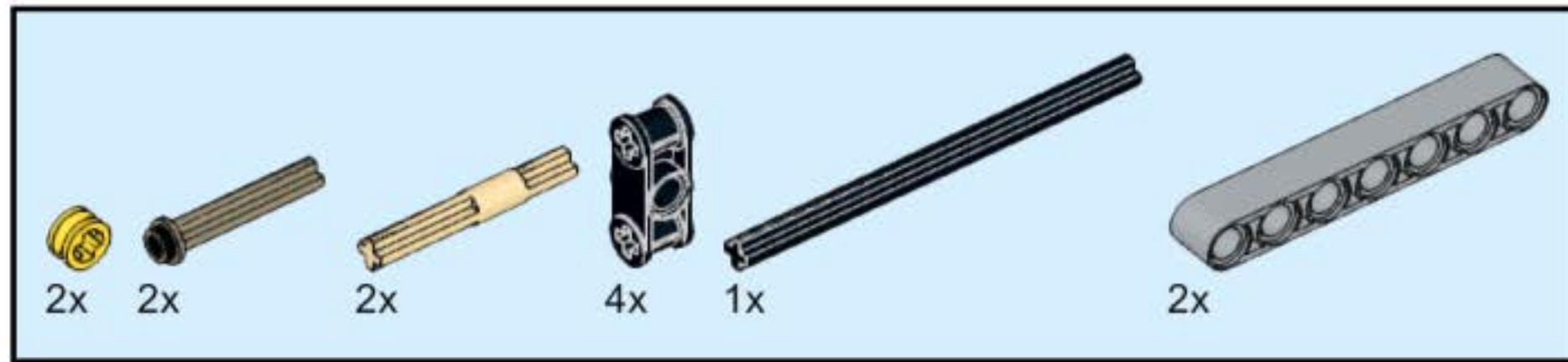
24



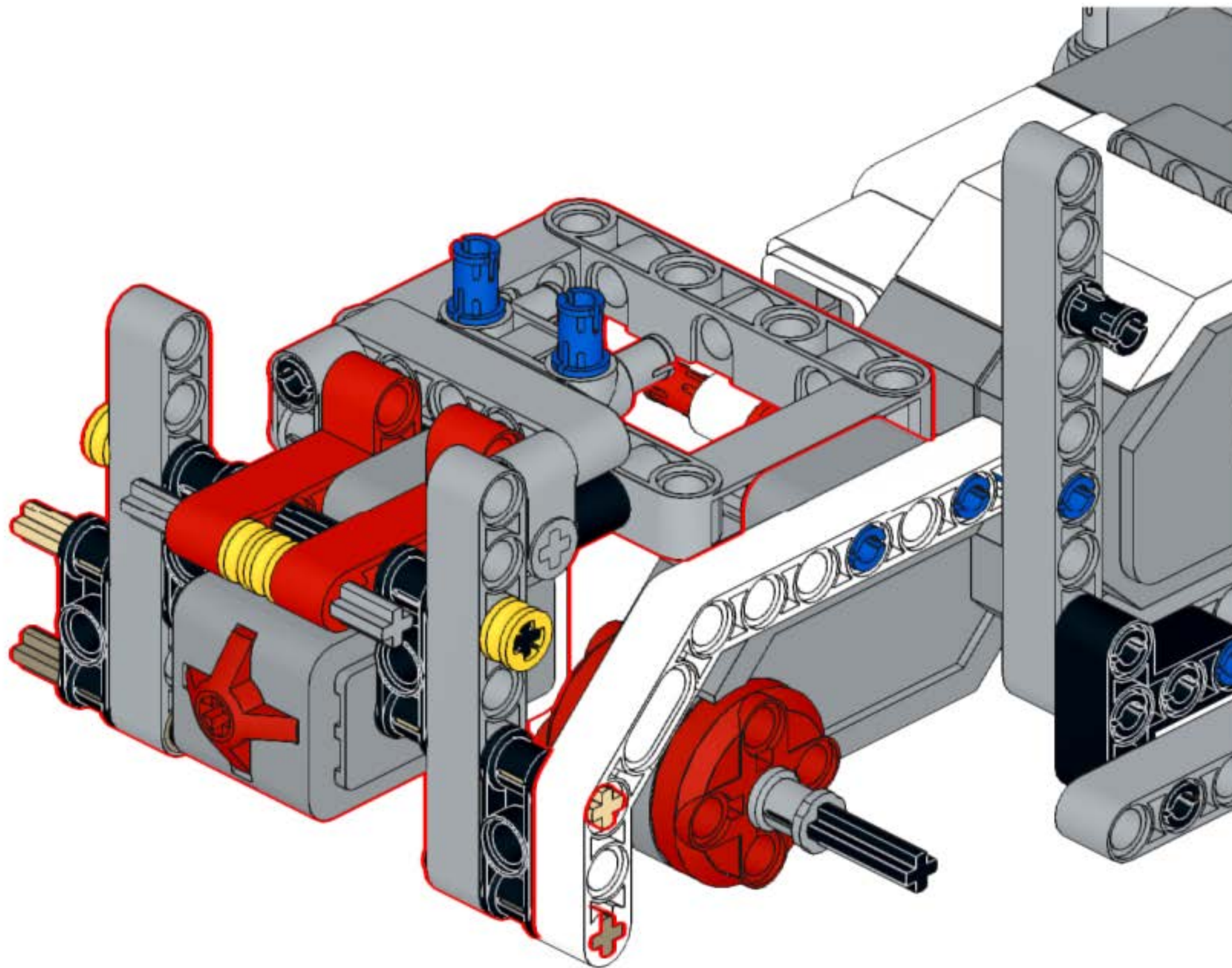
25



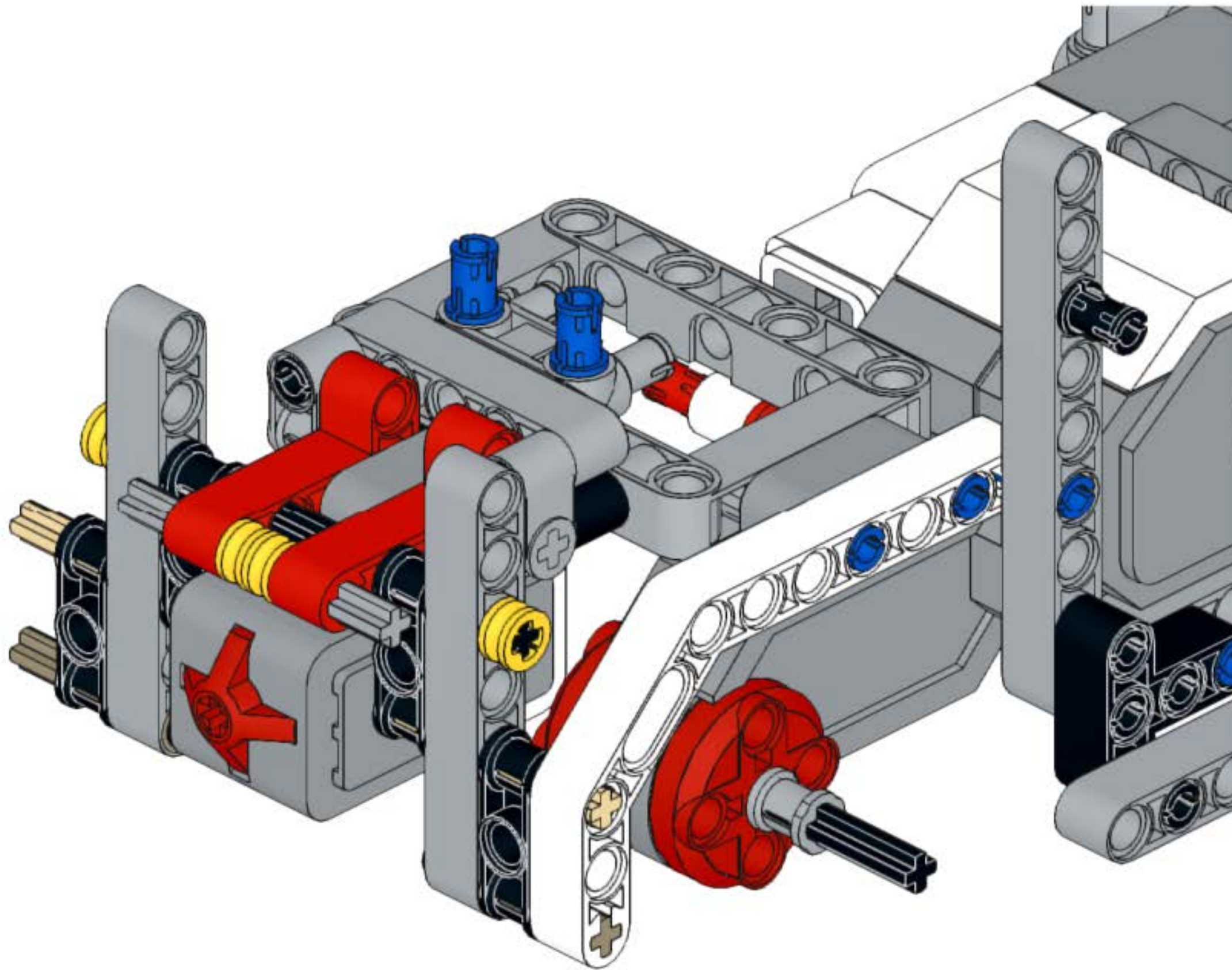
26



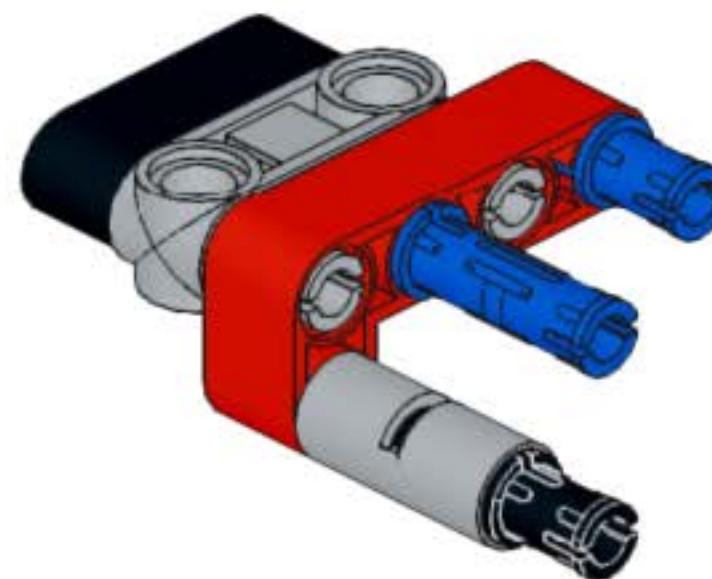
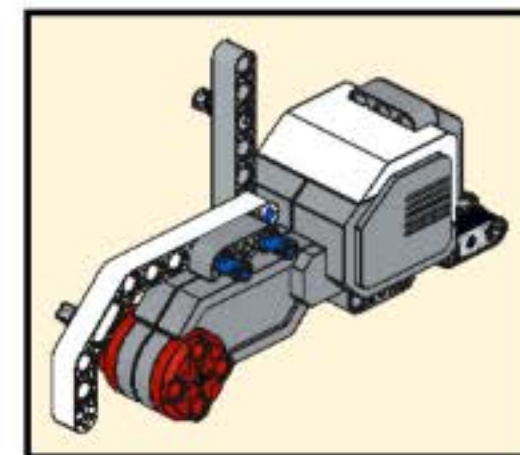
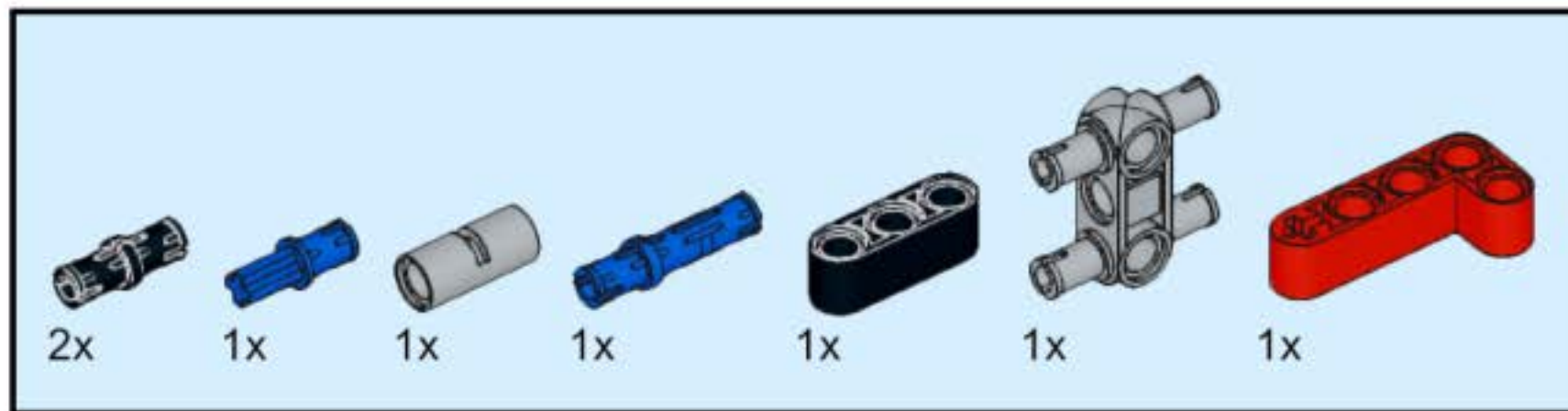
27



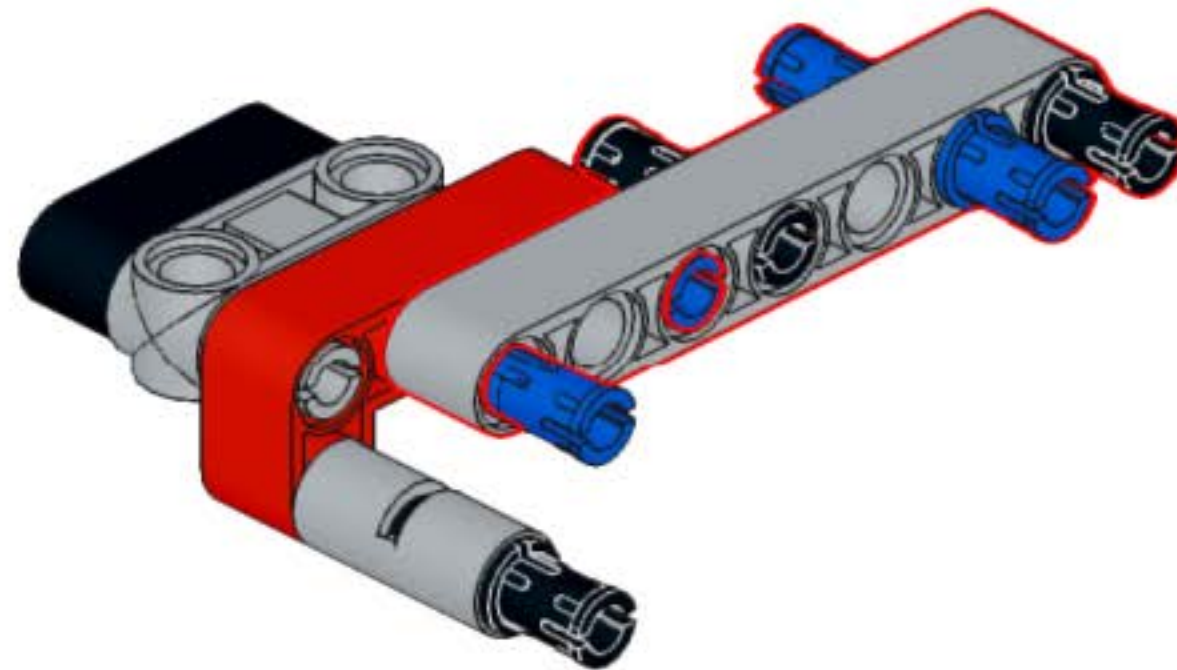
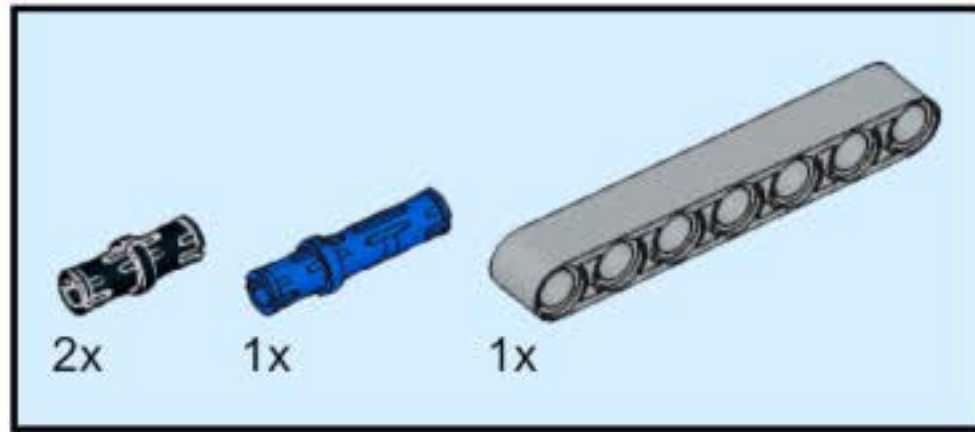
28



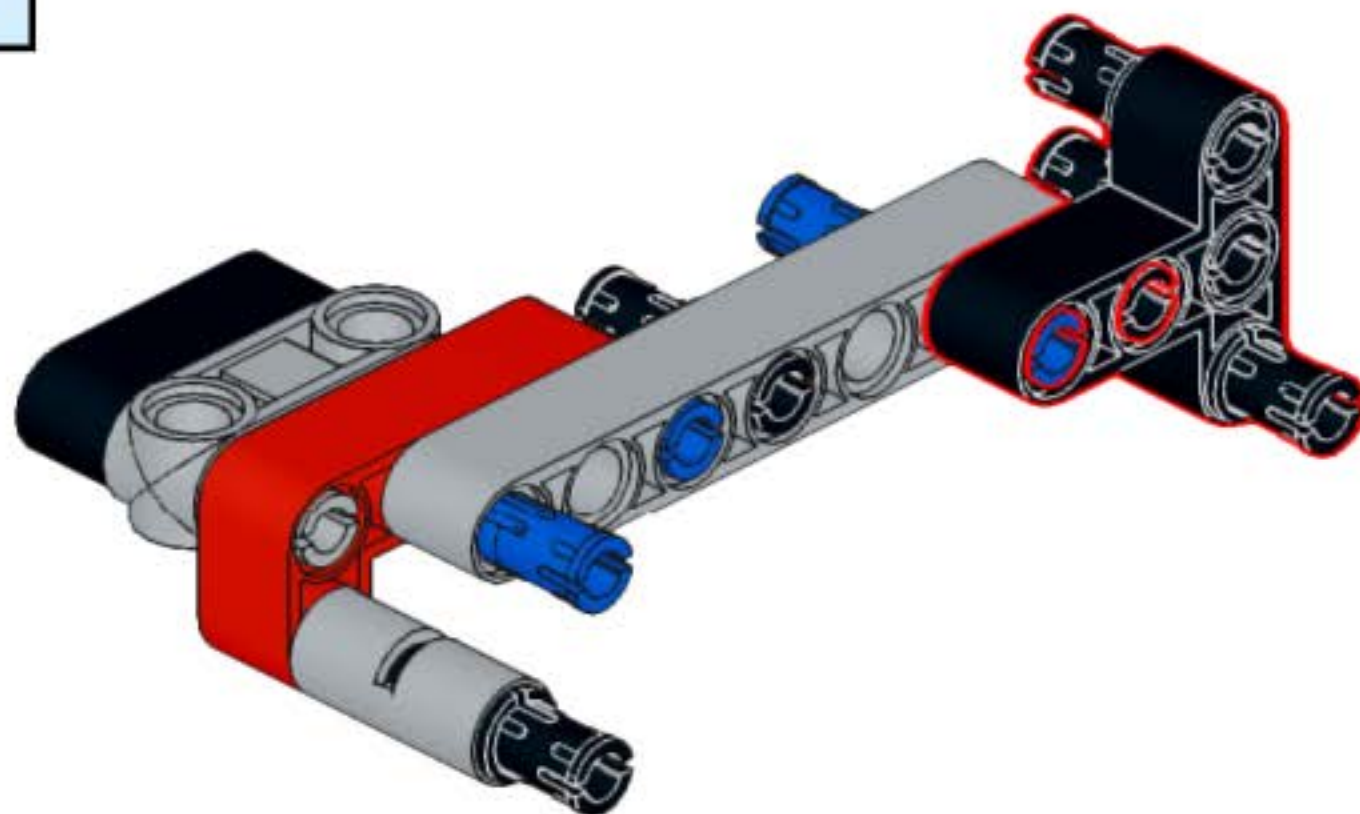
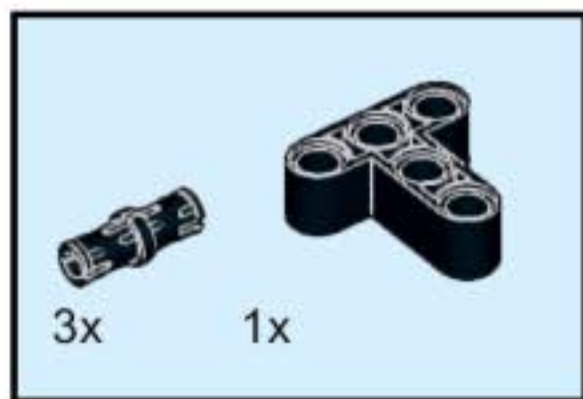
29



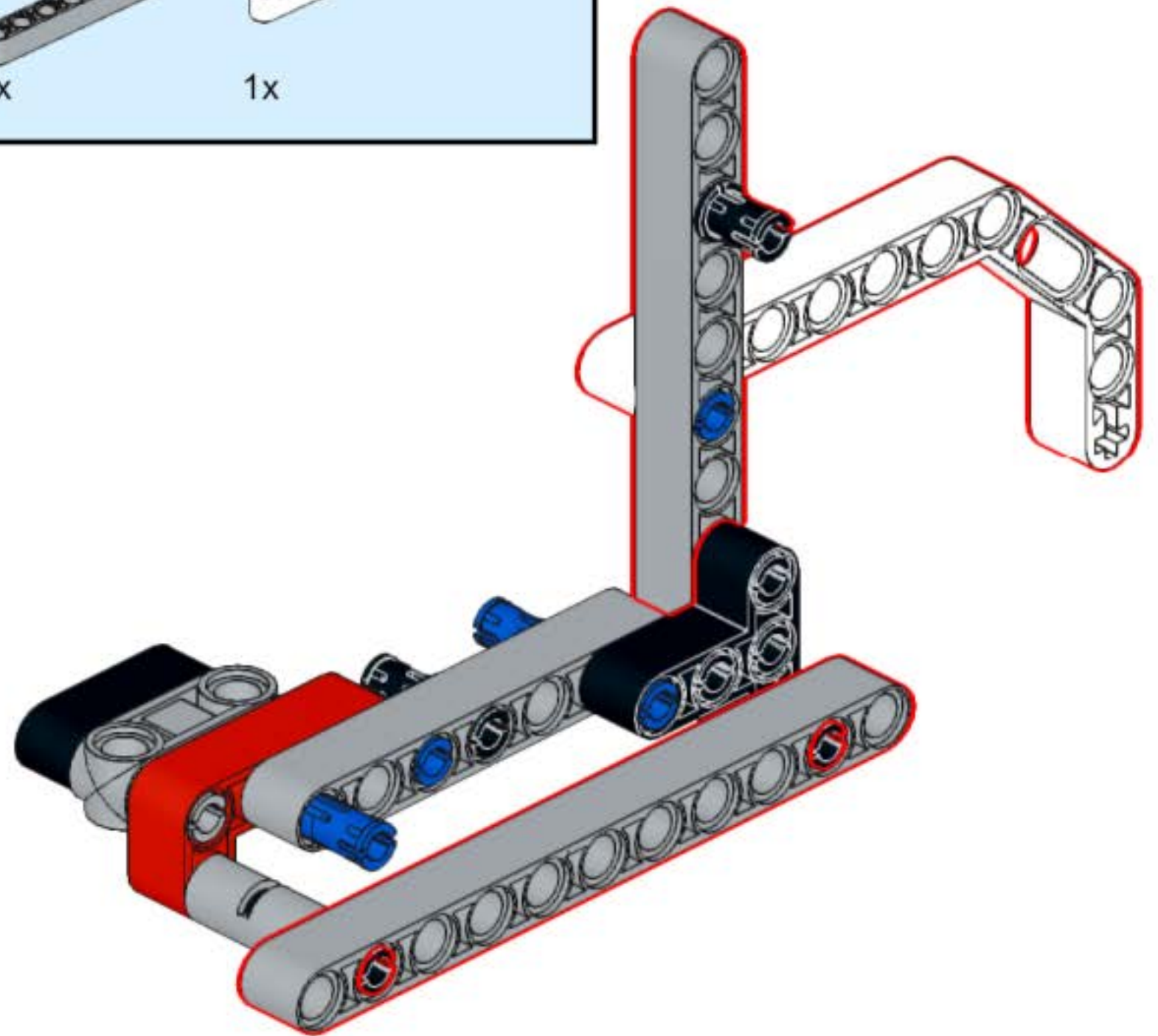
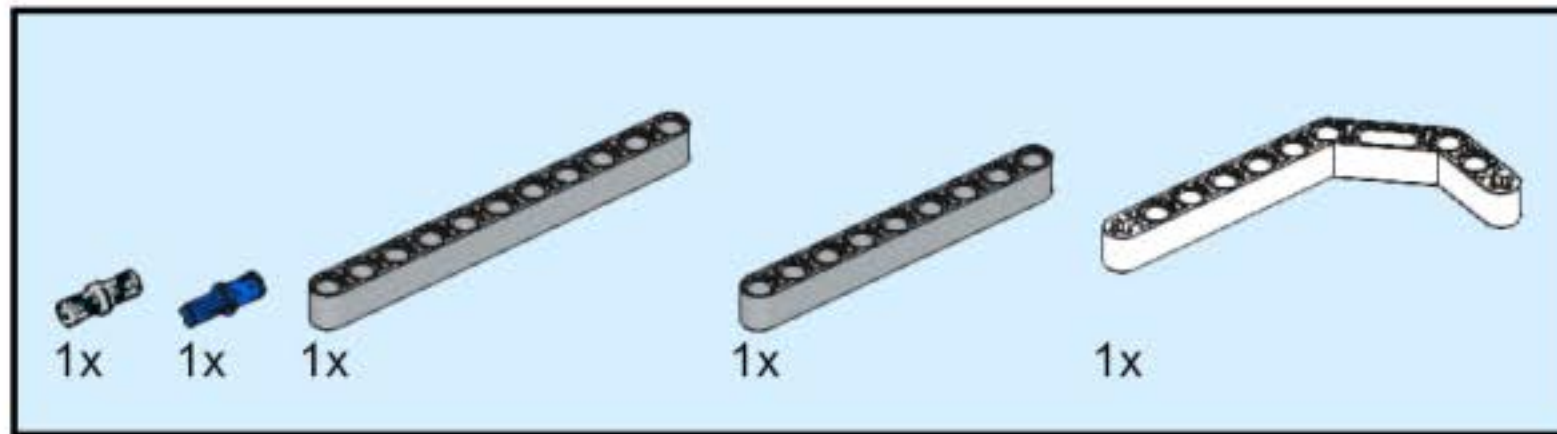
30



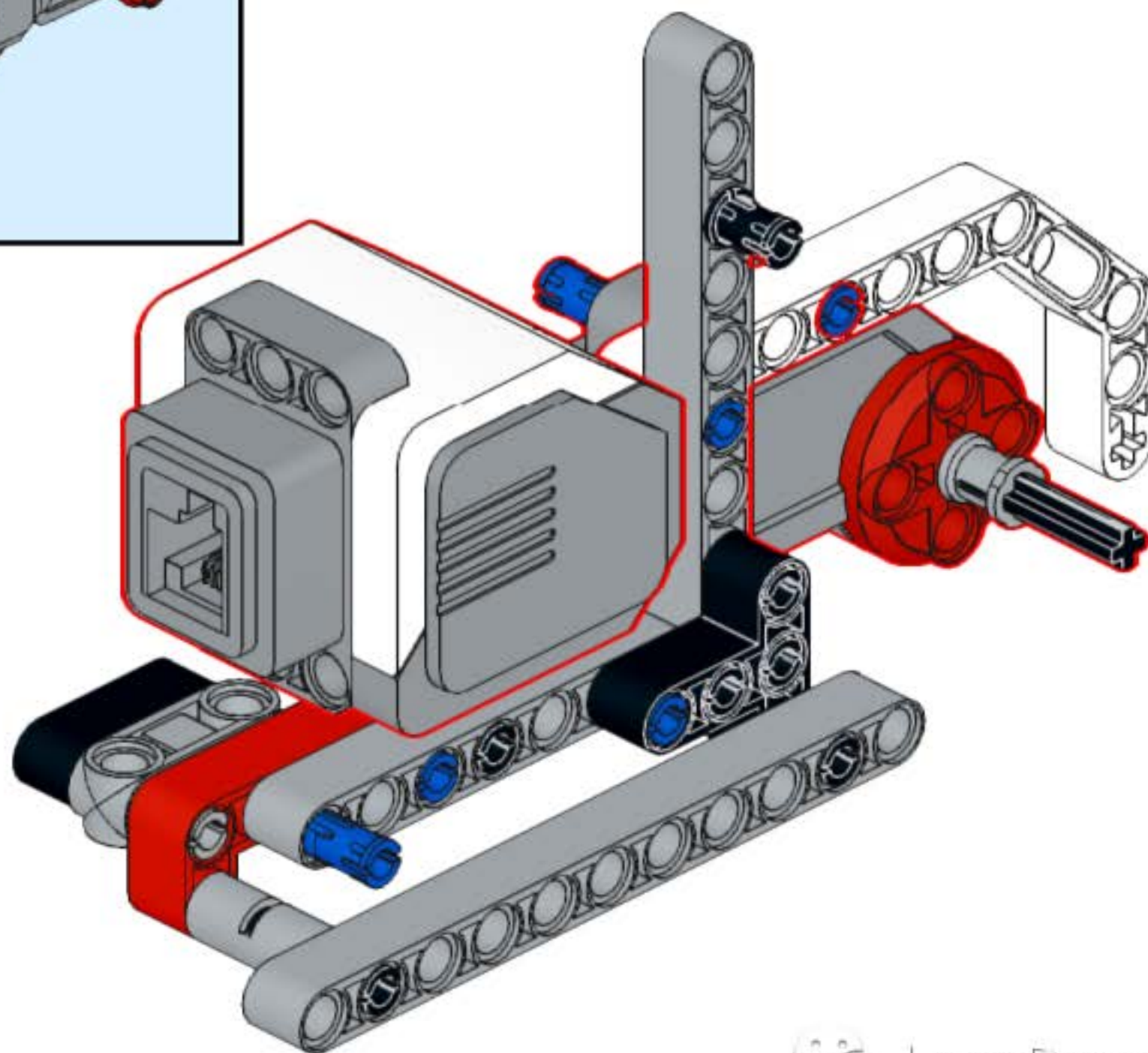
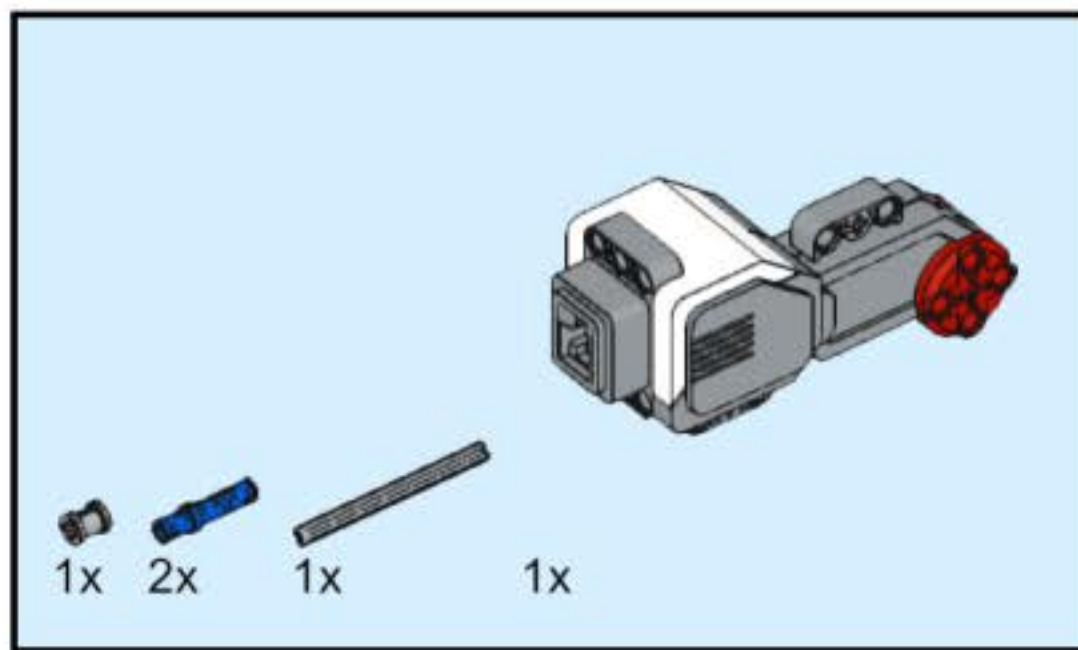
31



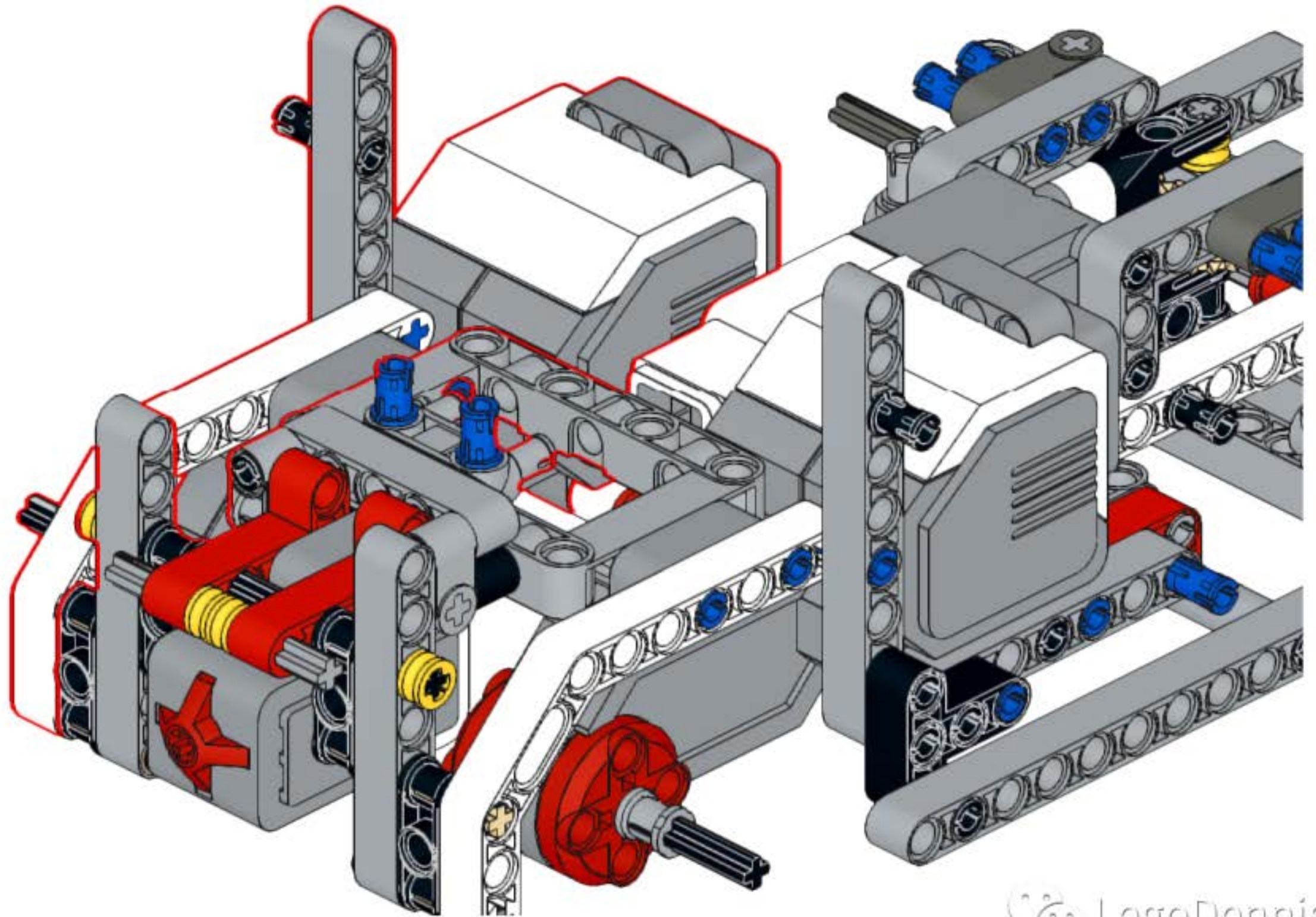
32



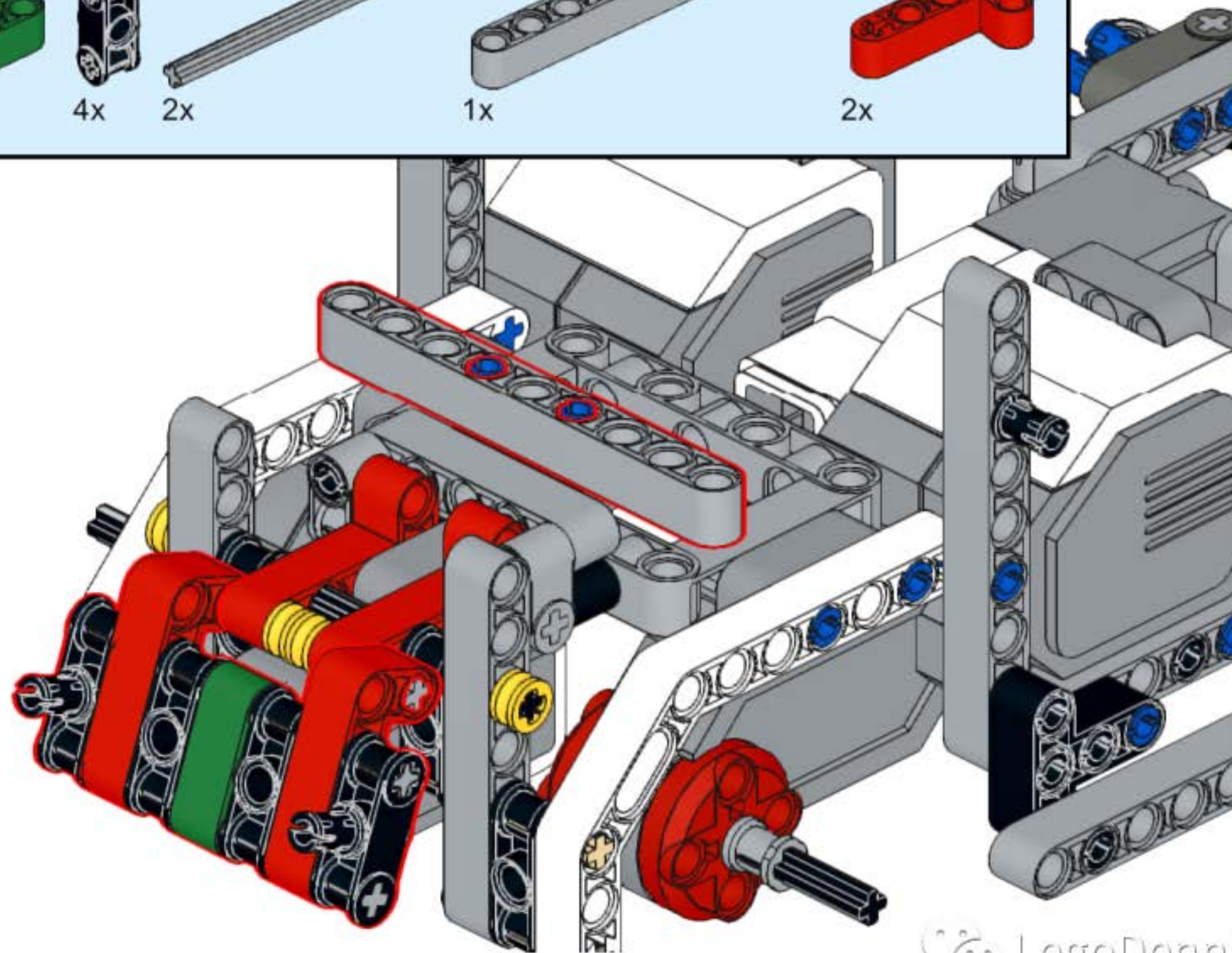
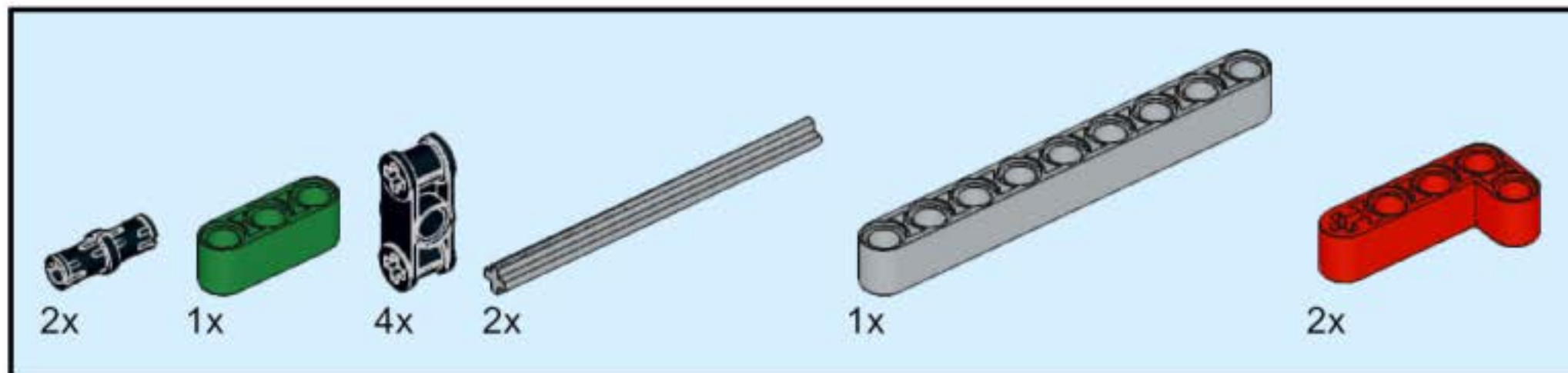
33



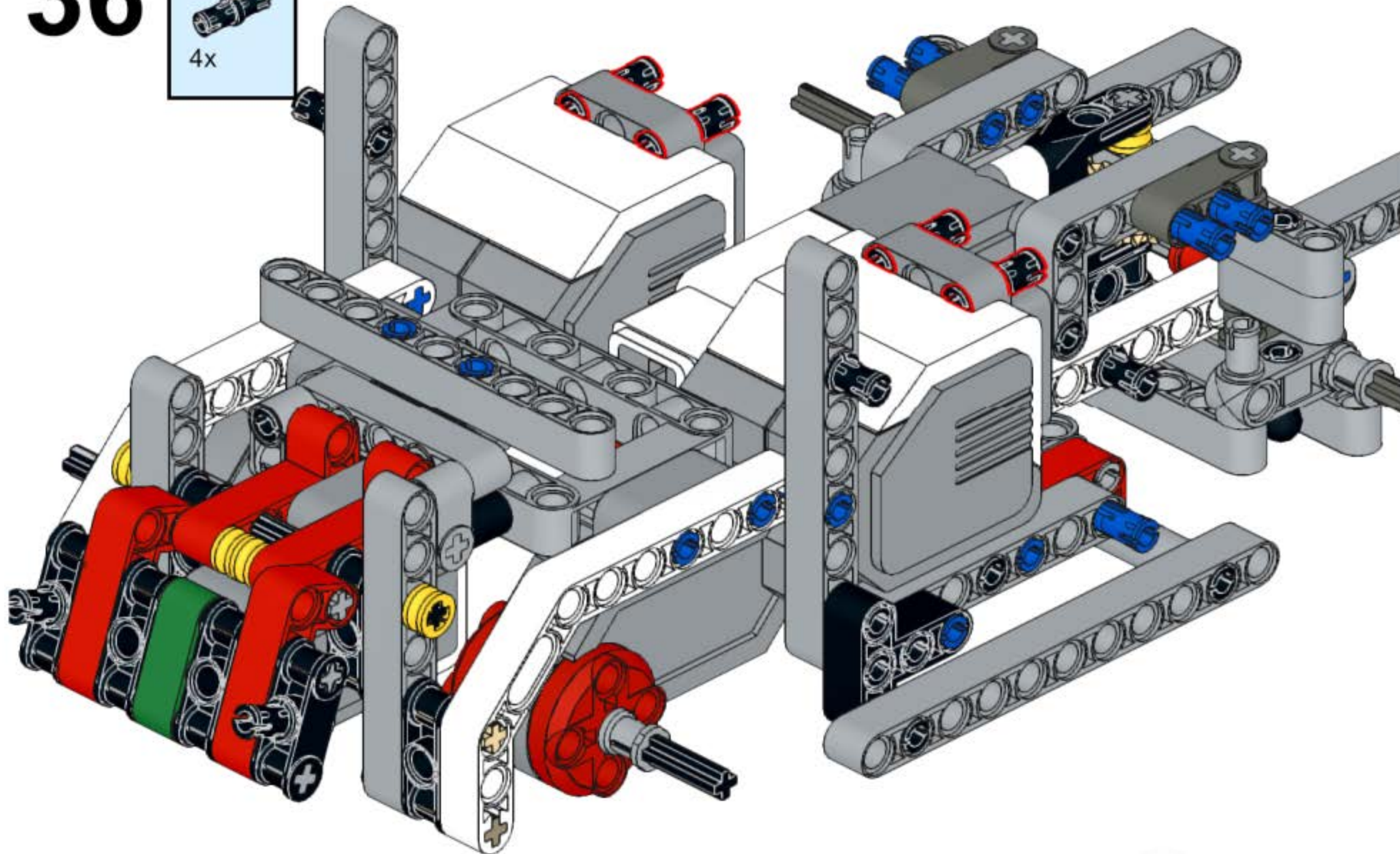
34



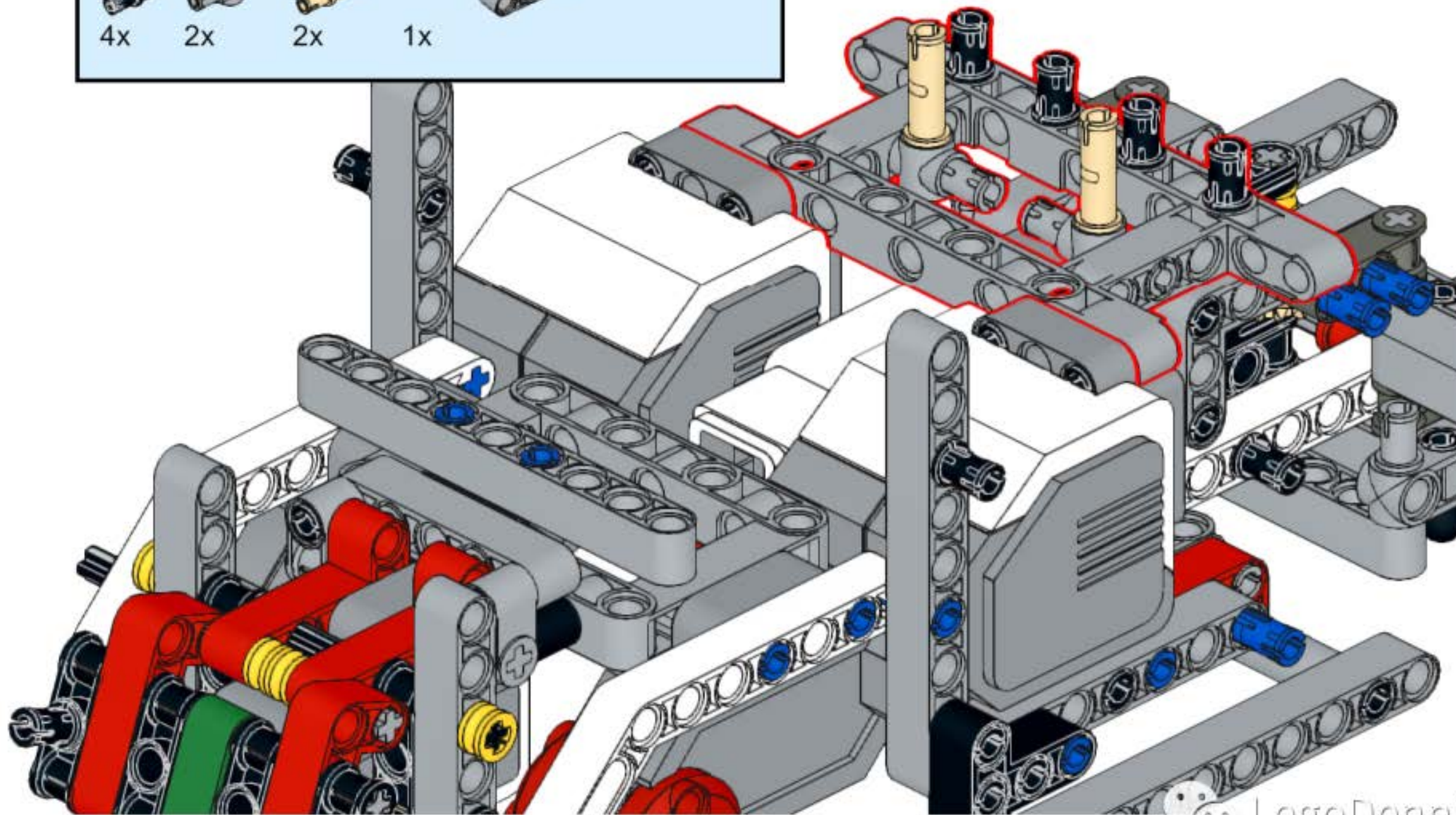
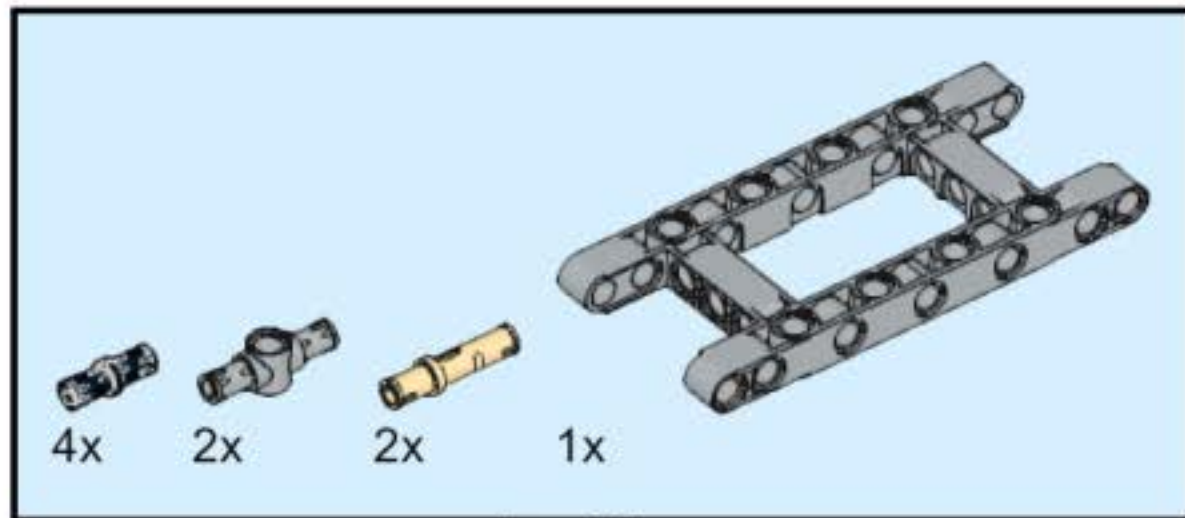
35



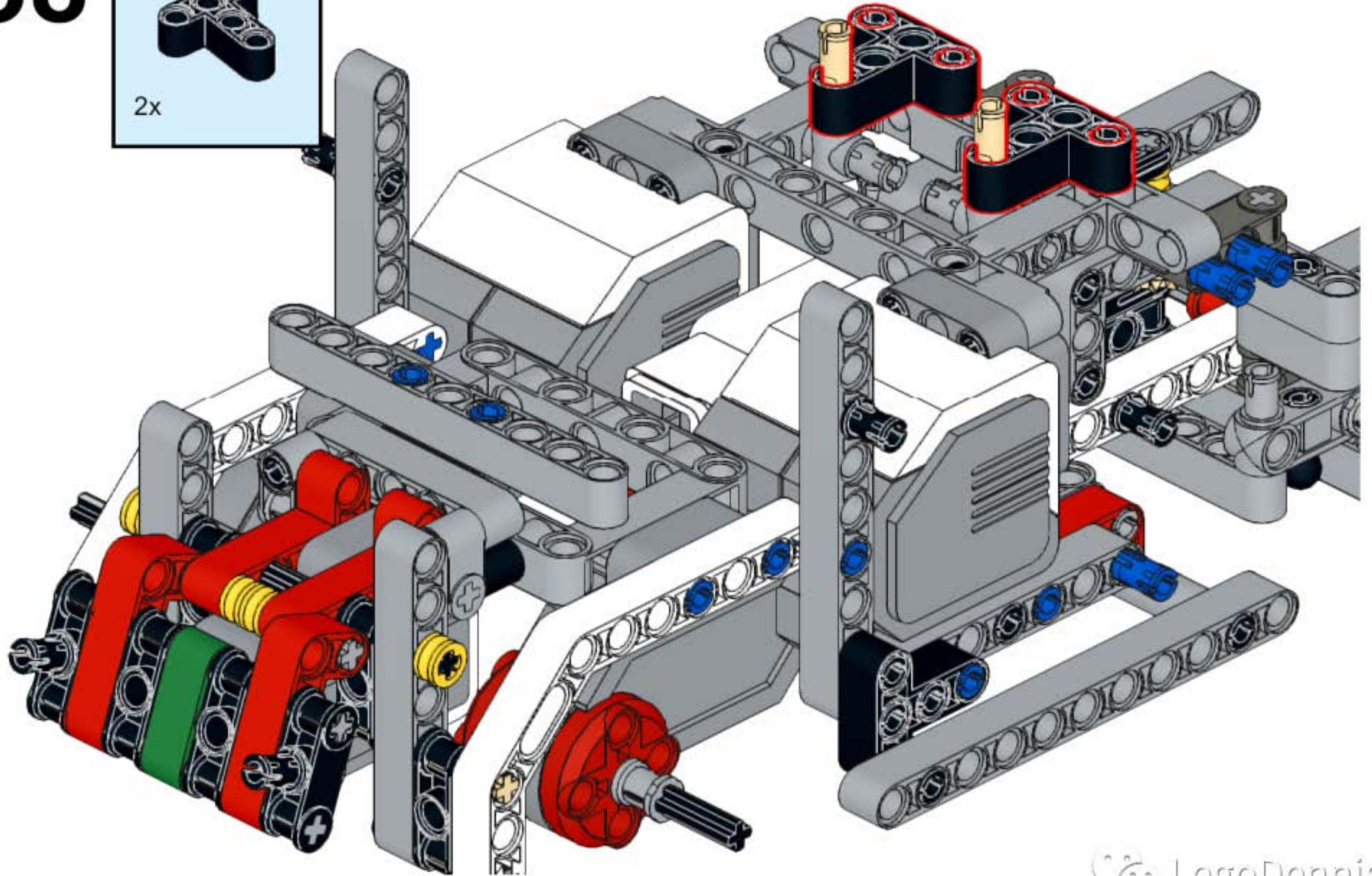
36



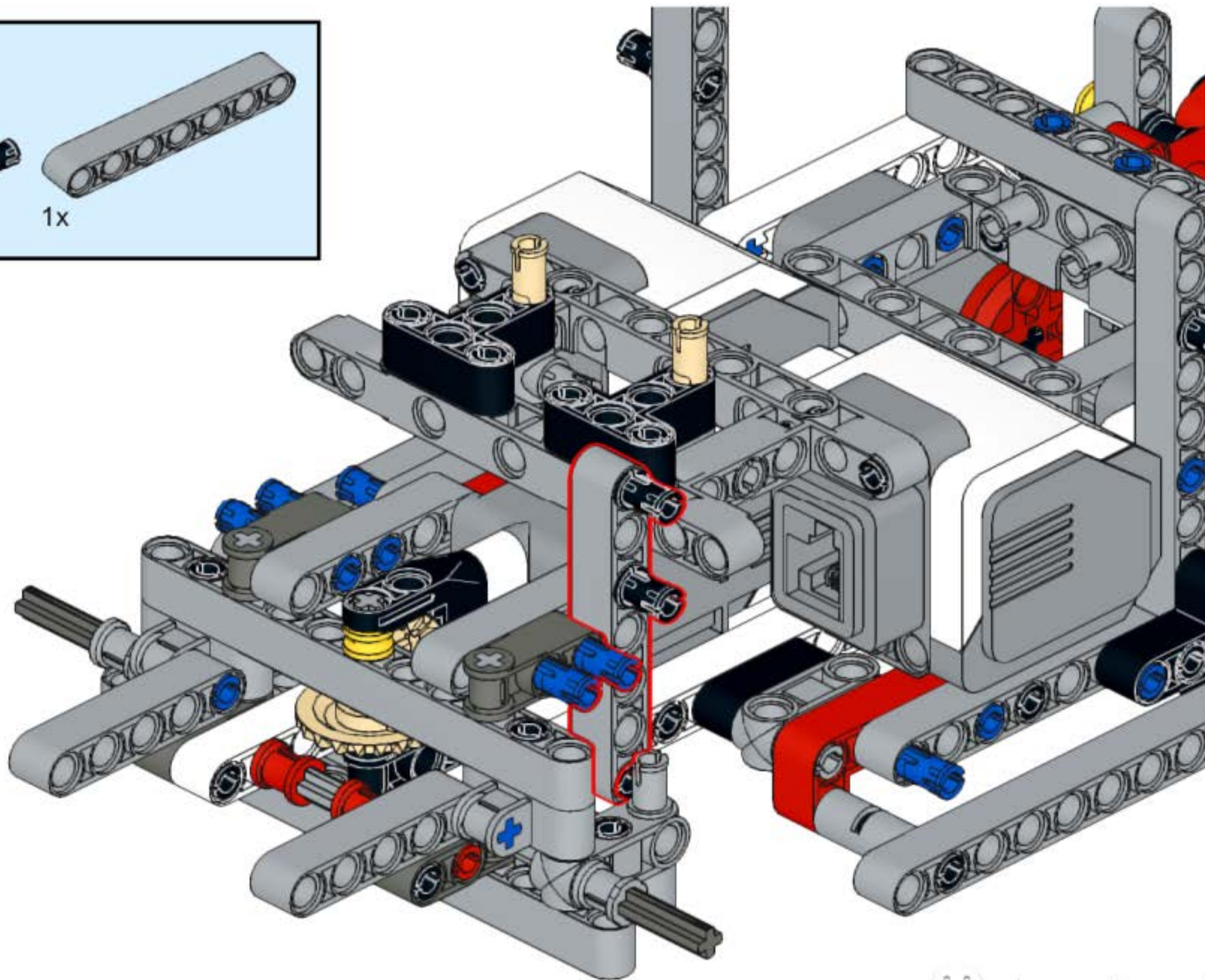
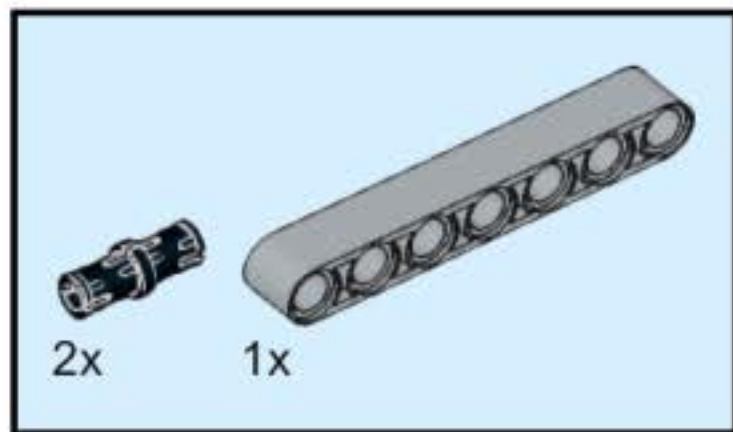
37



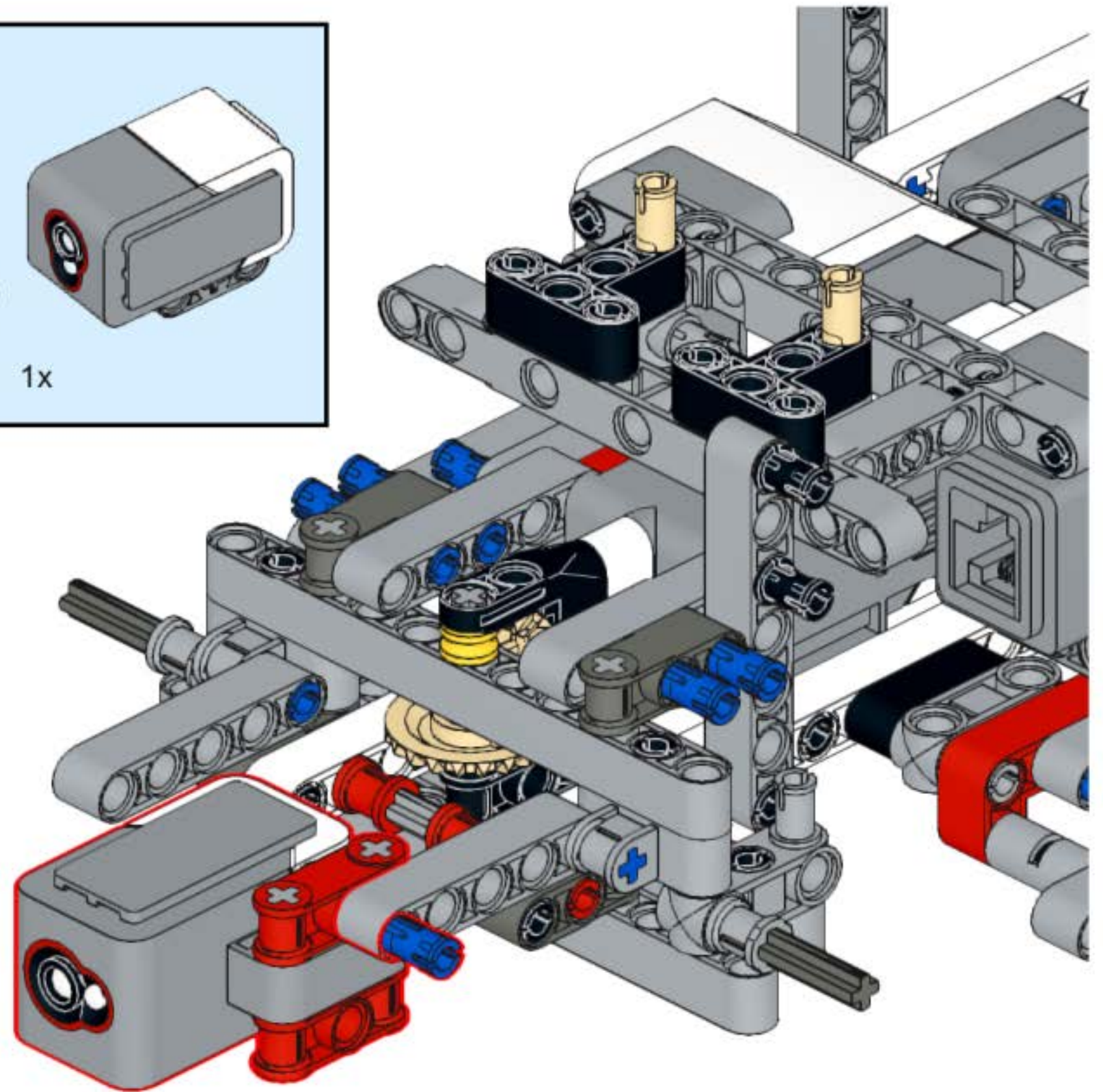
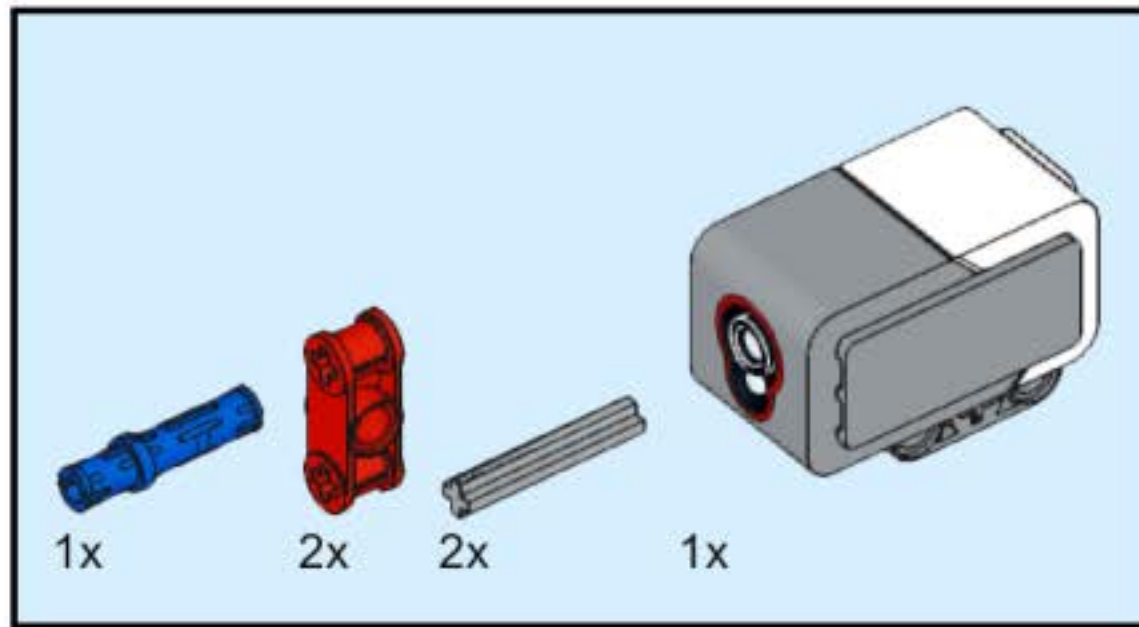
38



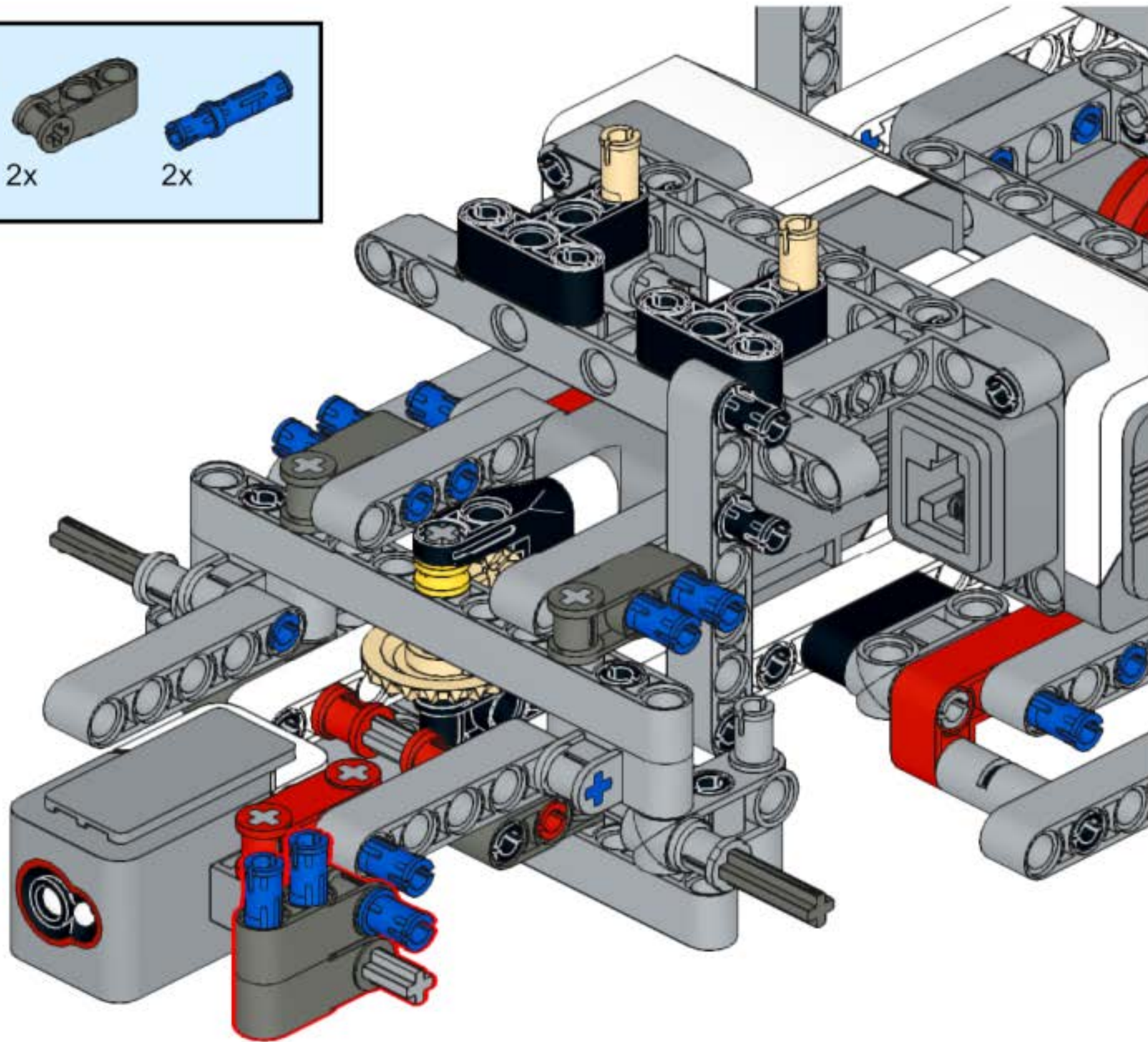
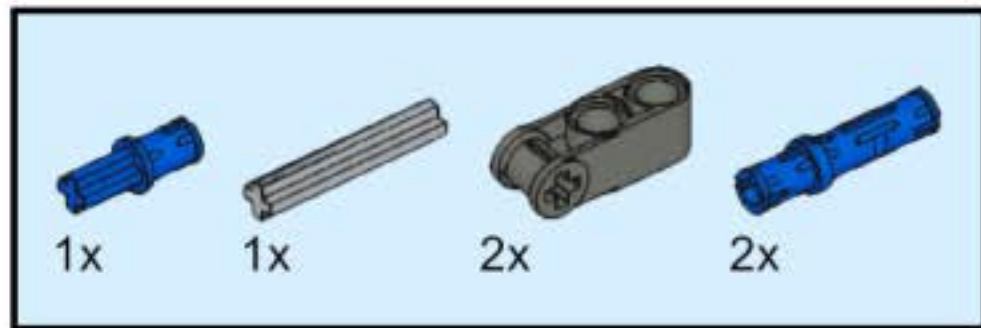
39



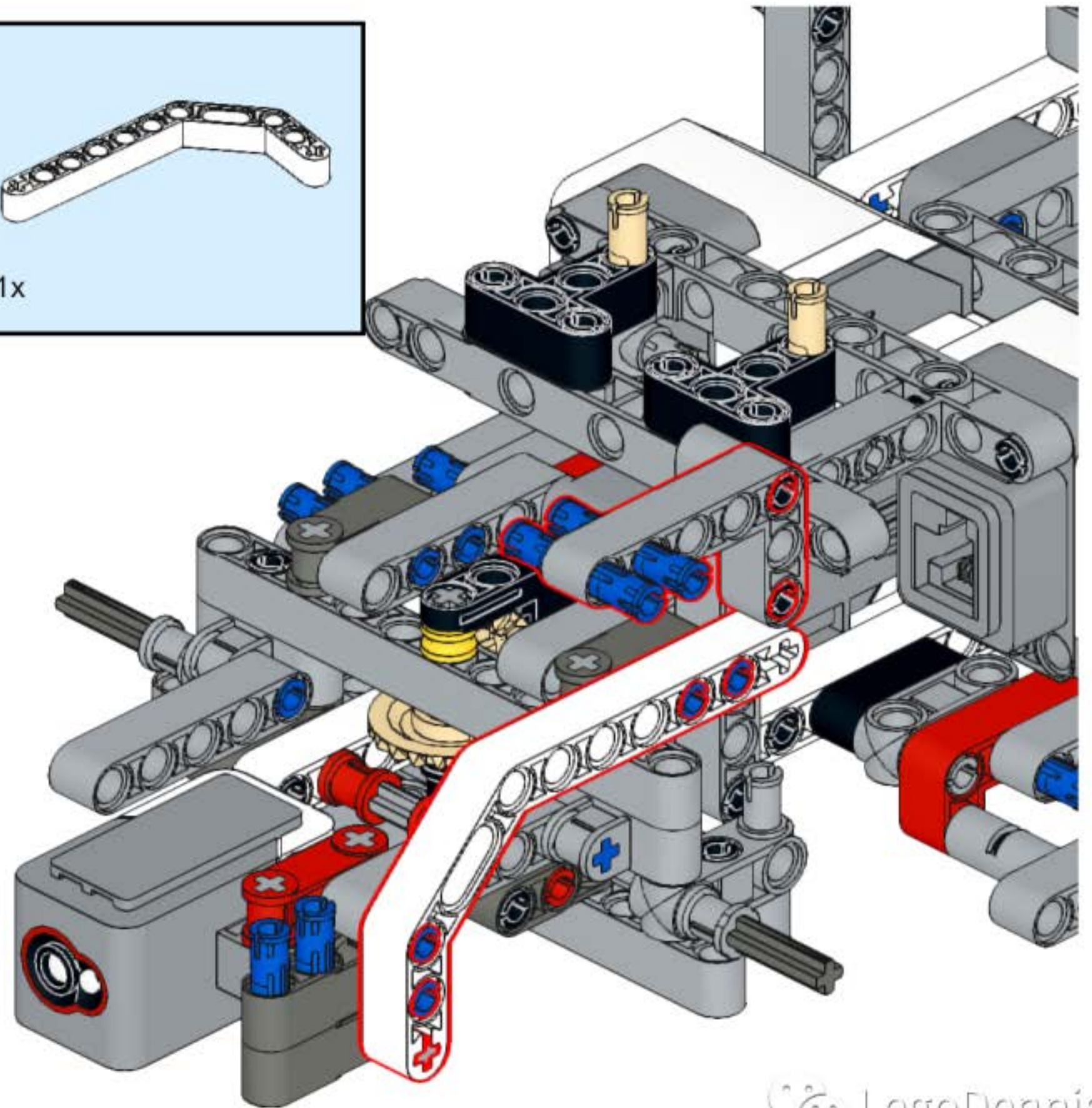
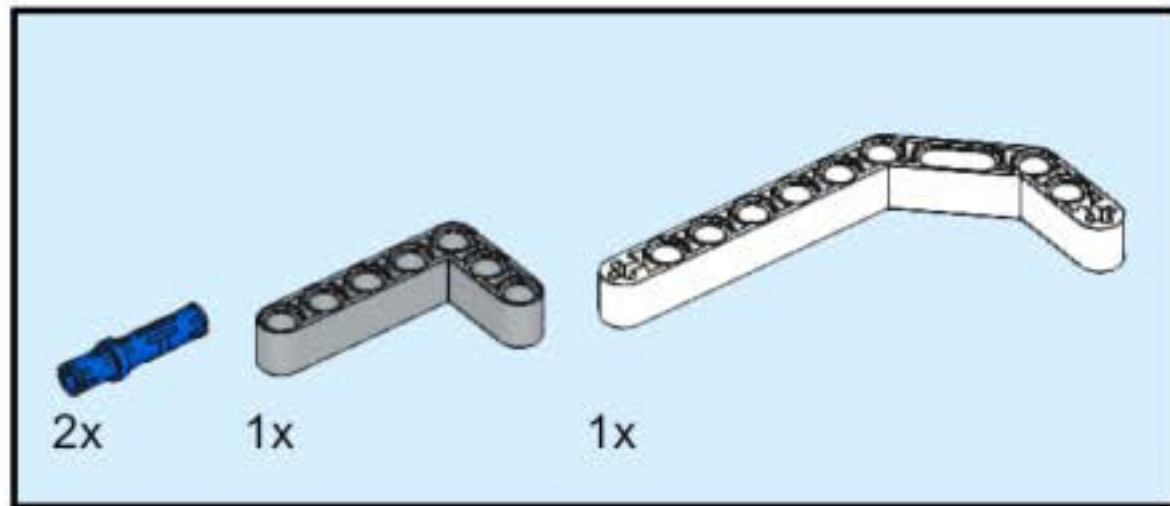
40



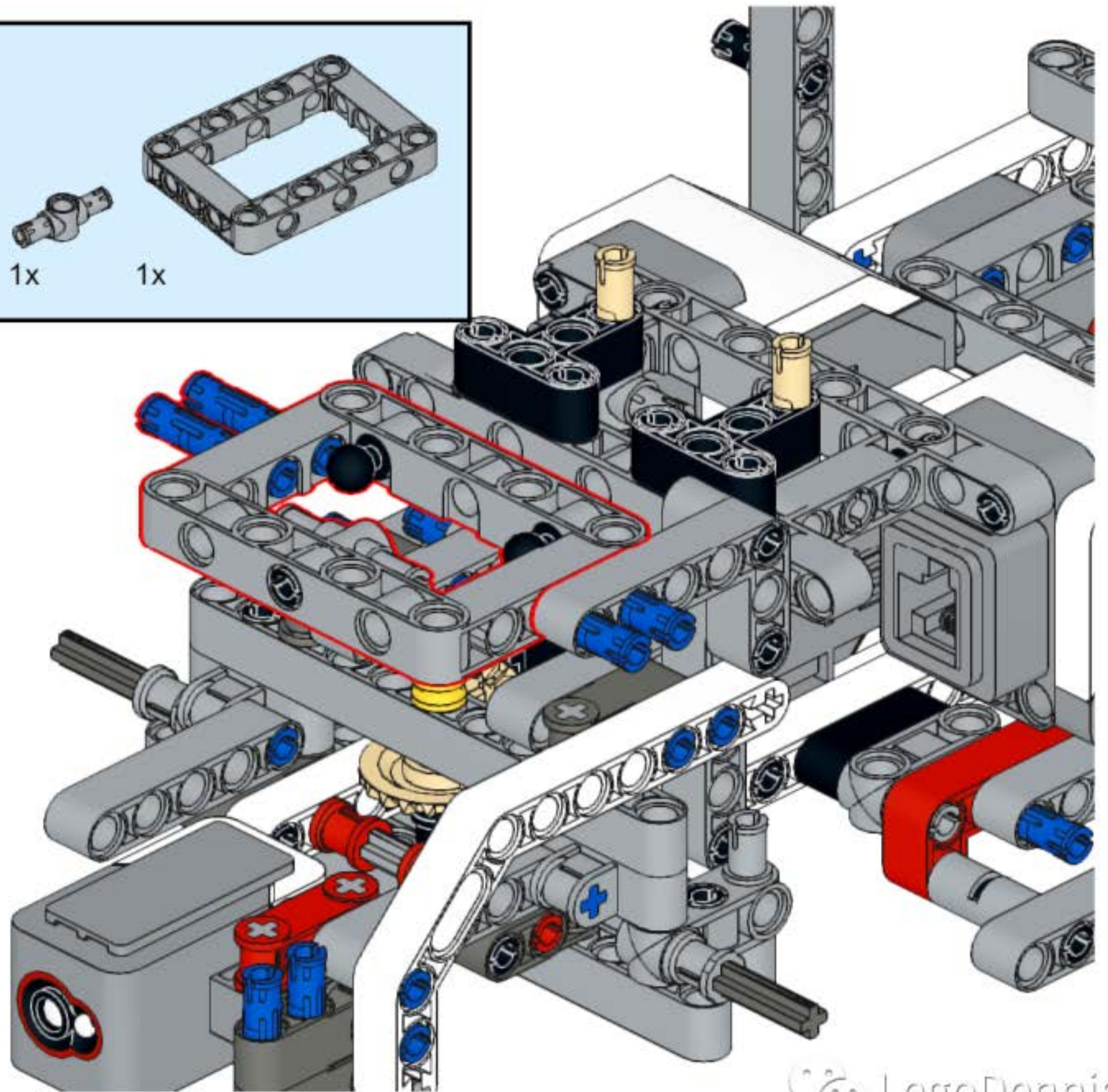
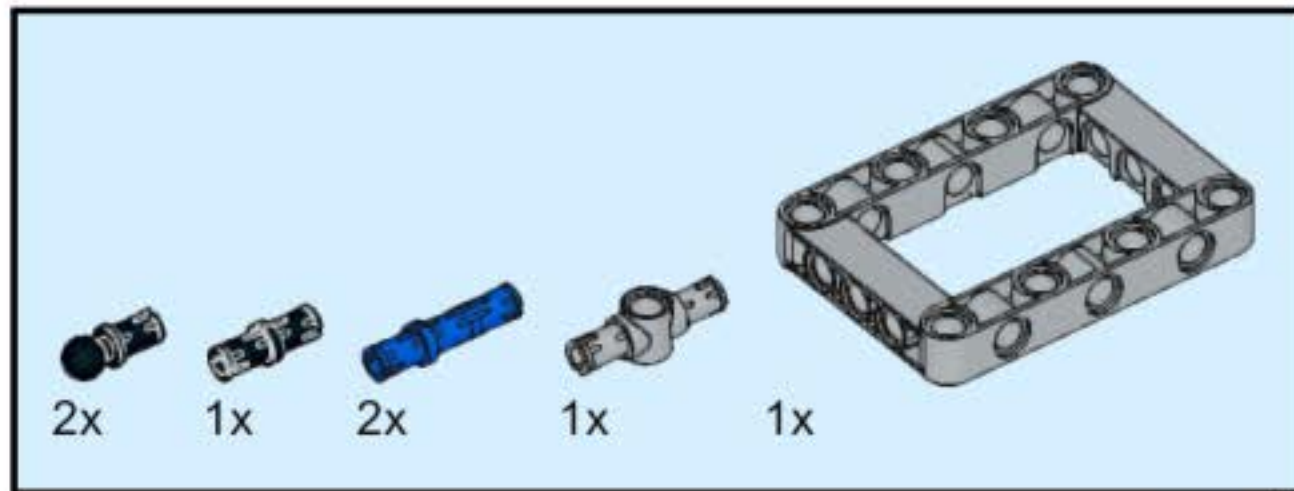
41



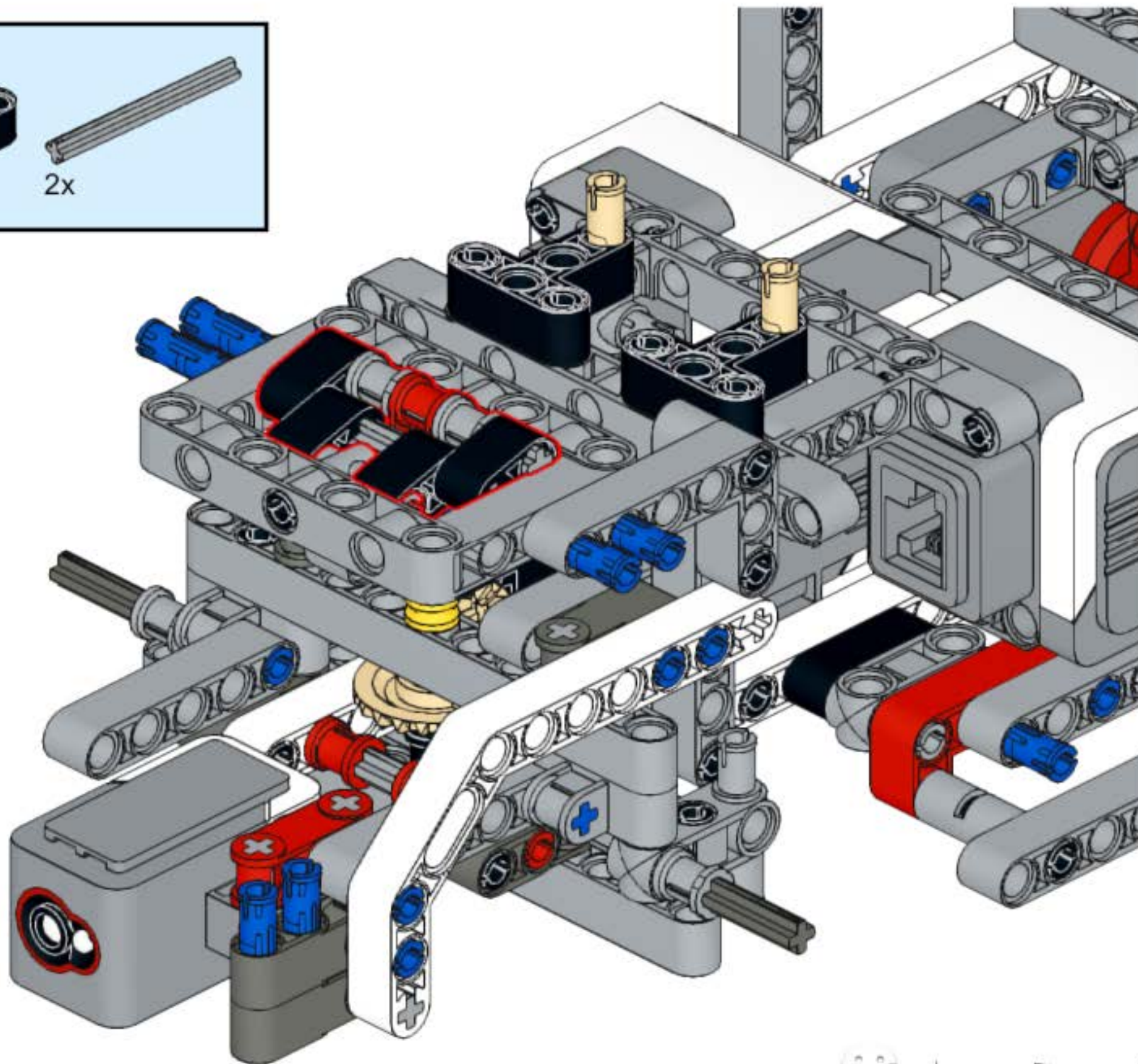
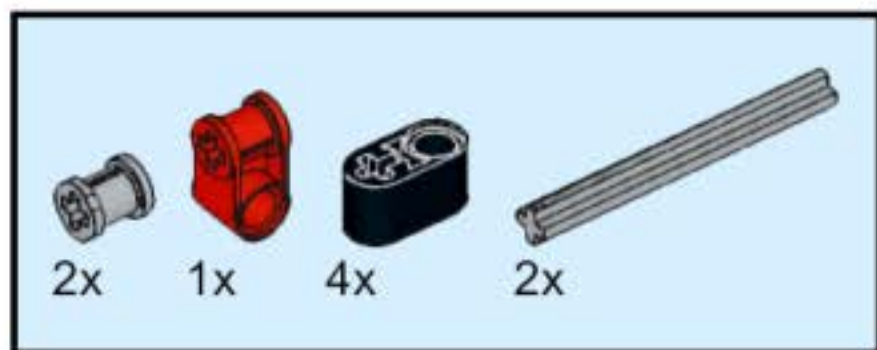
42



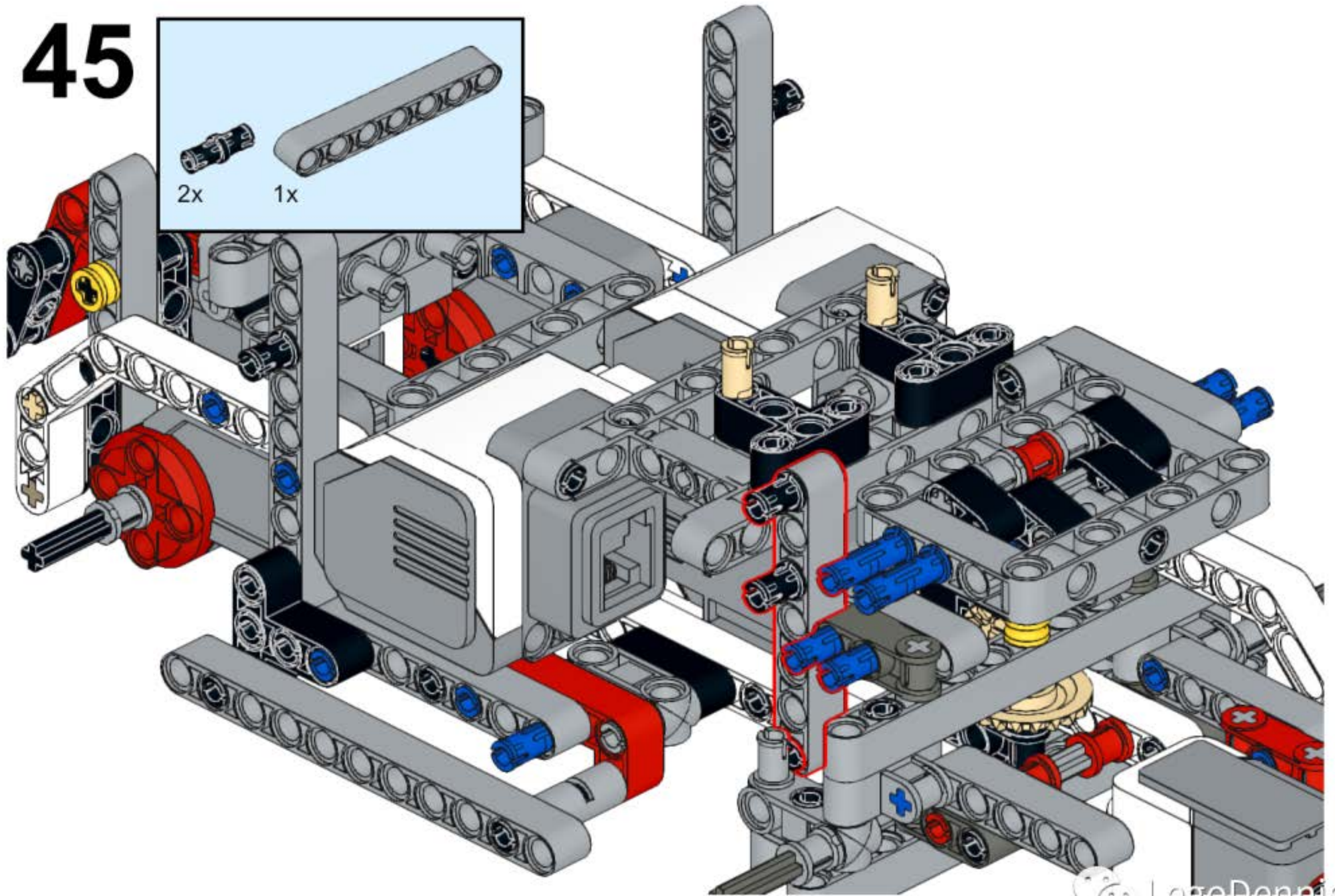
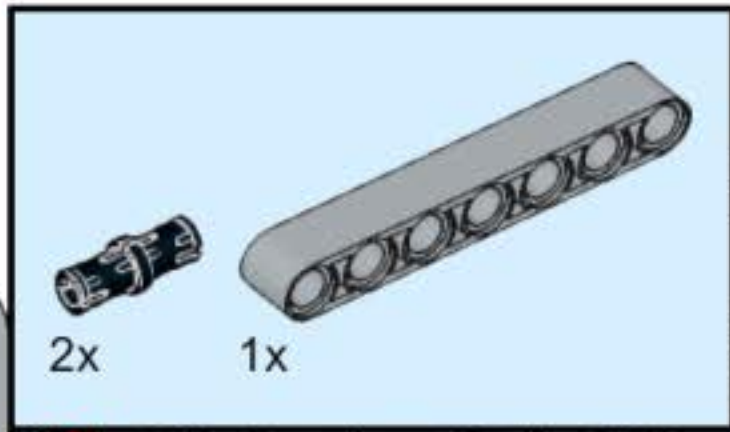
43



44

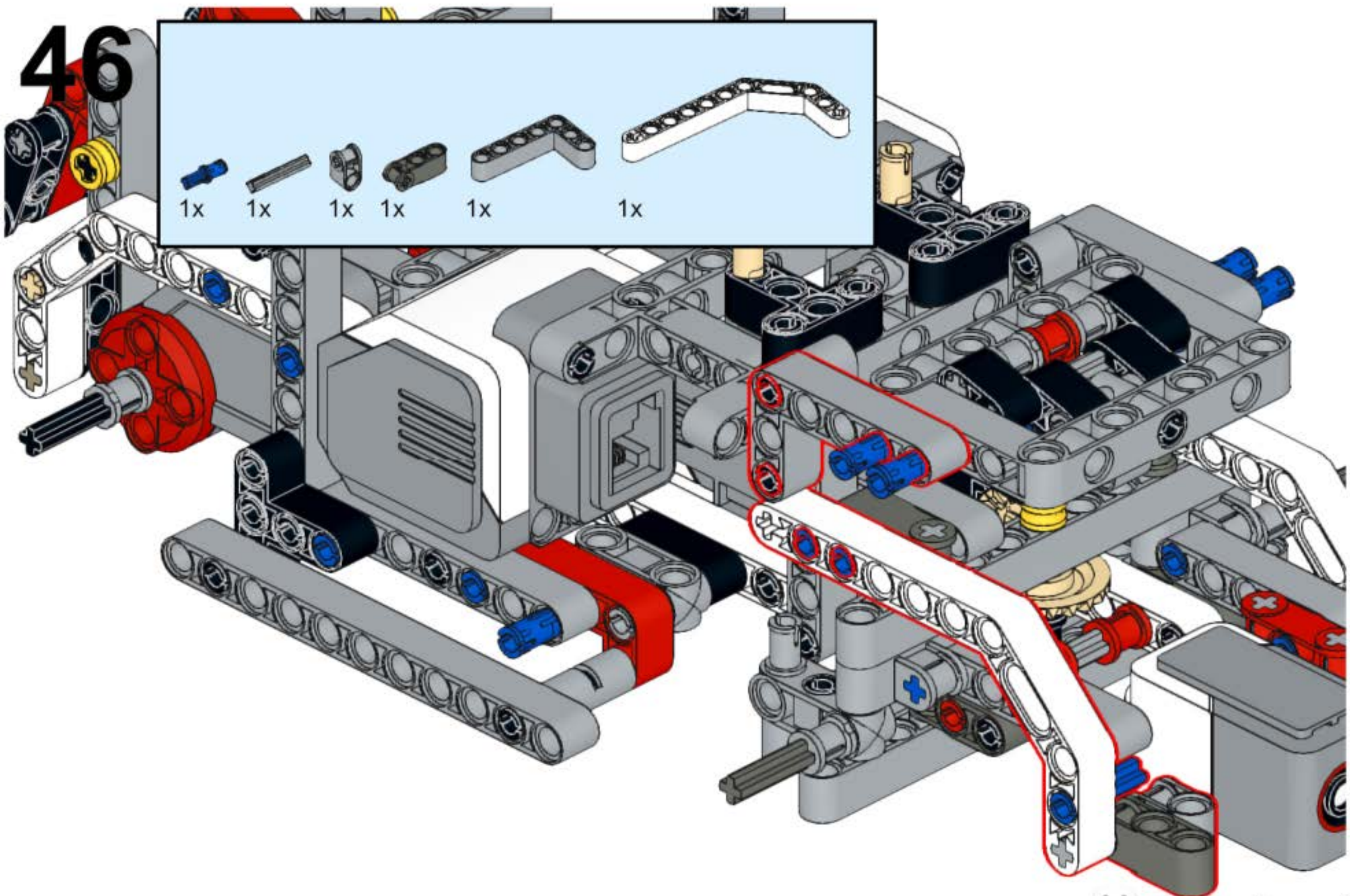


45

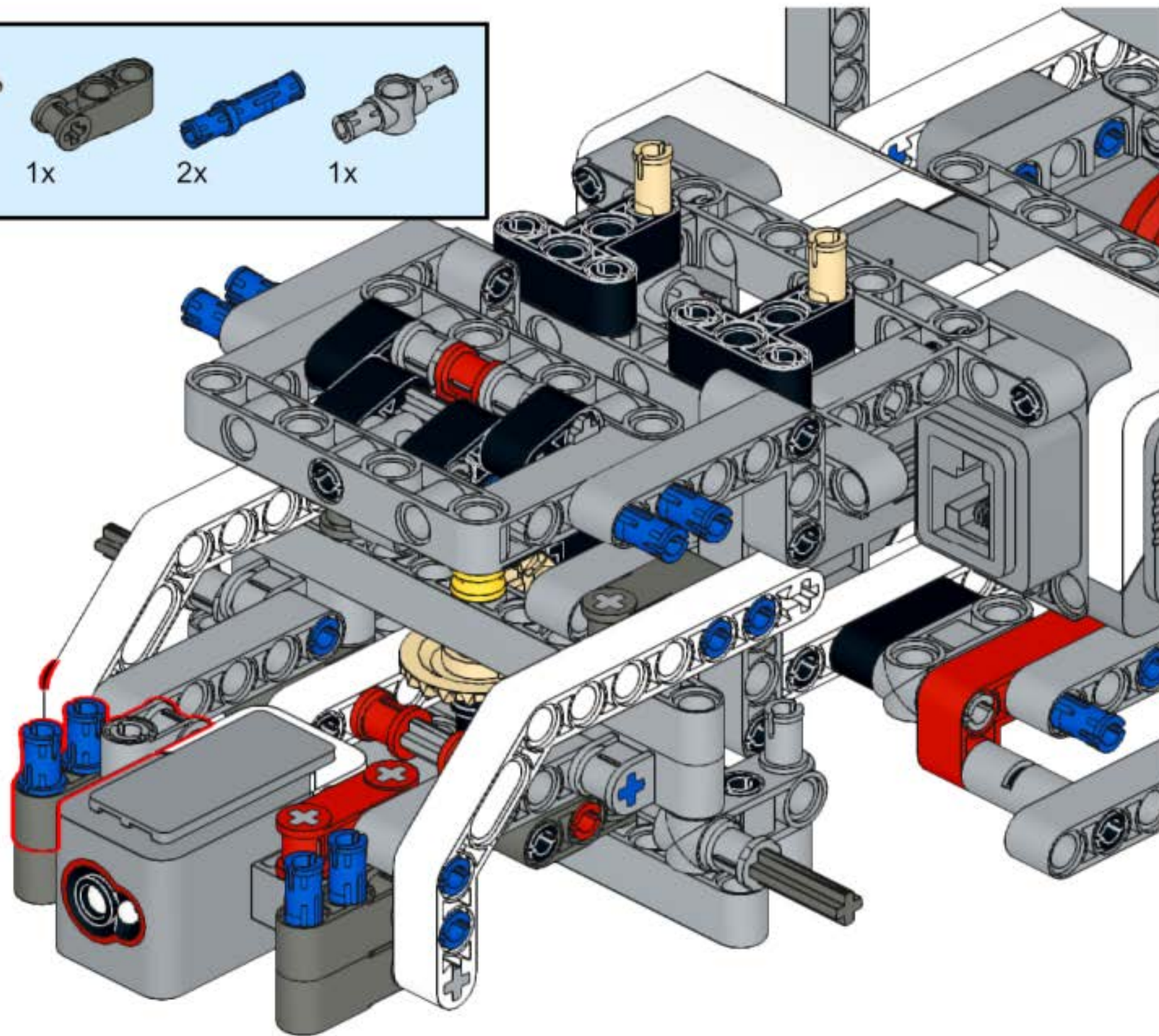
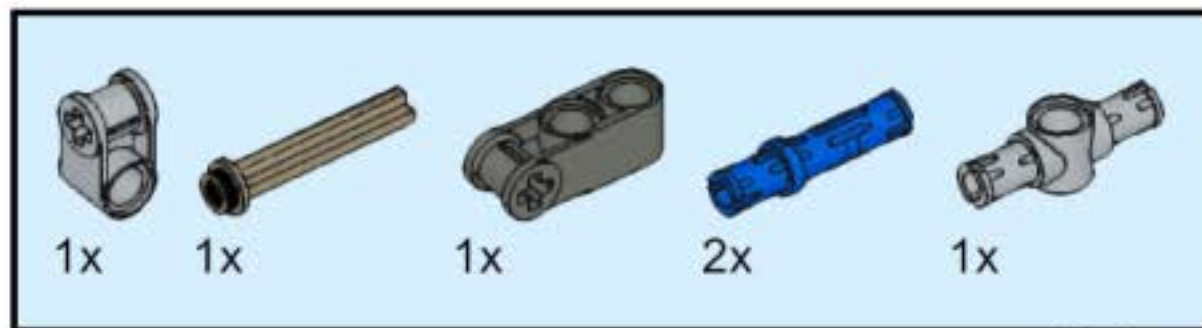


46

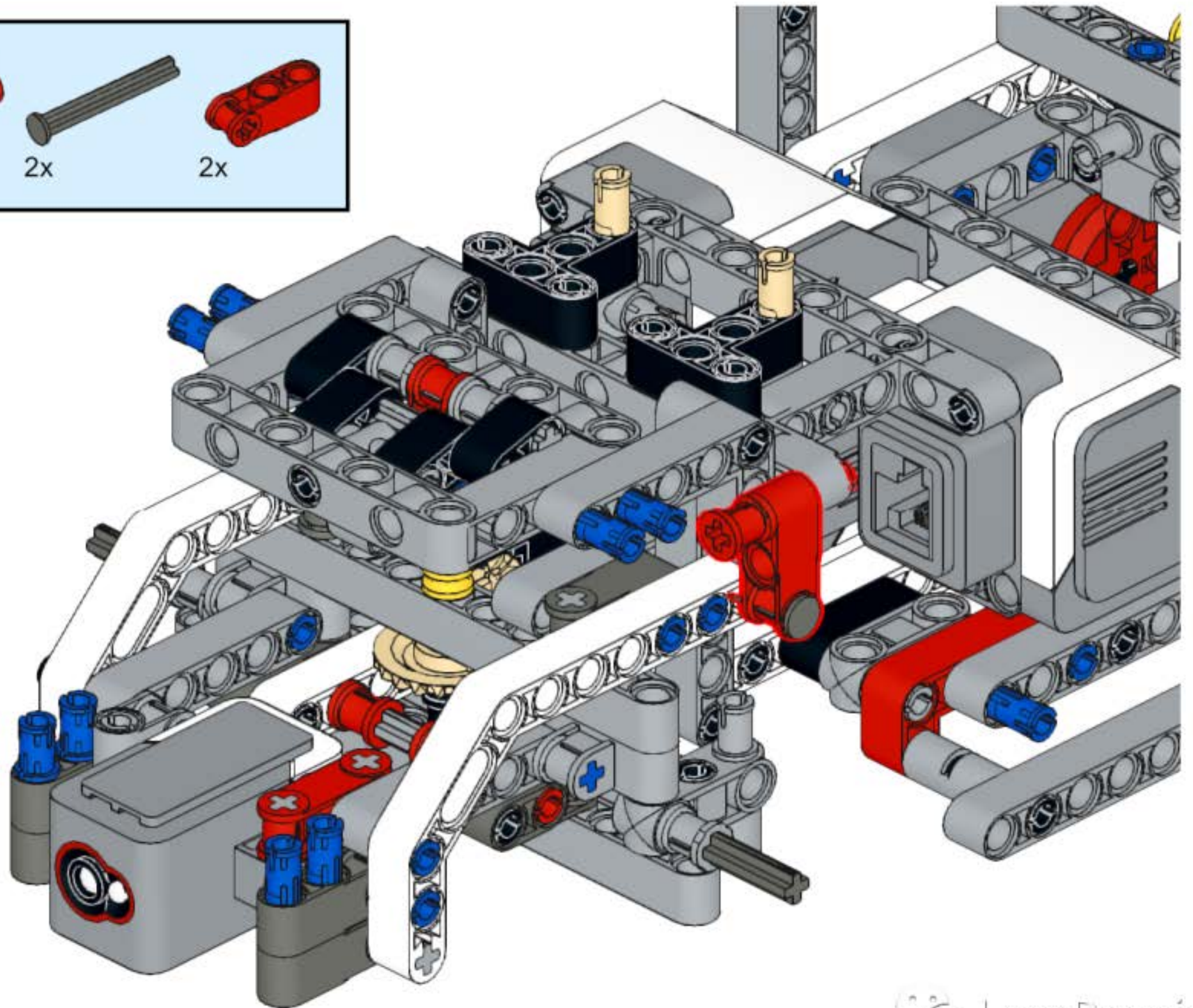
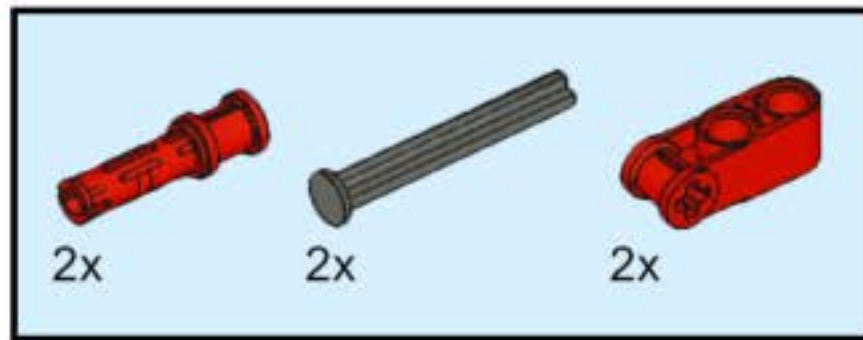
A light blue rectangular box containing a parts list for step 46. The list includes six items, each with a quantity of '1x' below it. From left to right: a blue pin, a grey axle, a grey bush, a grey 1x2 Technic brick, a grey 1x3 Technic brick, and a white 1x5 Technic Techniflex beam.



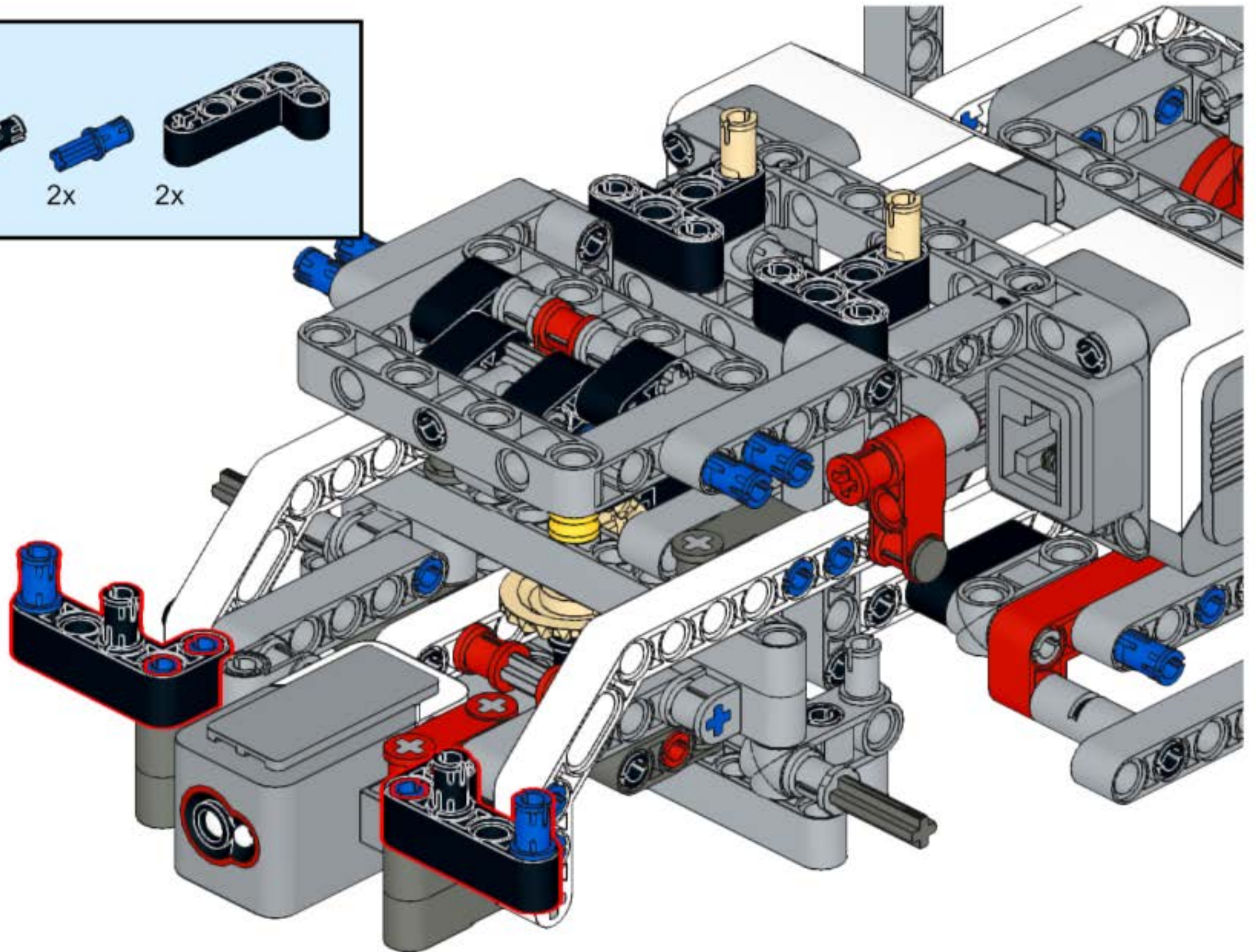
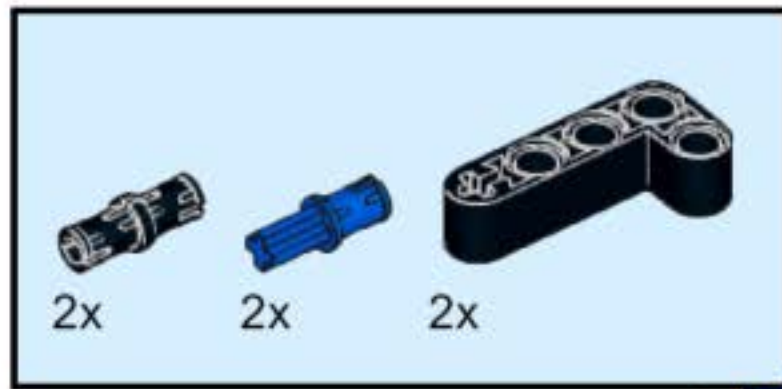
47



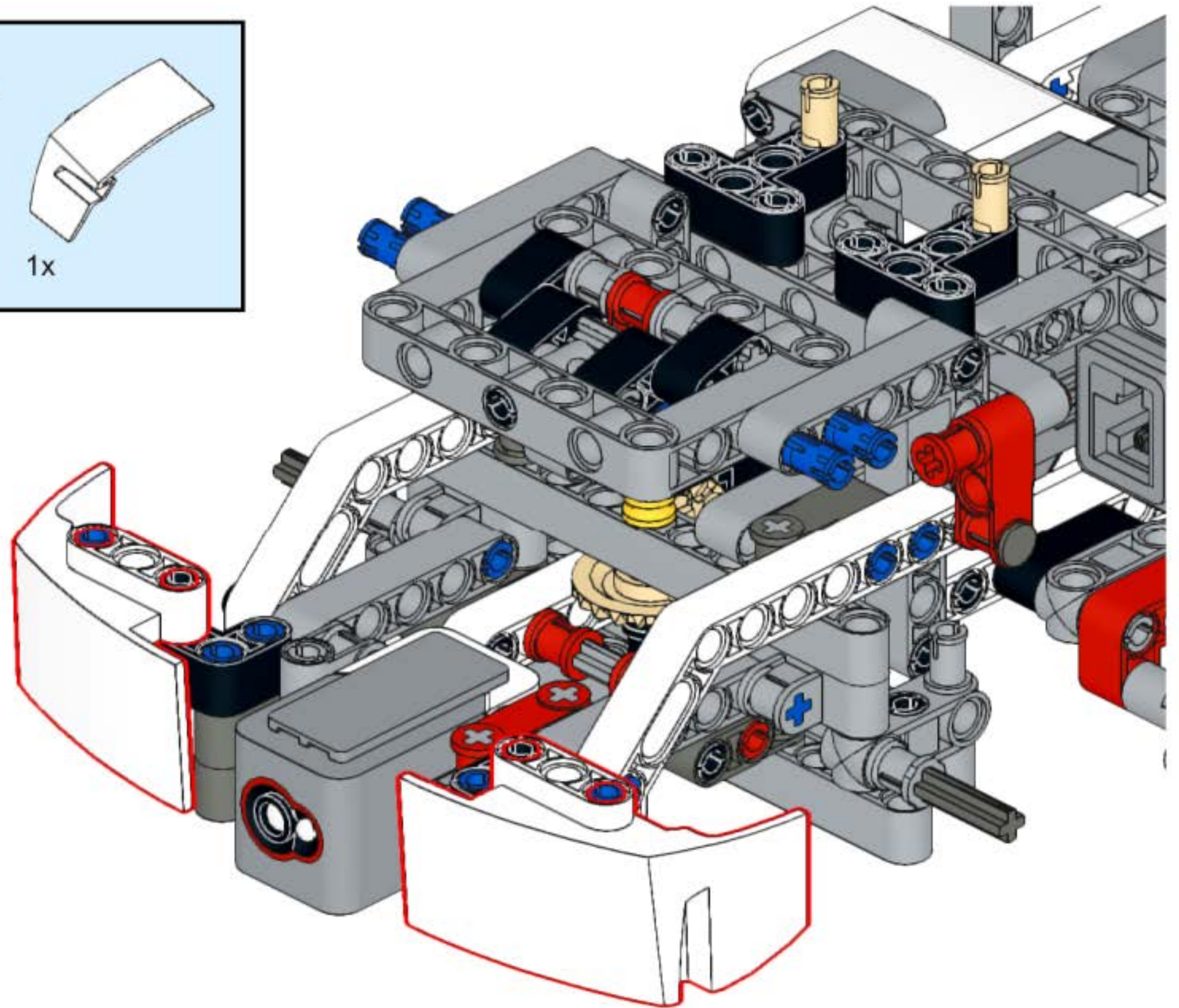
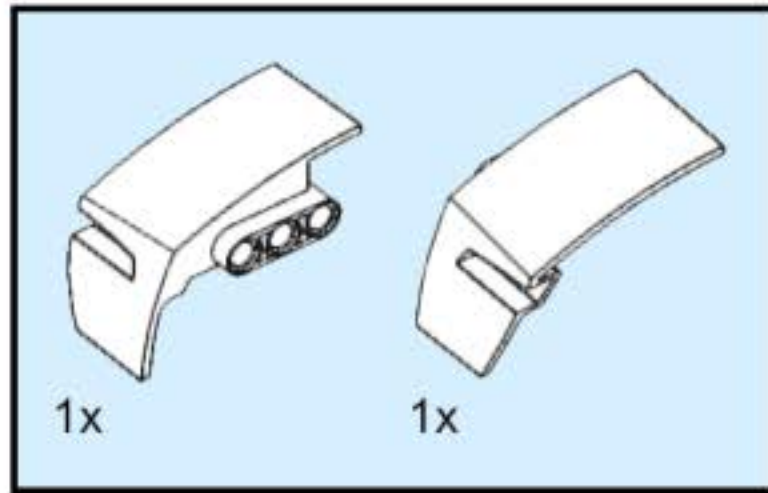
48



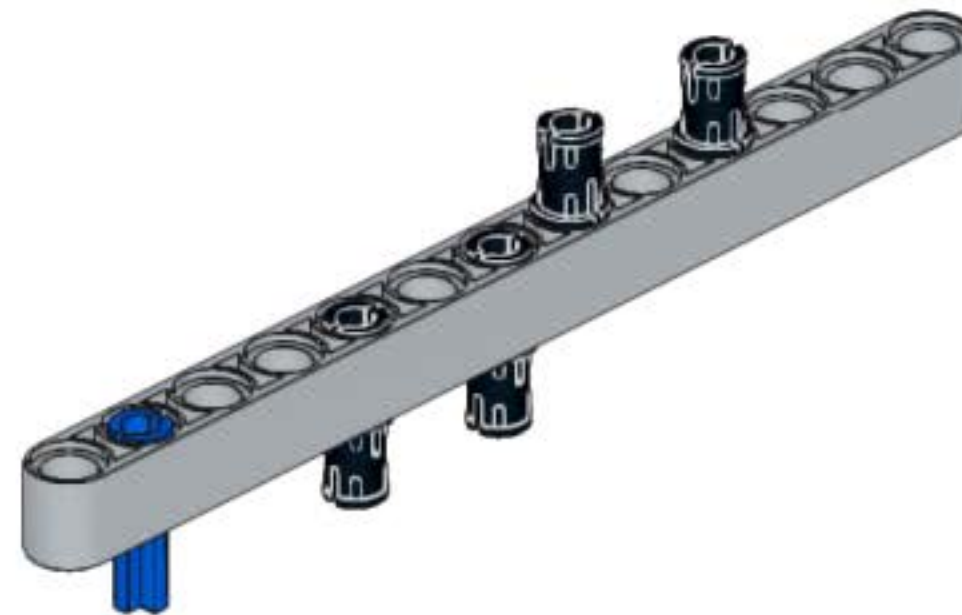
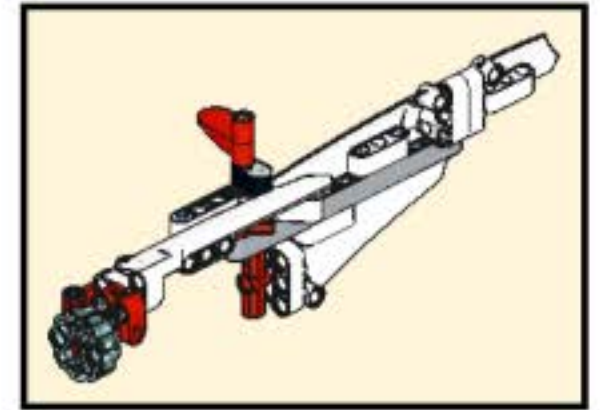
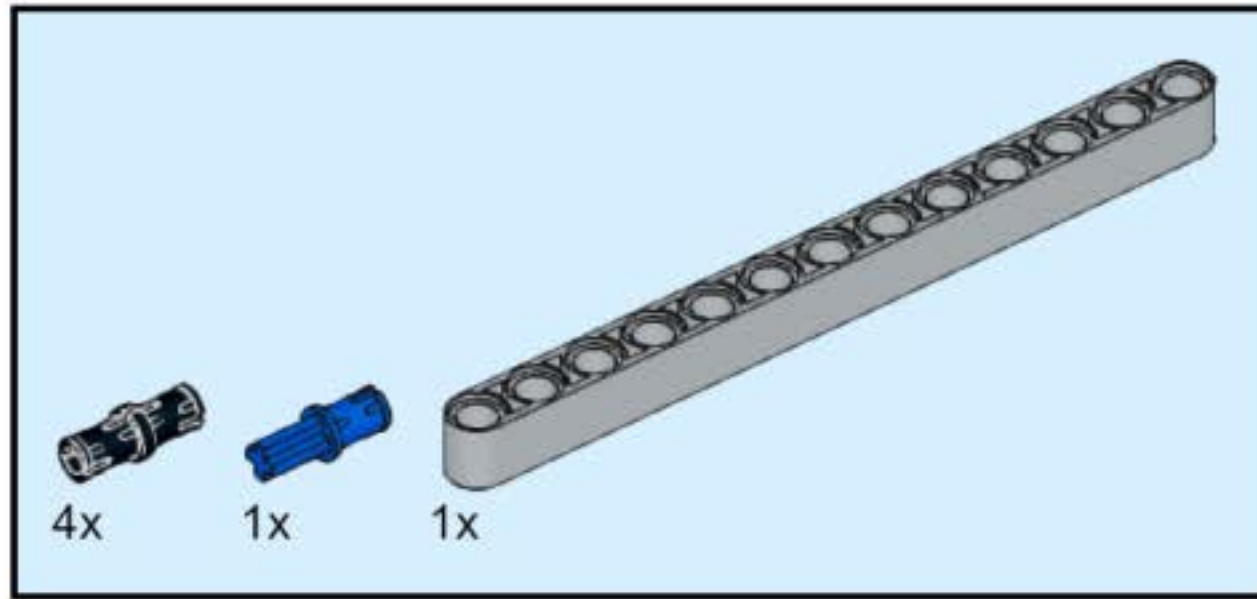
49



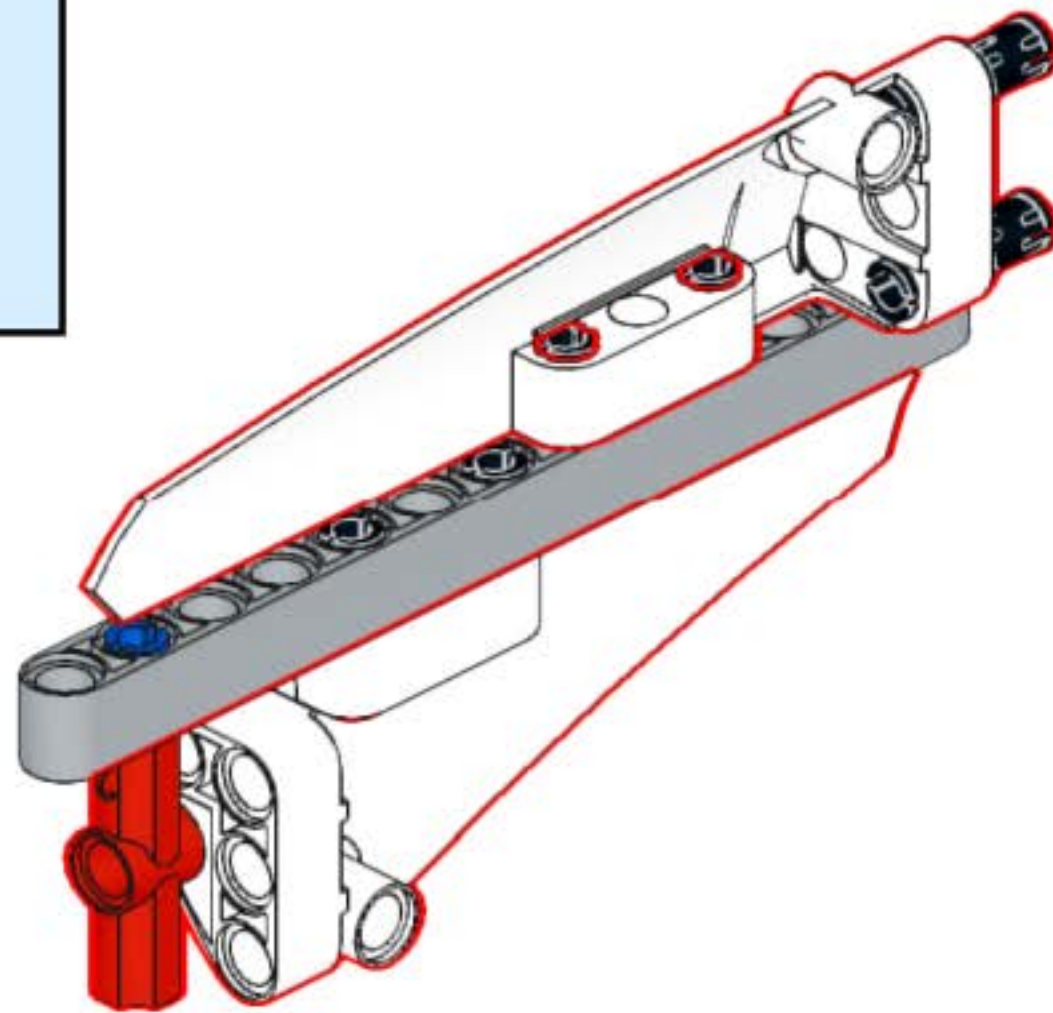
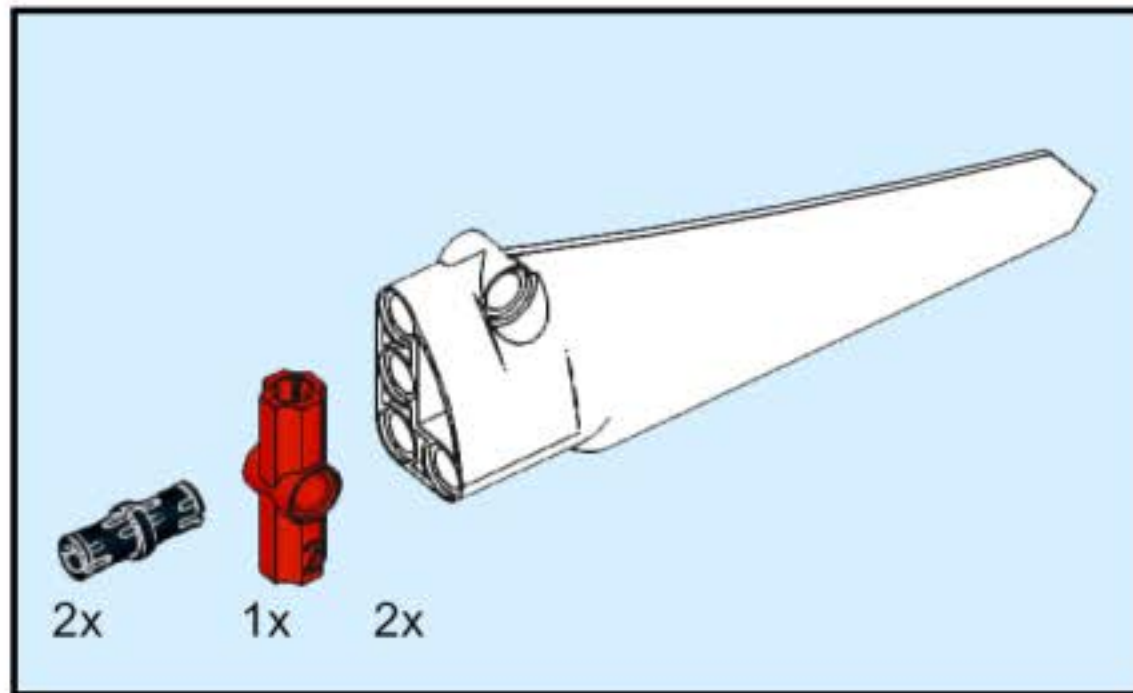
50



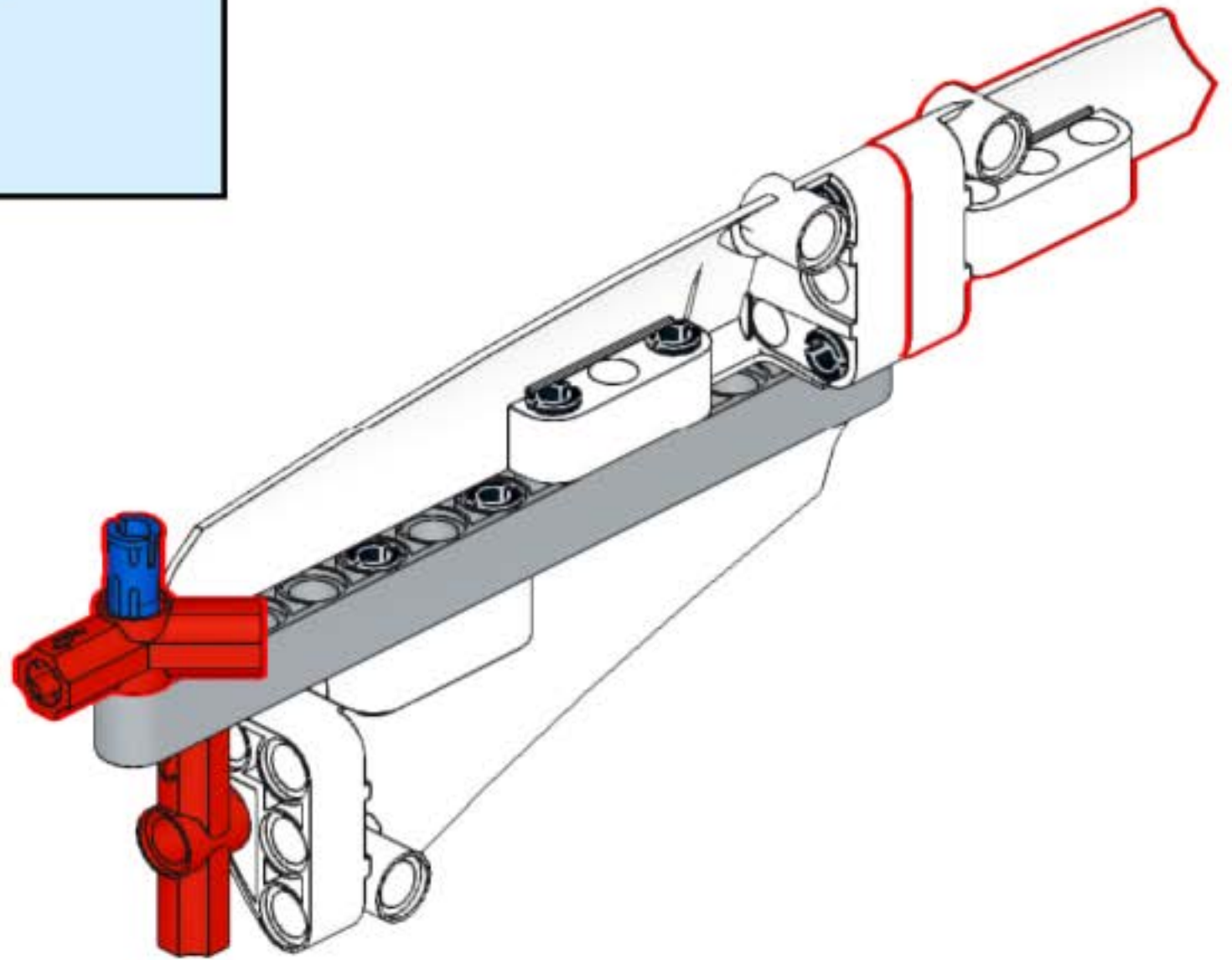
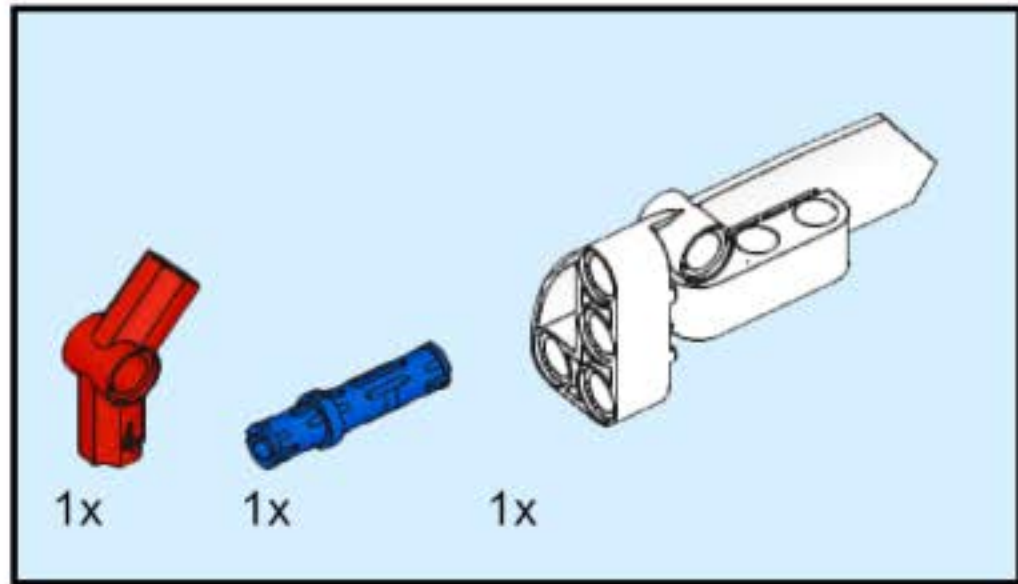
51



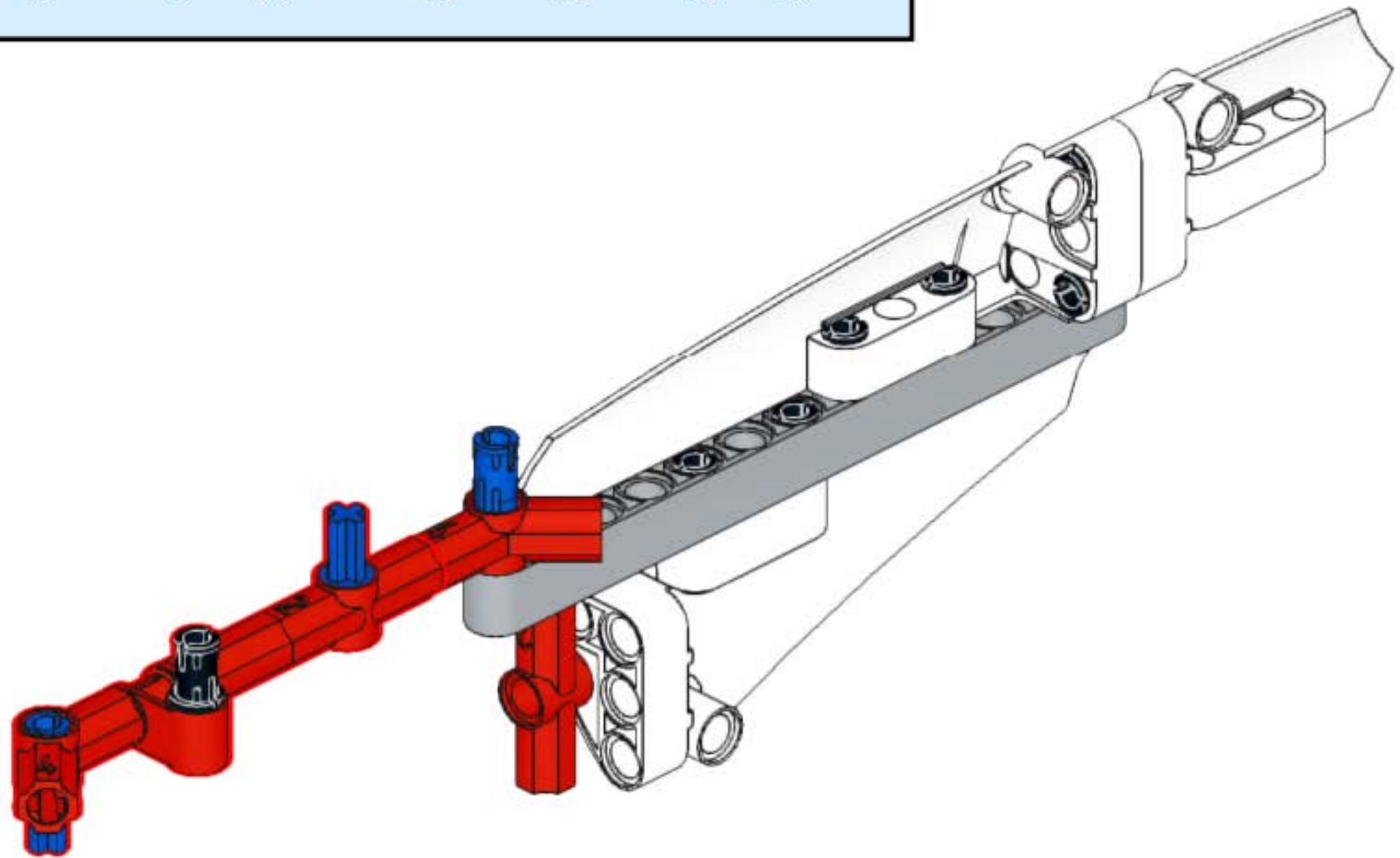
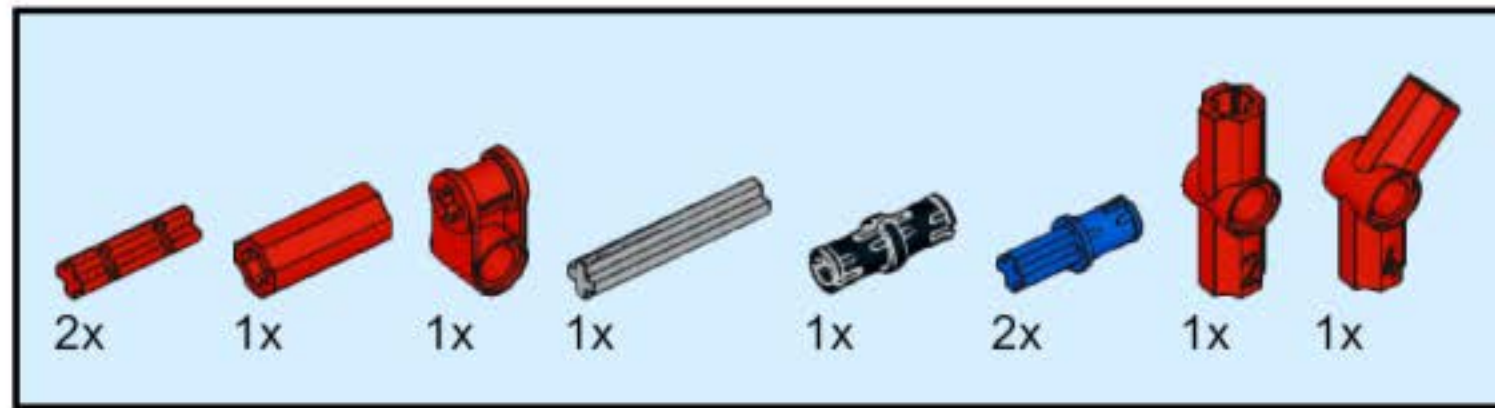
52



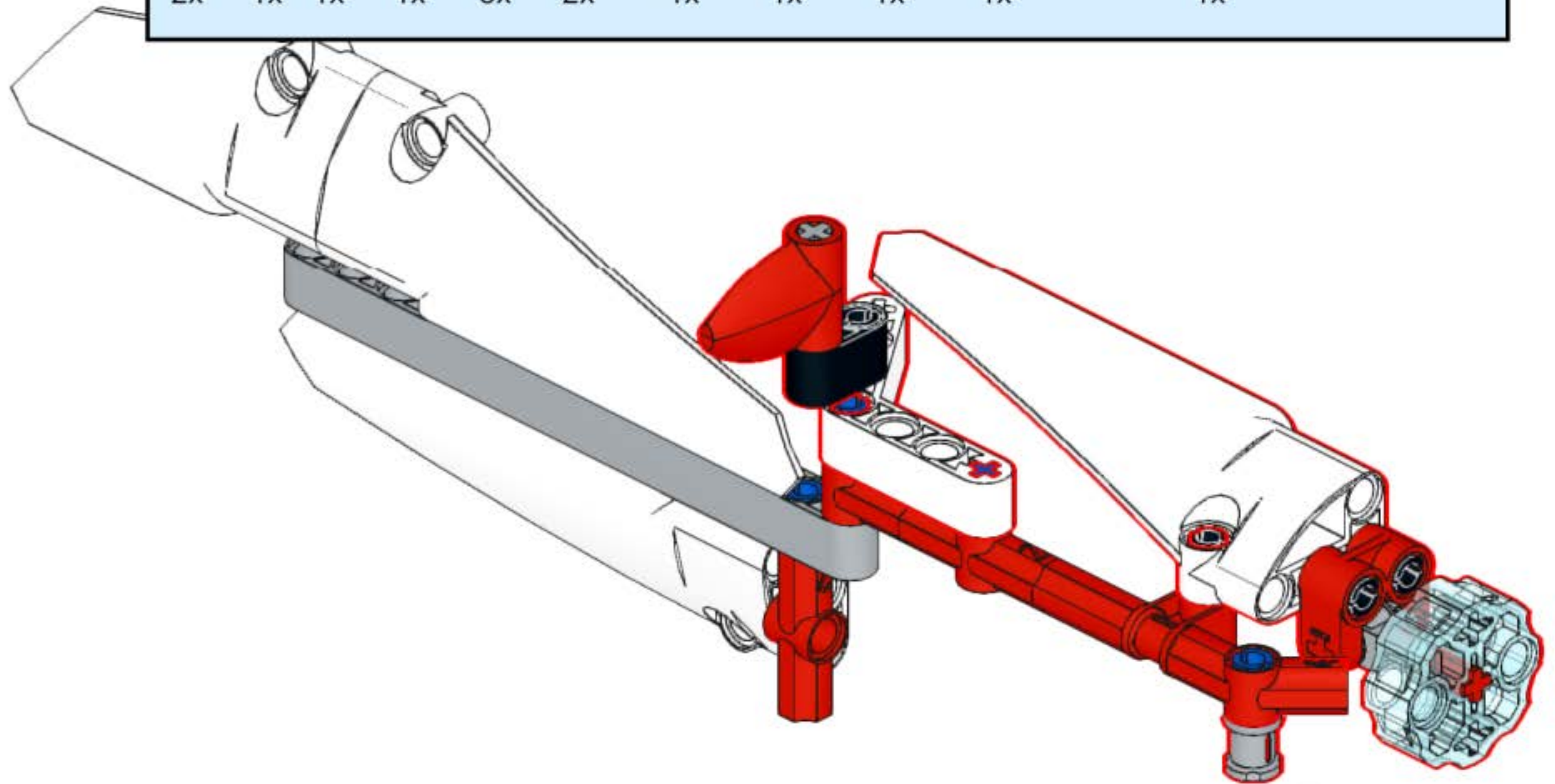
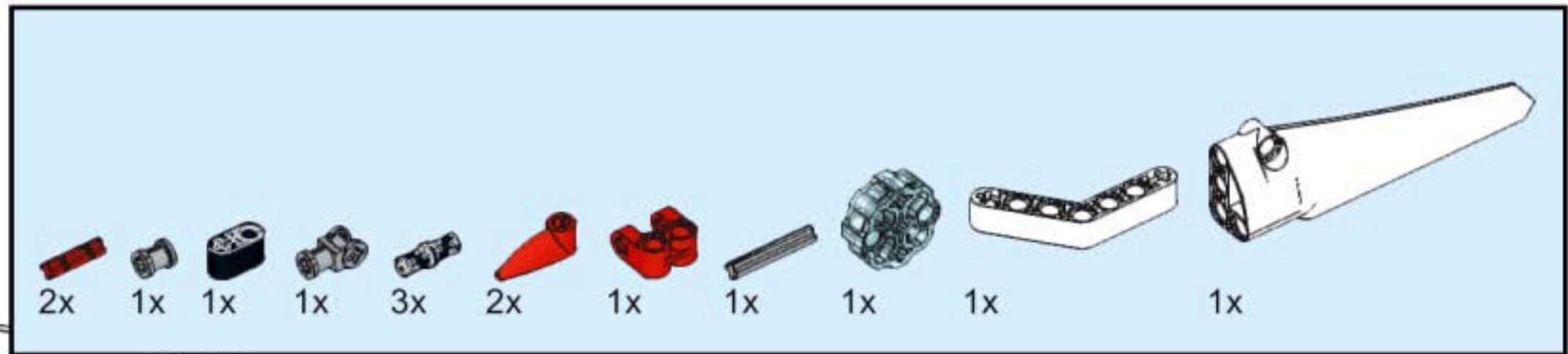
53



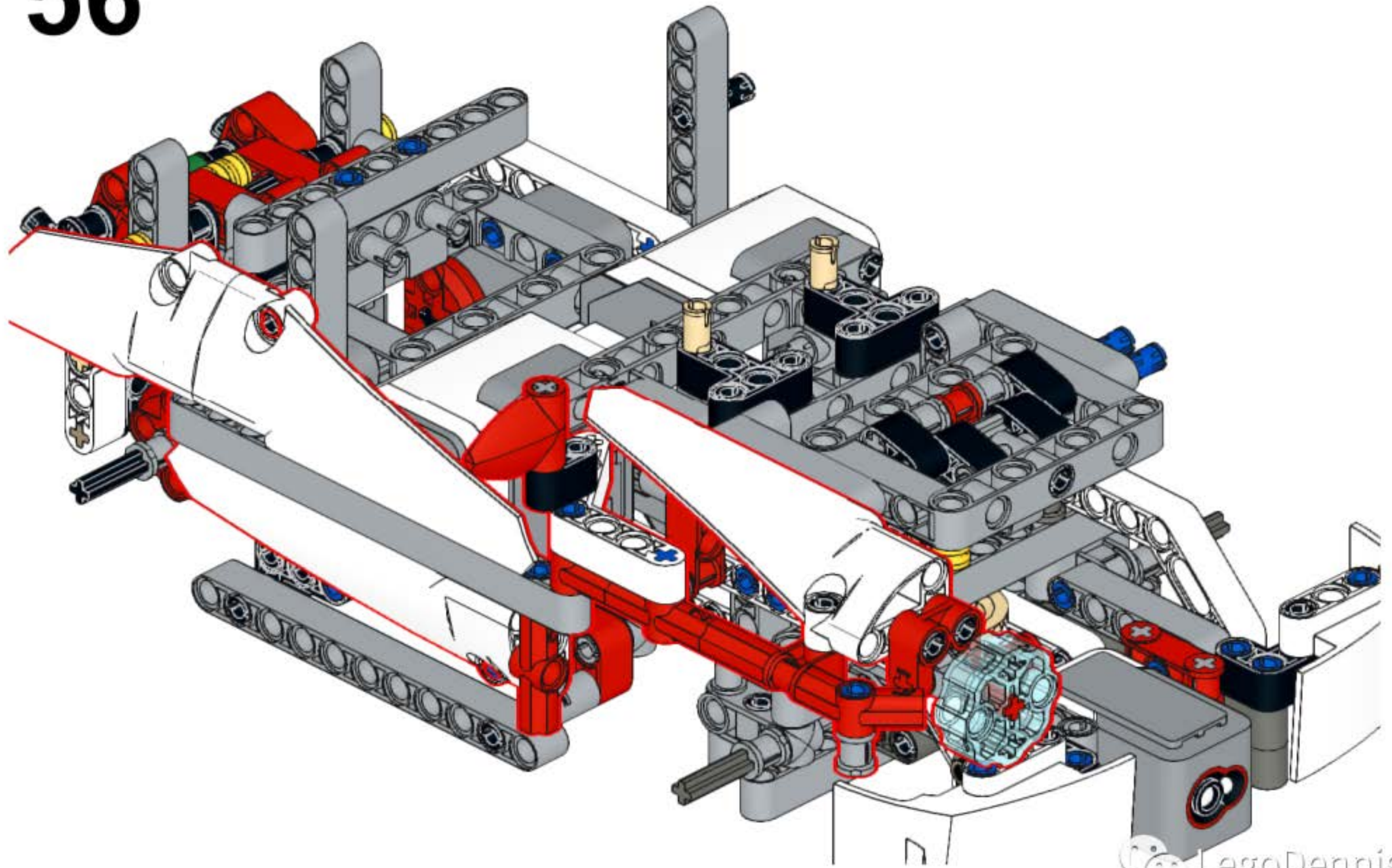
54



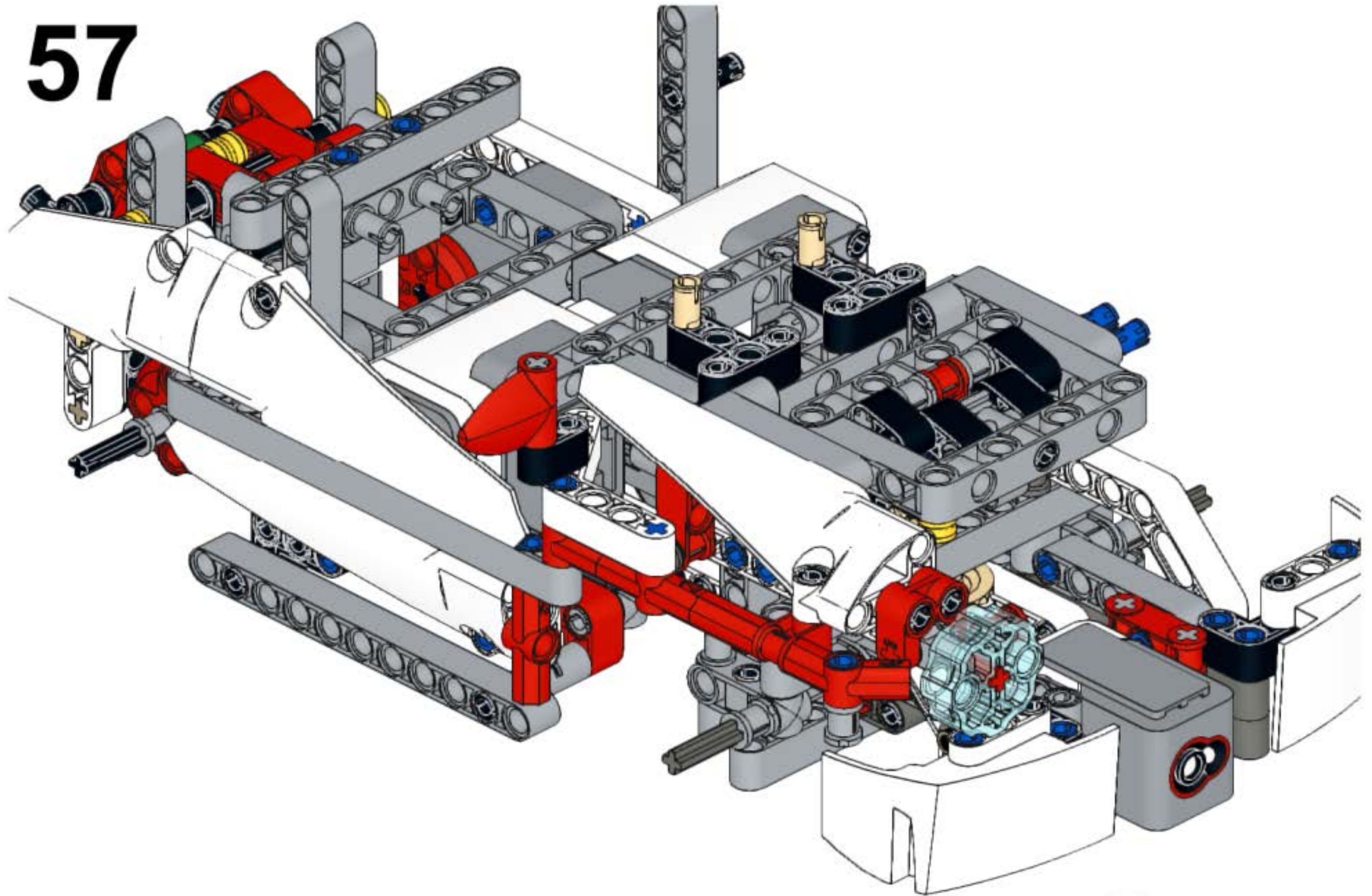
55



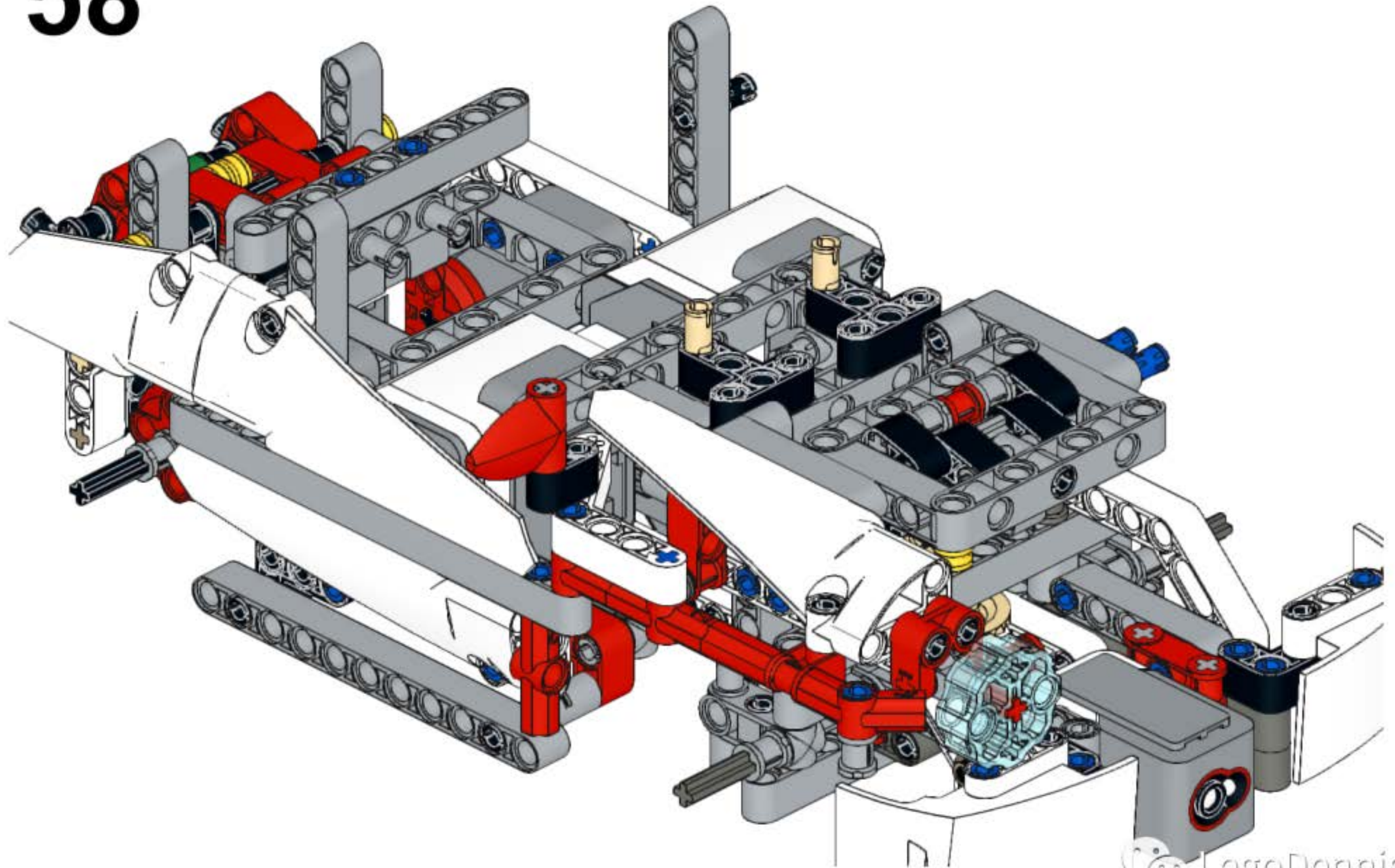
56



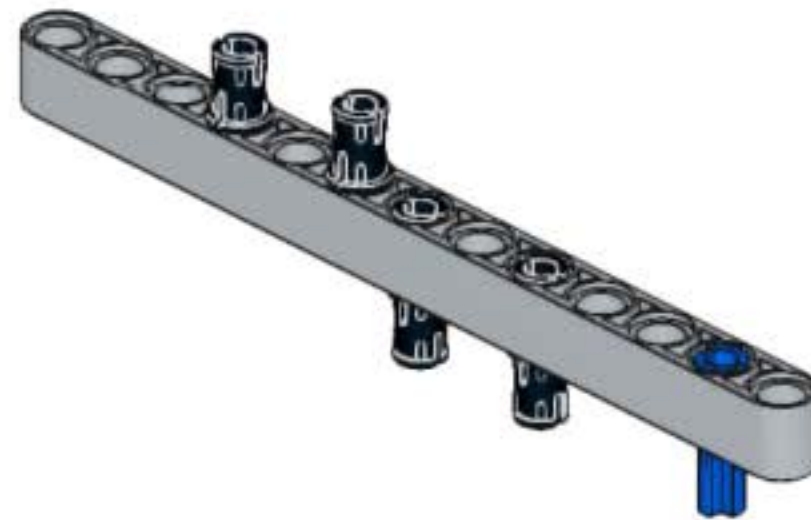
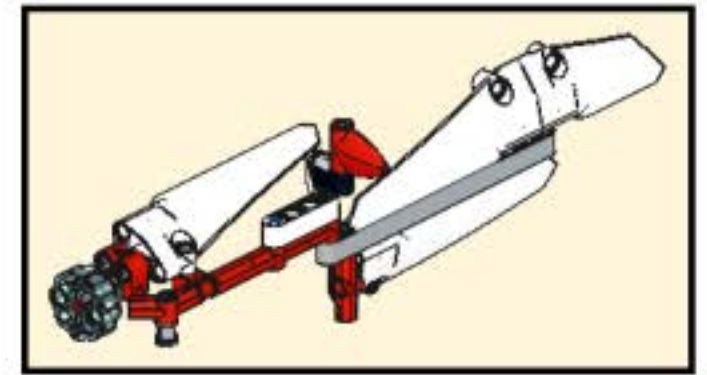
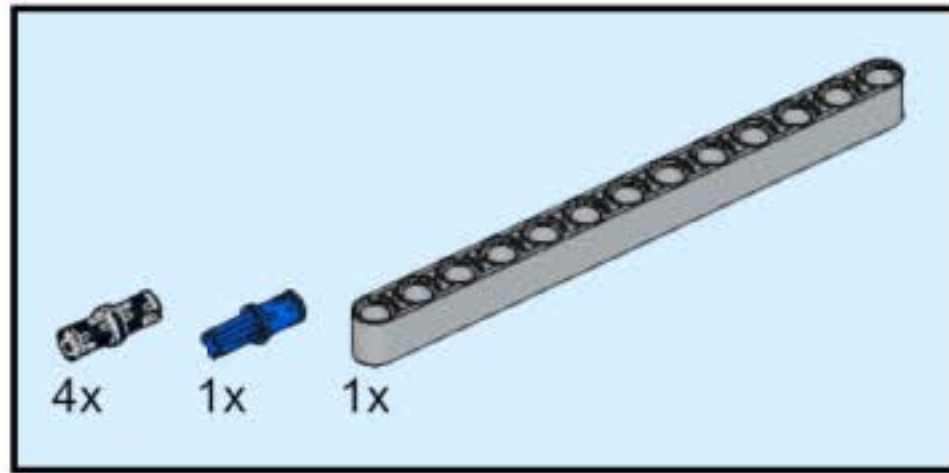
57



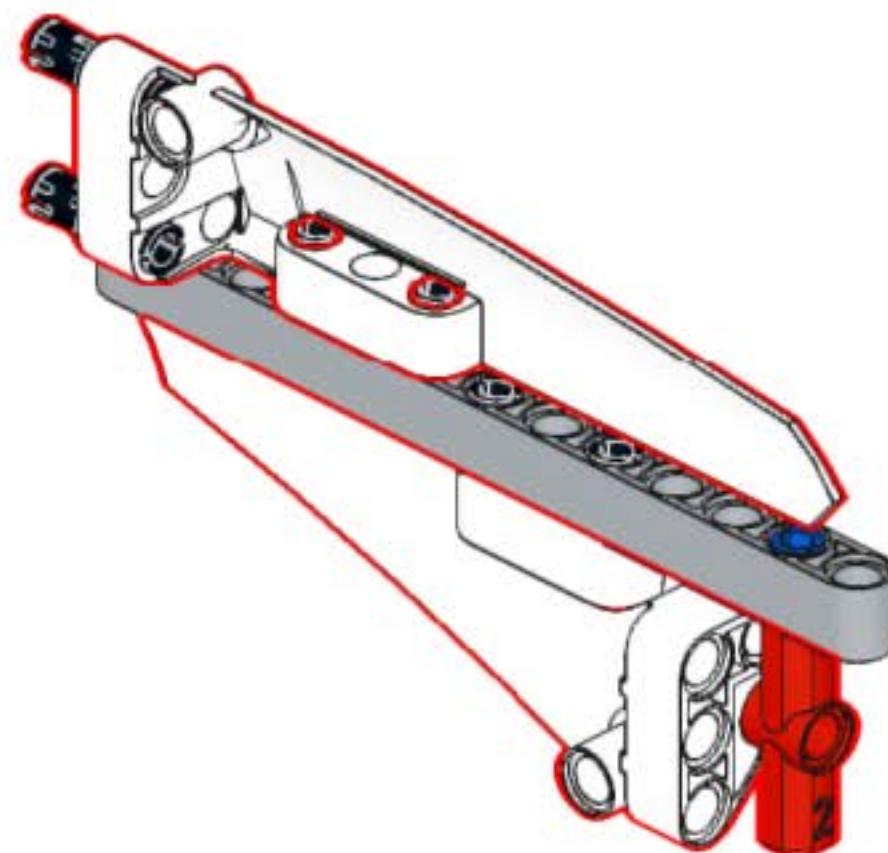
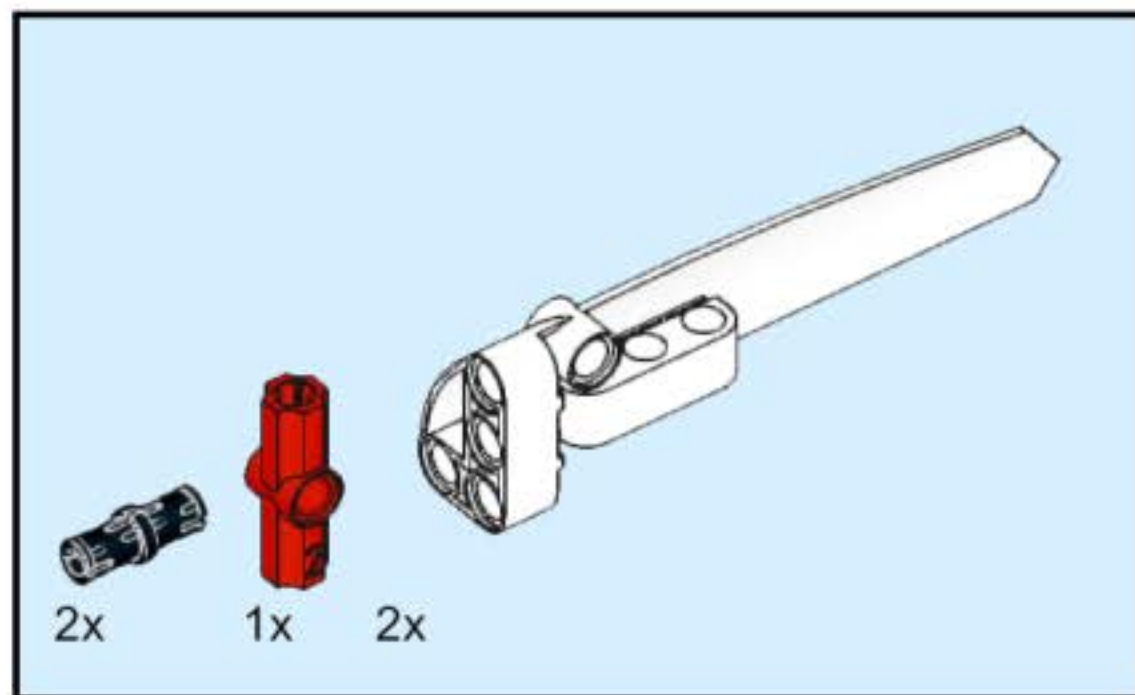
58



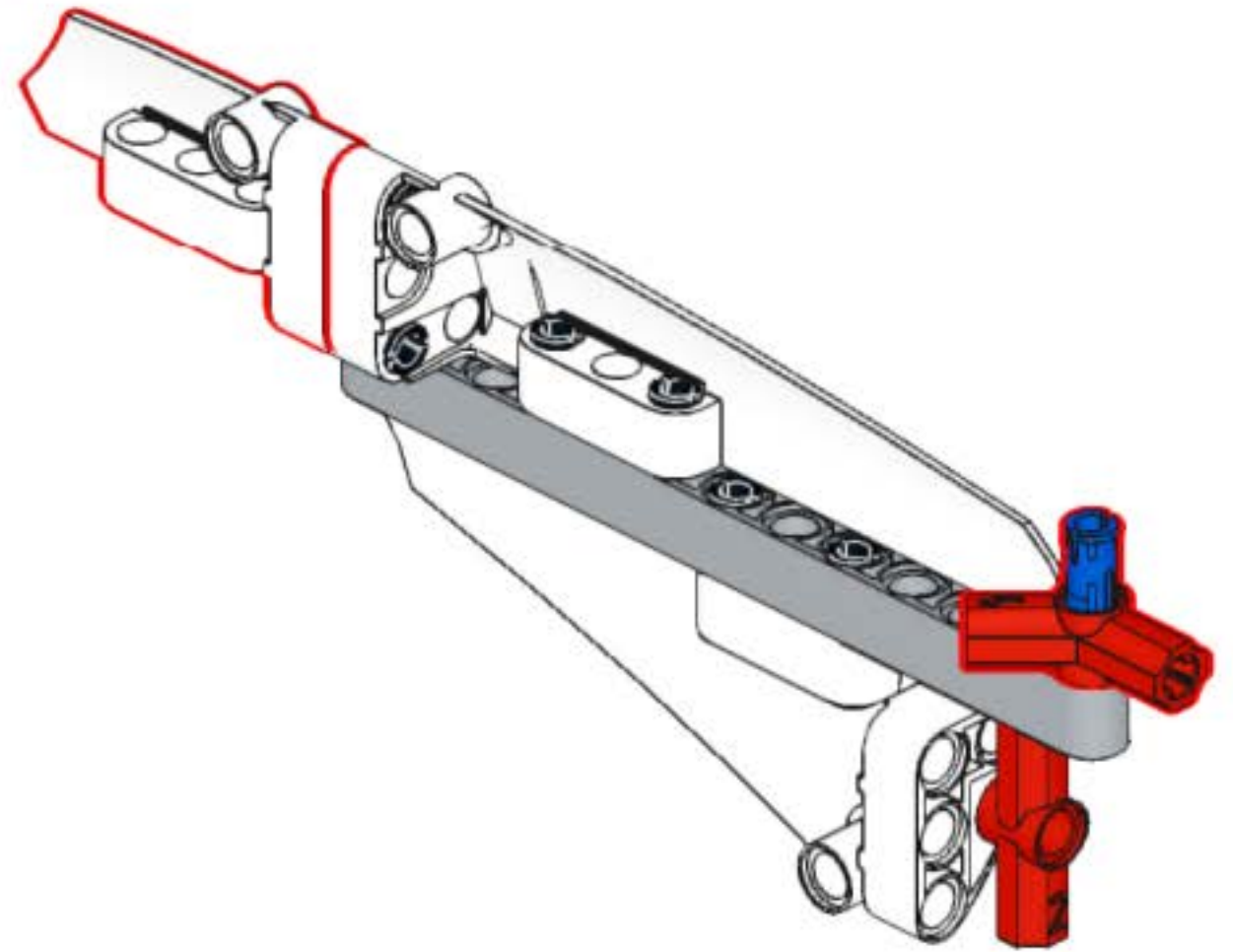
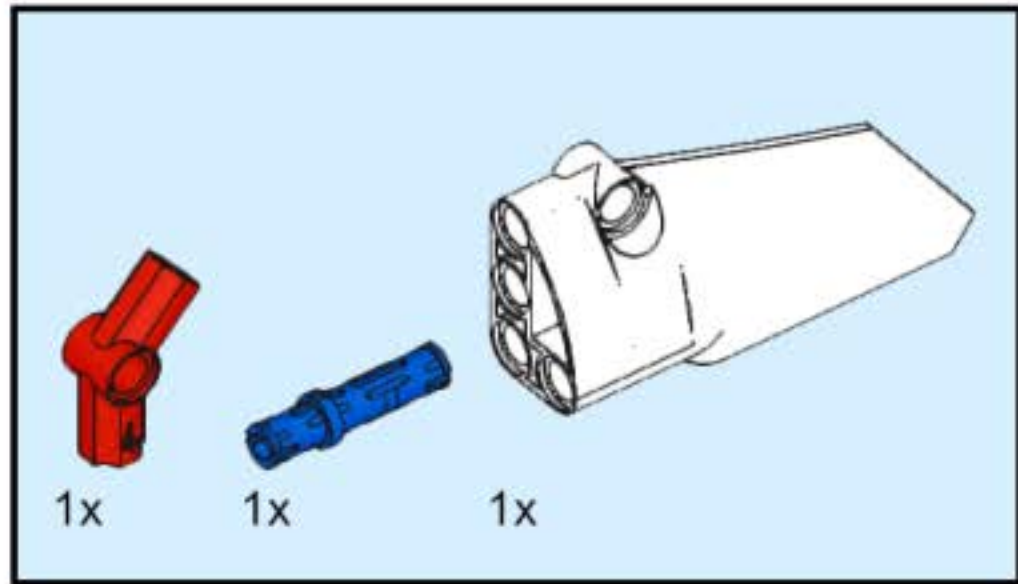
59



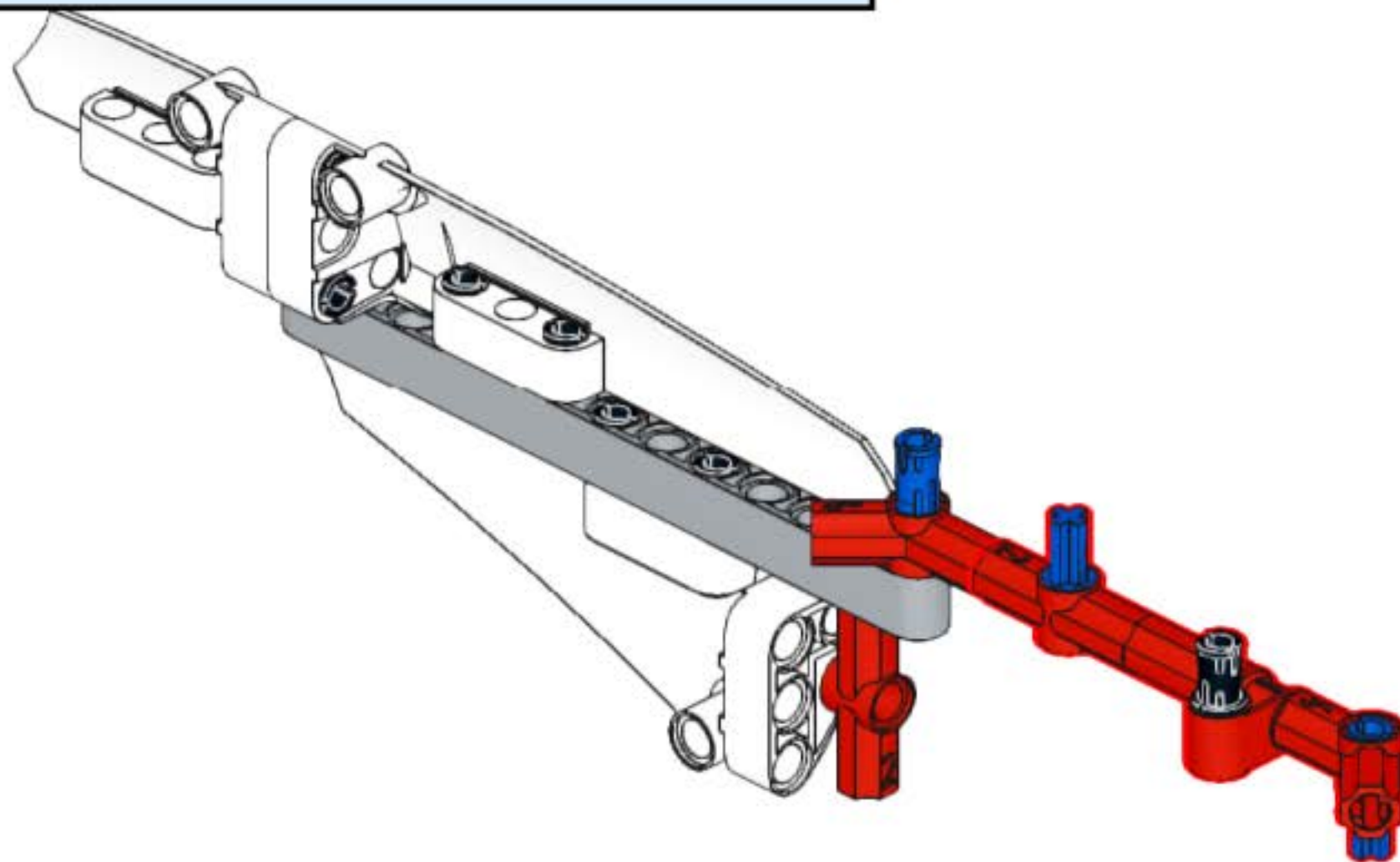
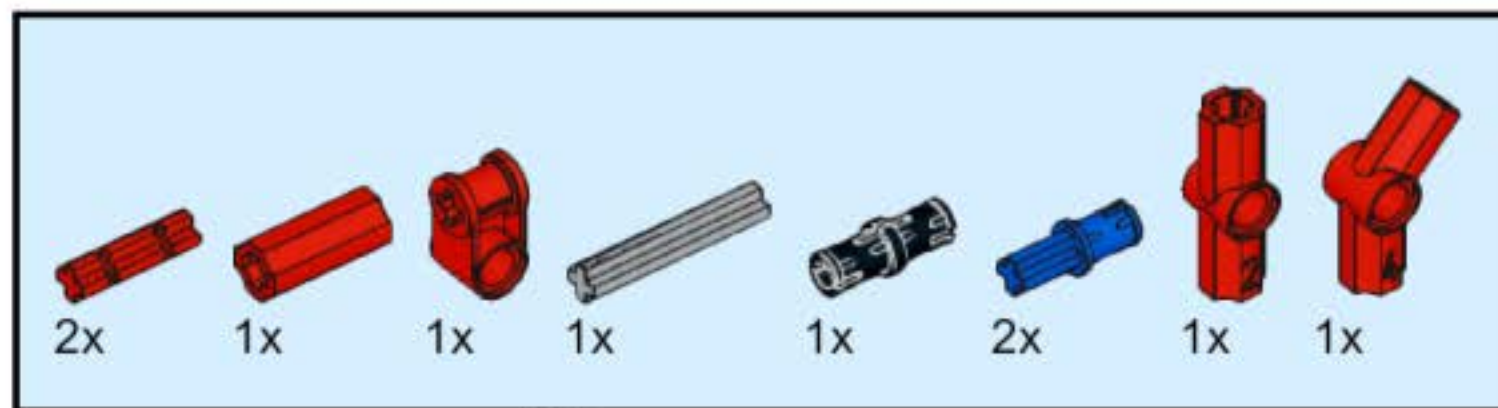
60



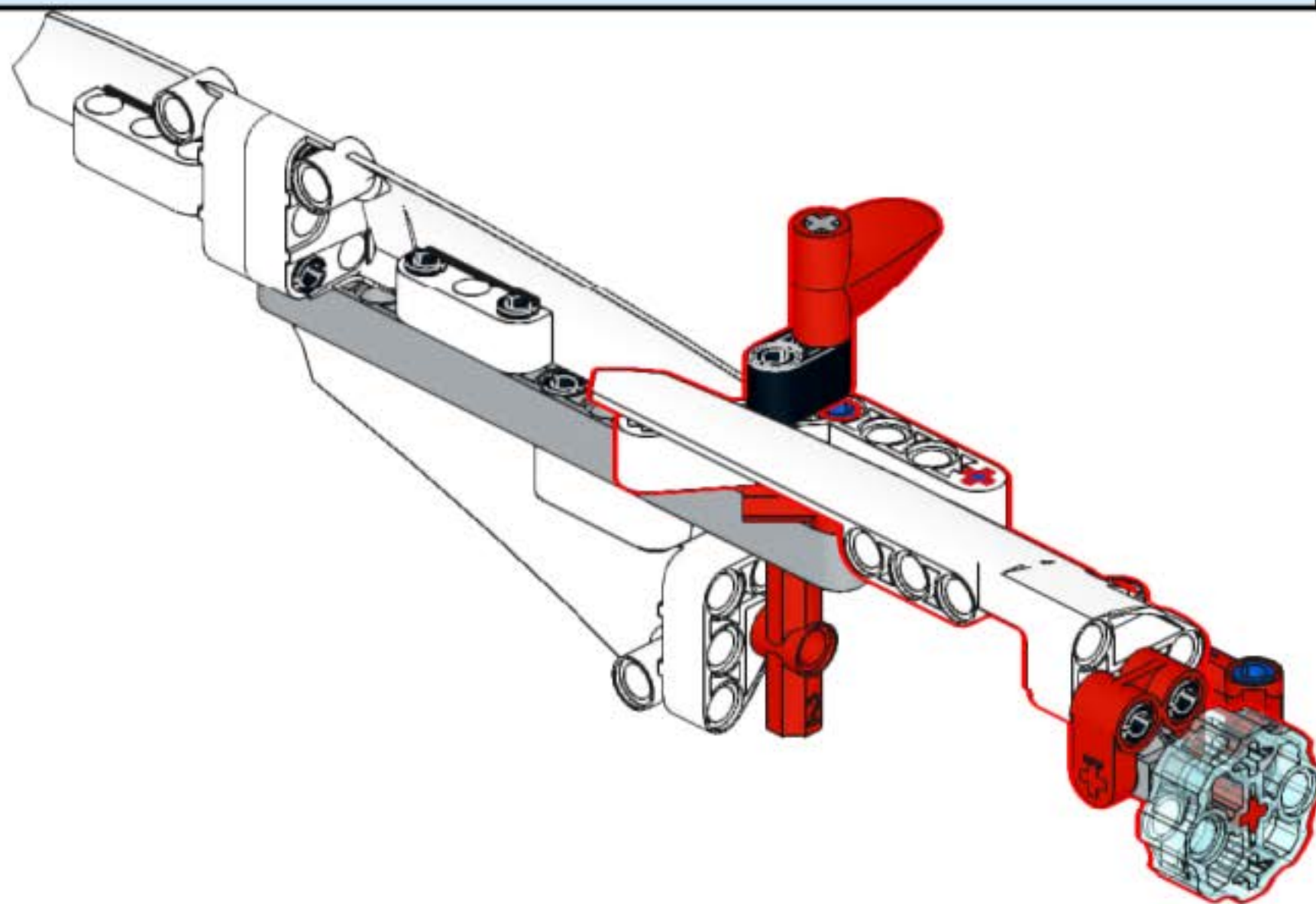
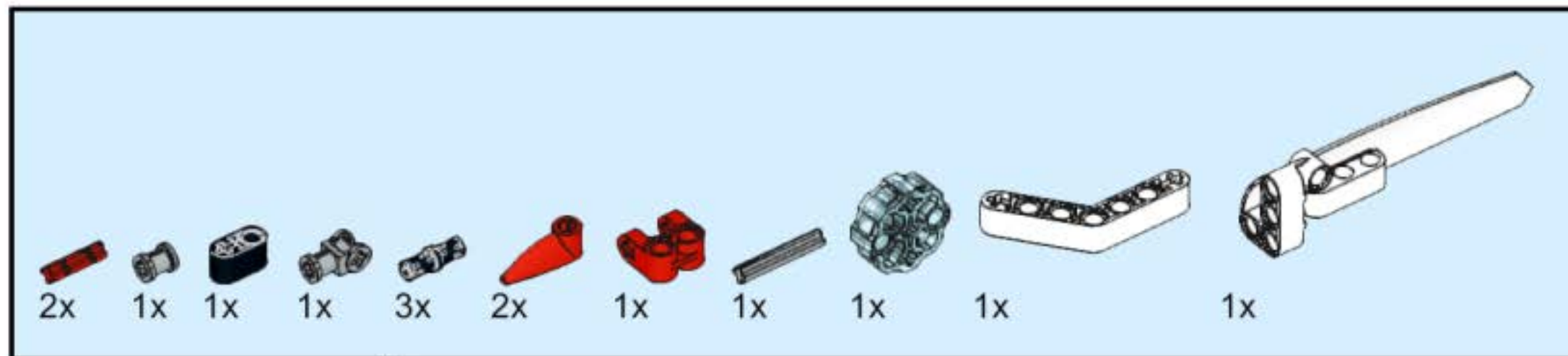
61



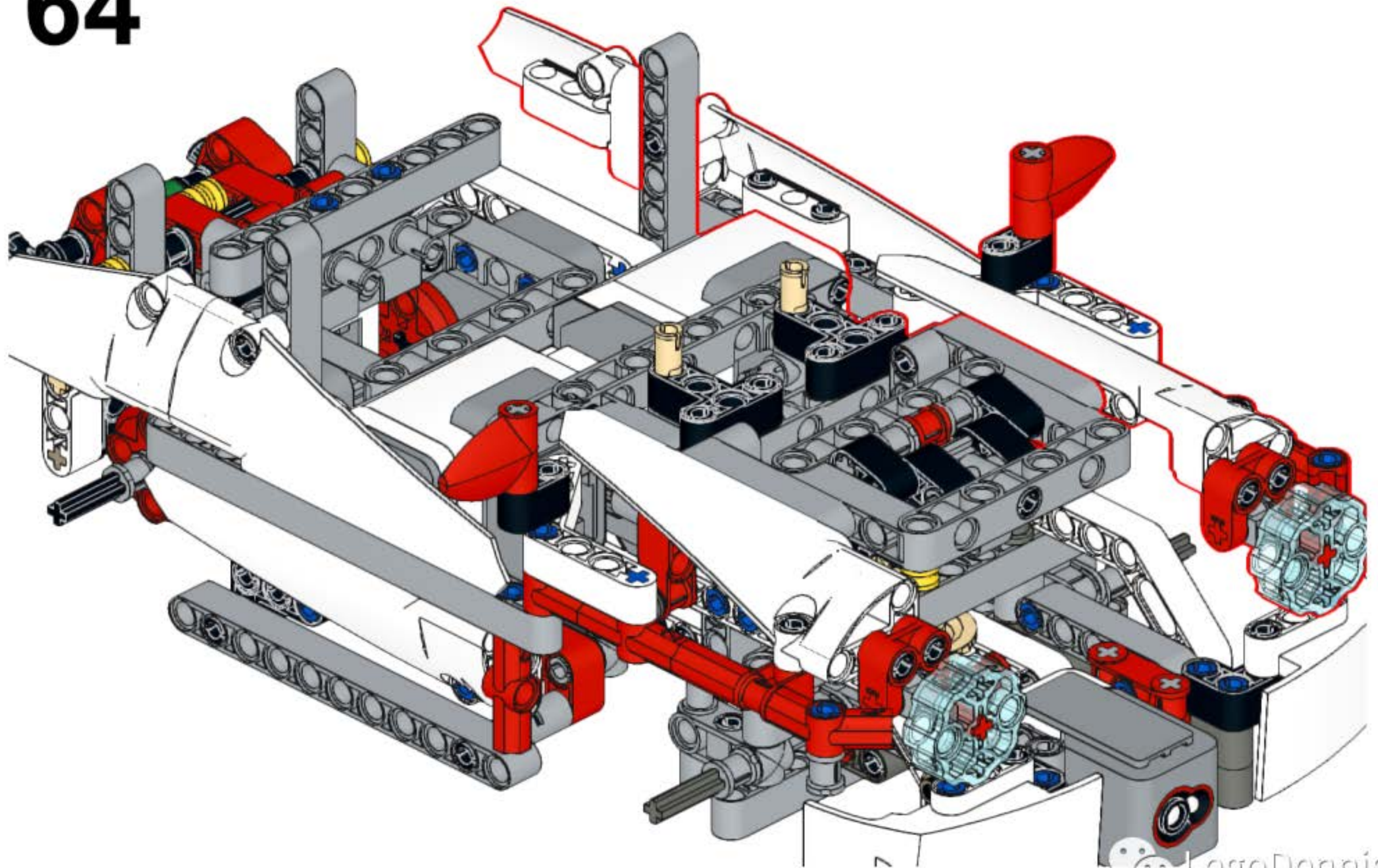
62



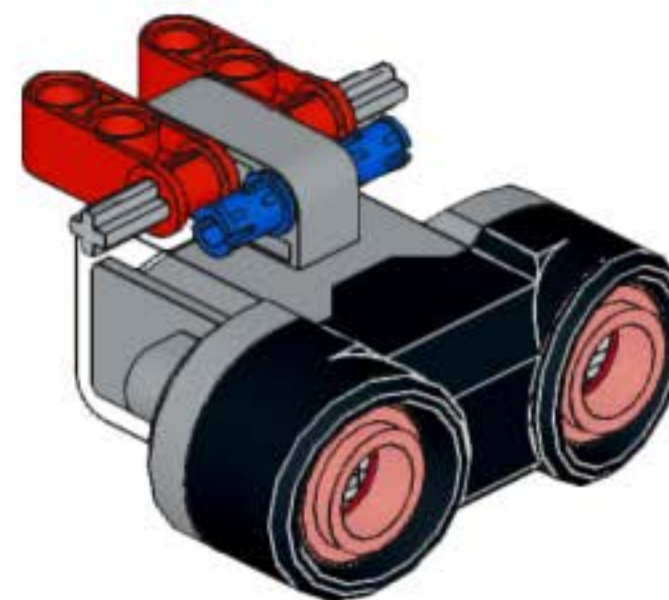
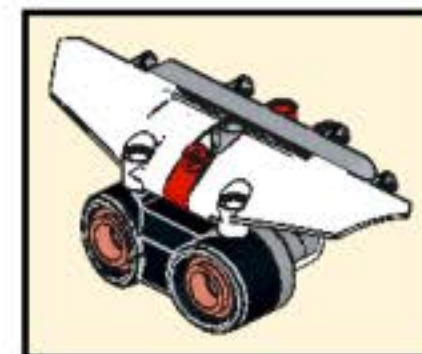
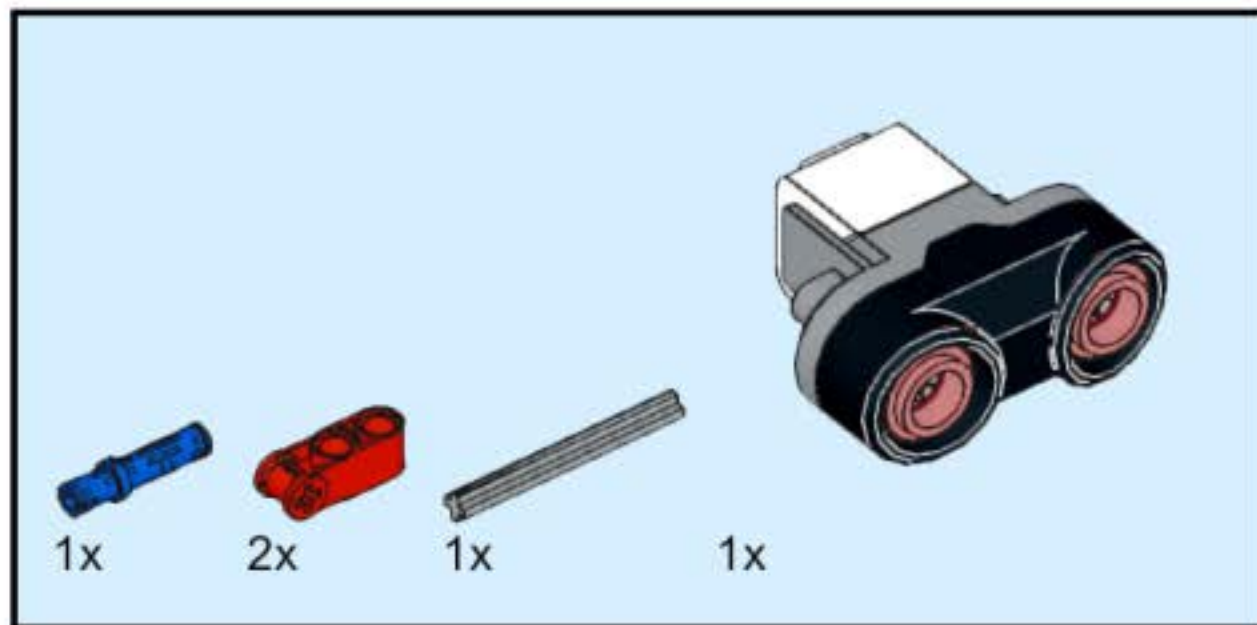
63



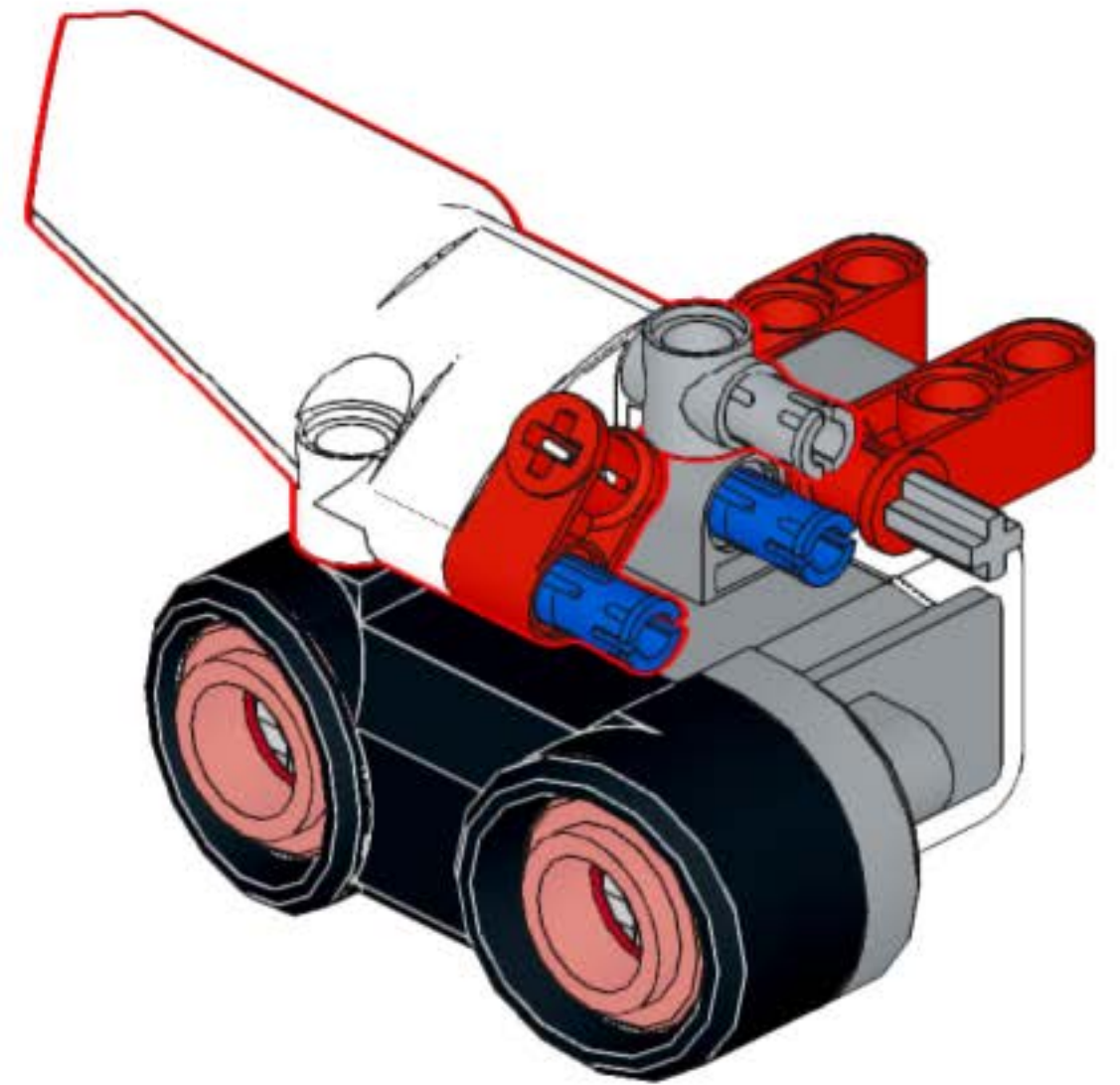
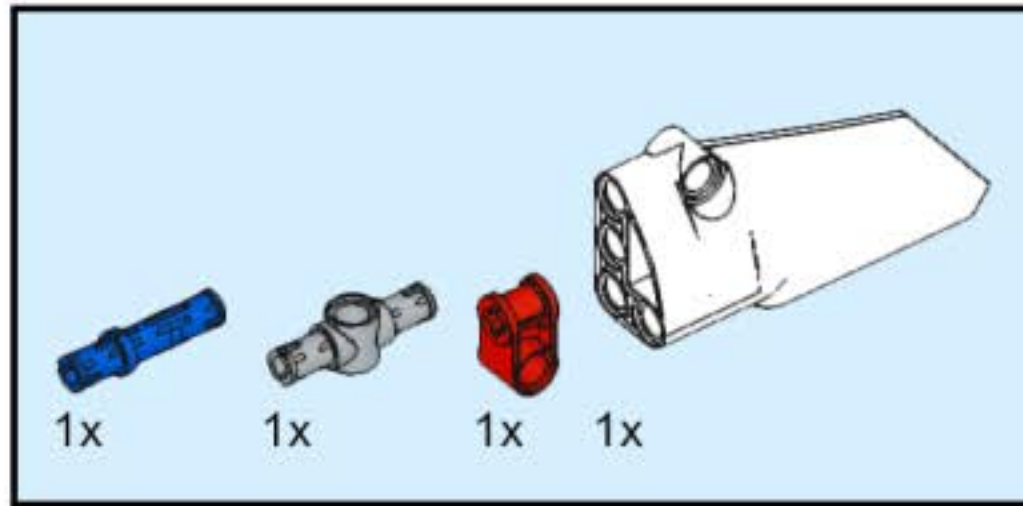
64



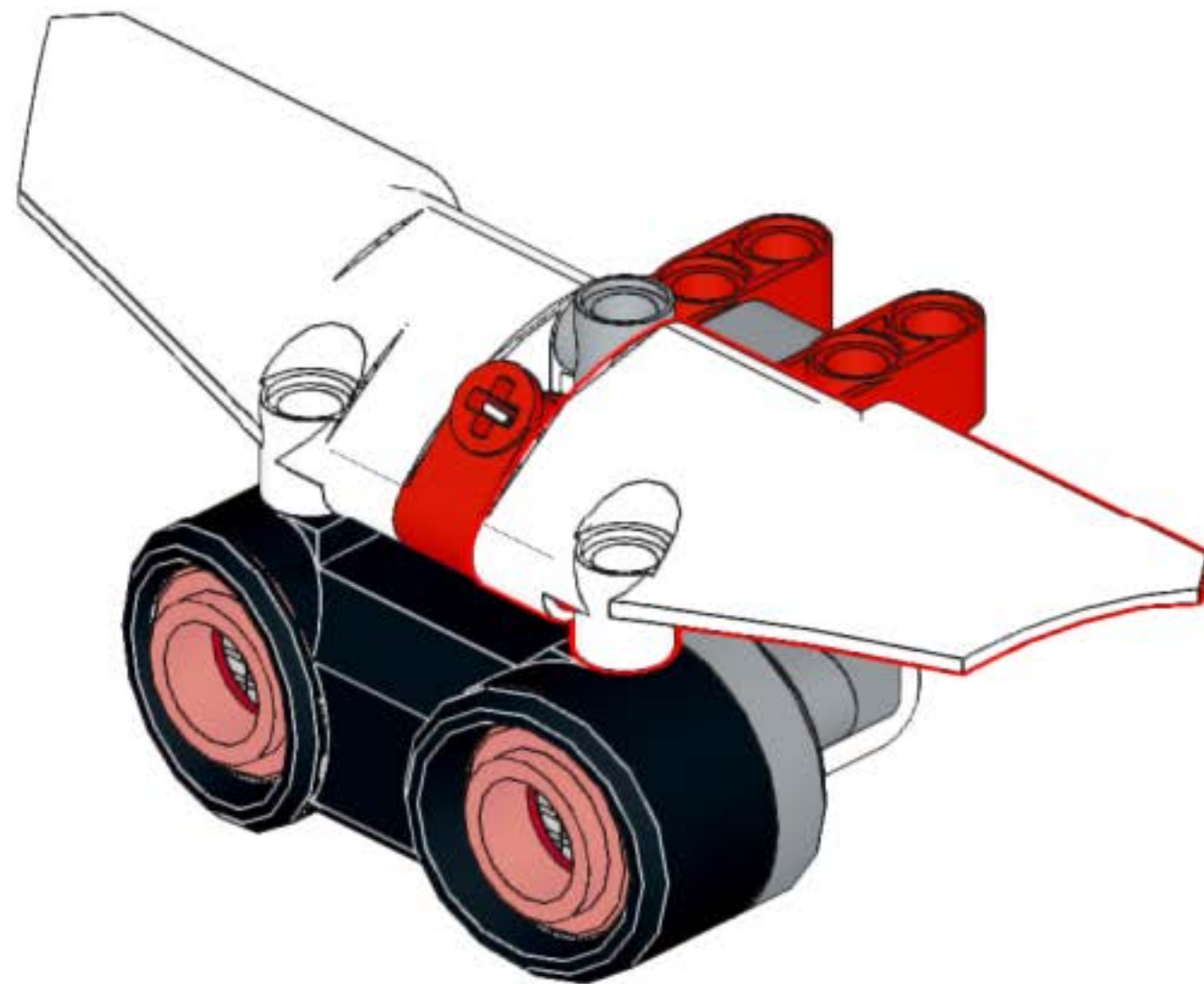
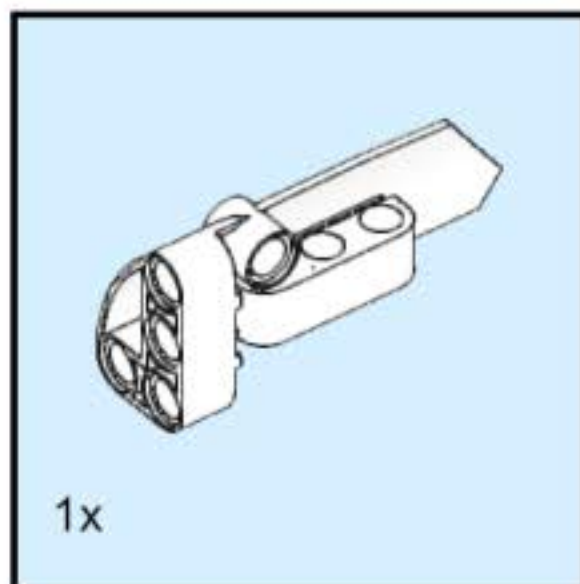
65



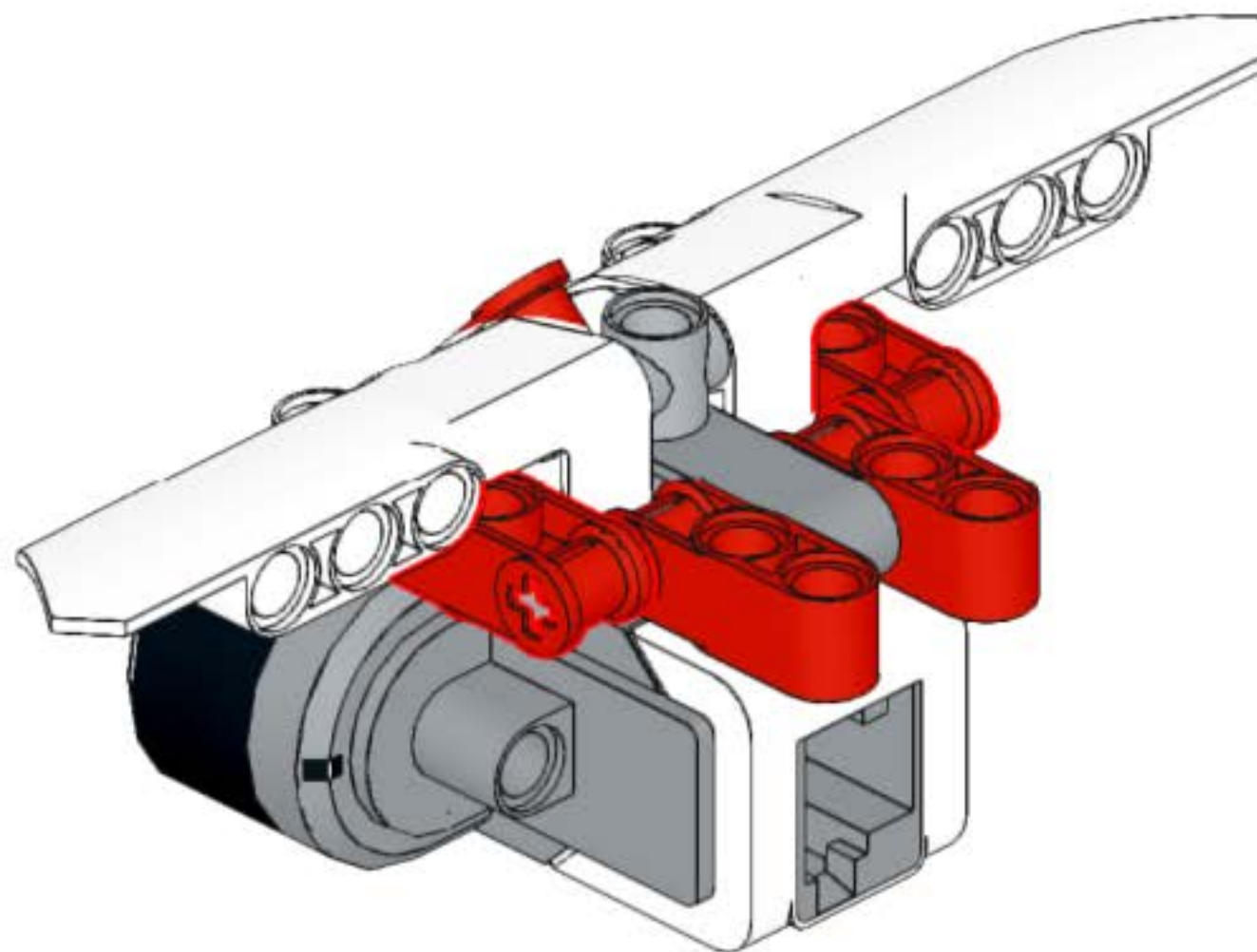
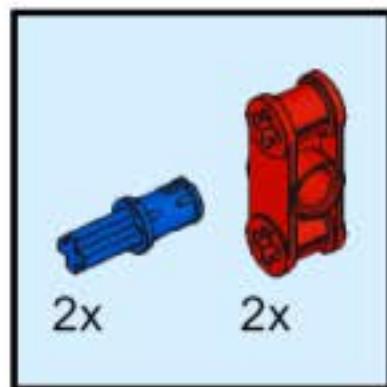
66



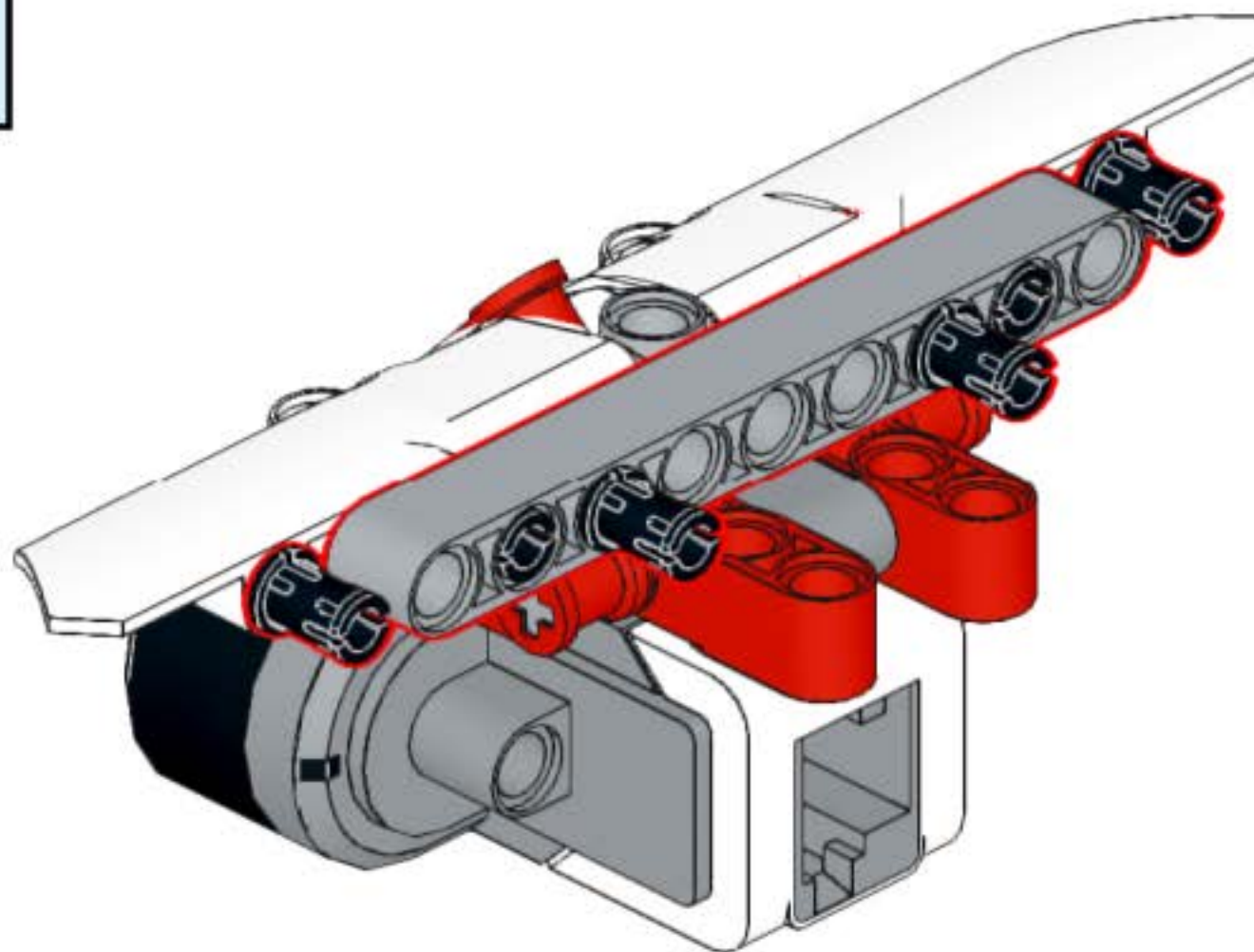
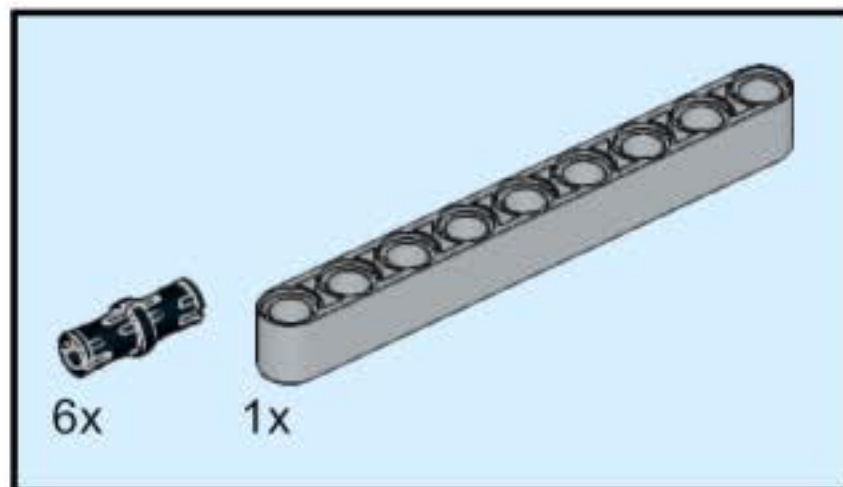
67



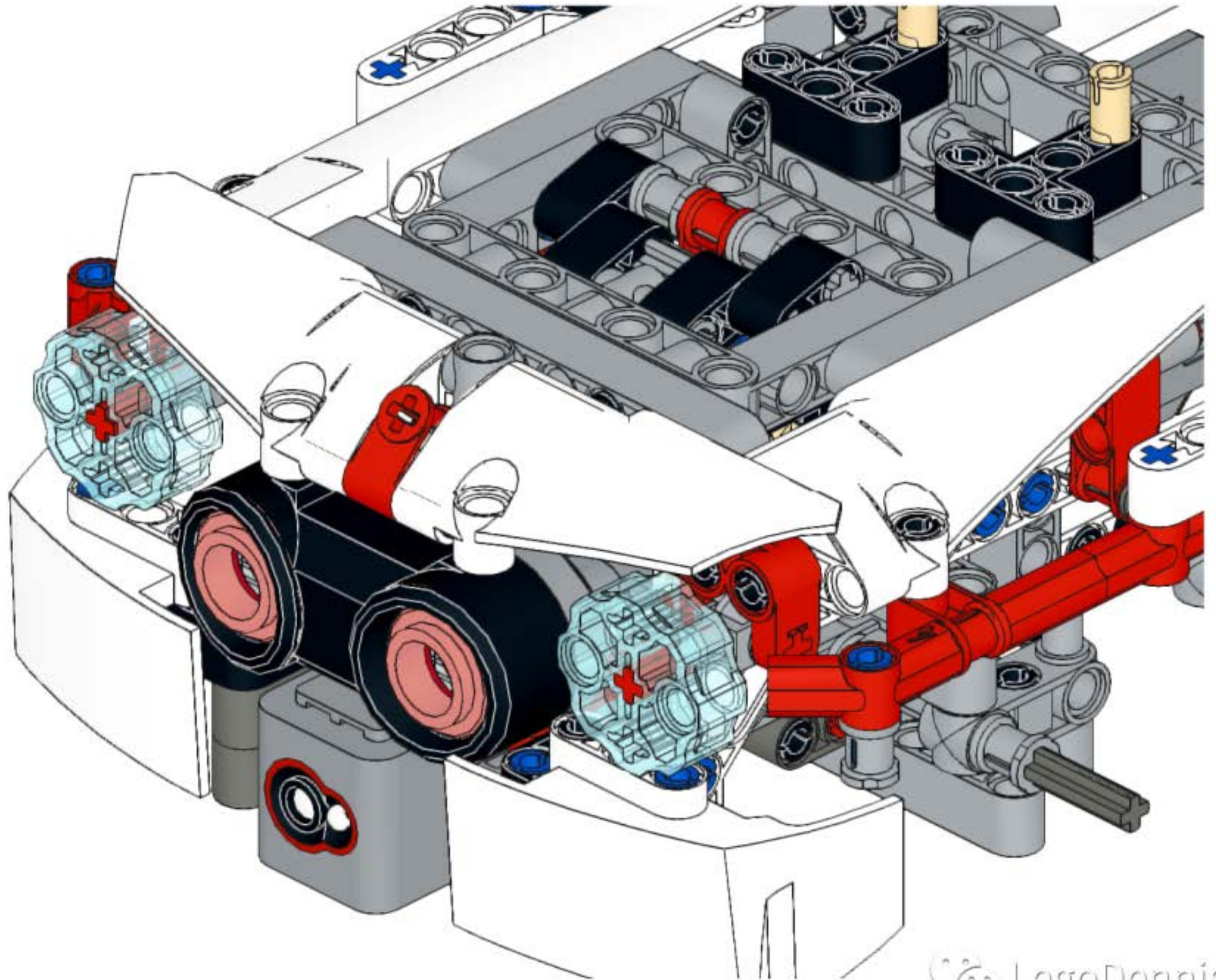
68



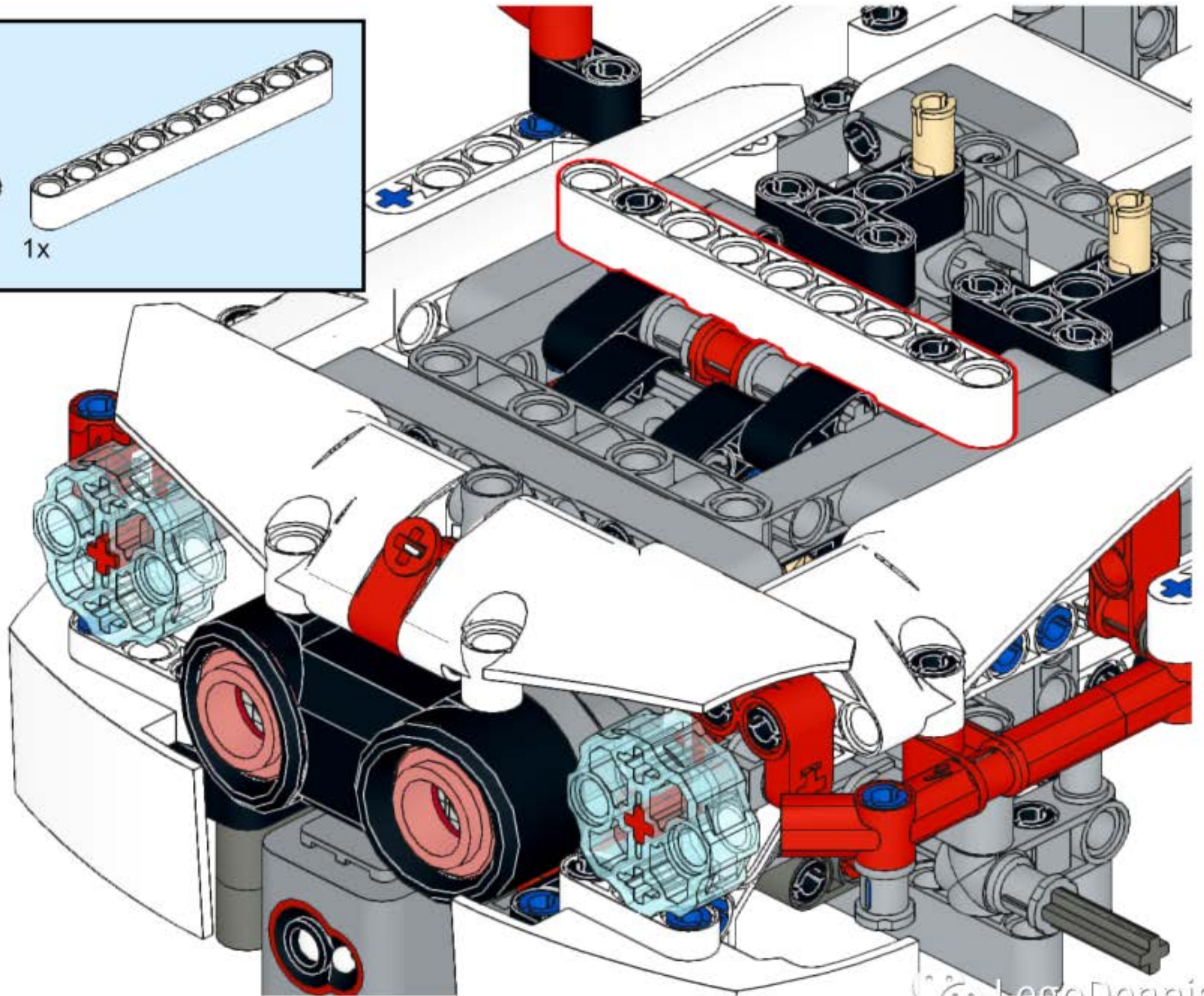
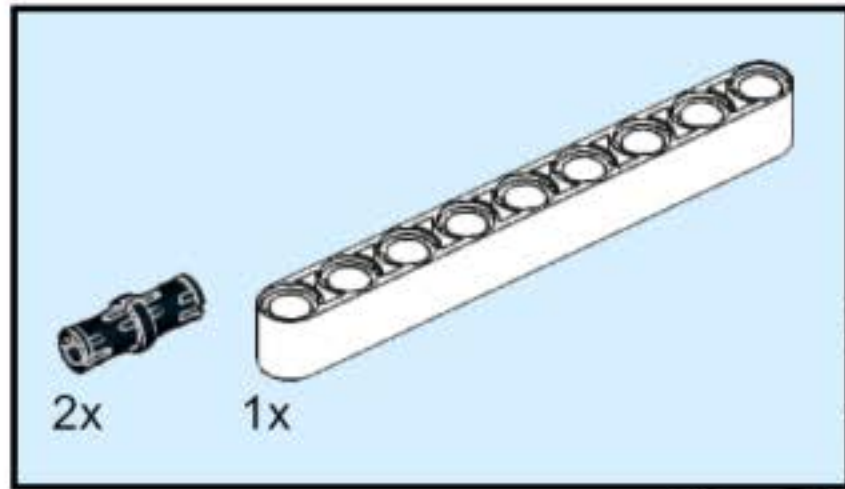
69



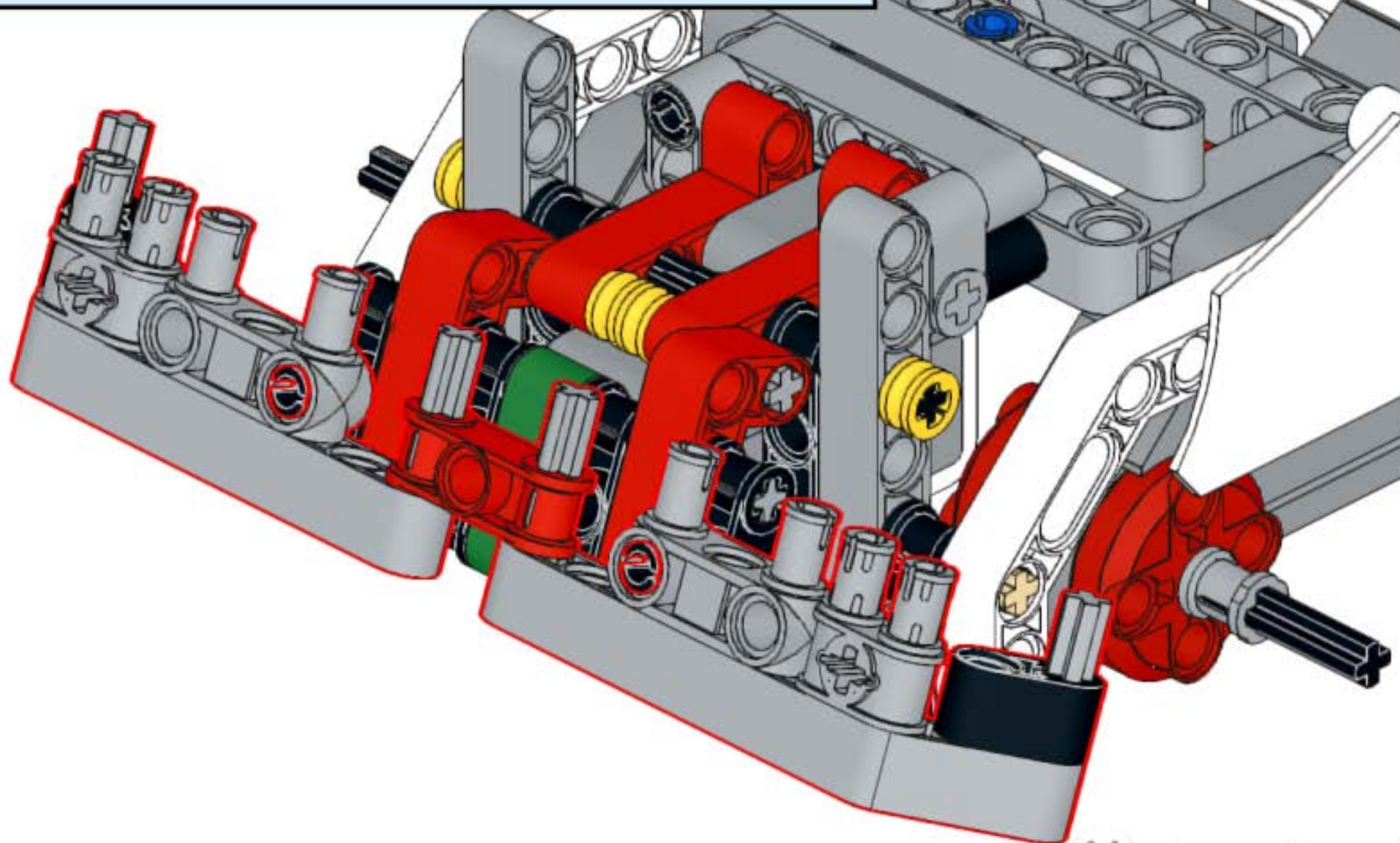
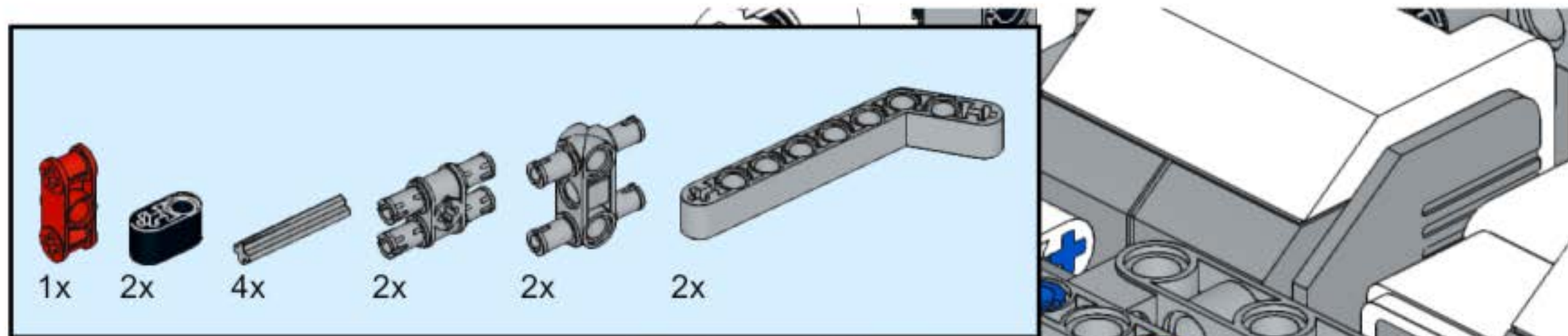
71



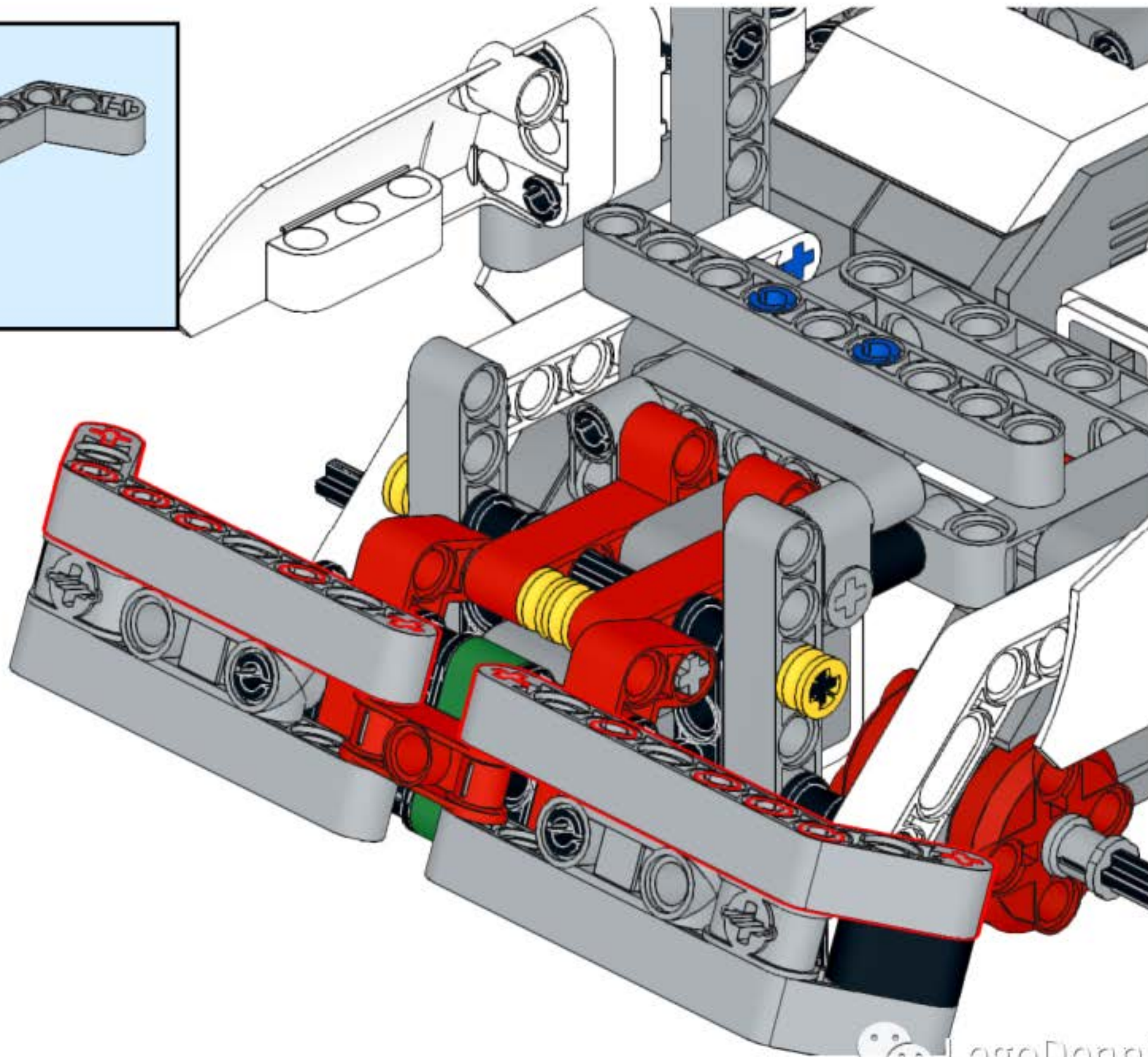
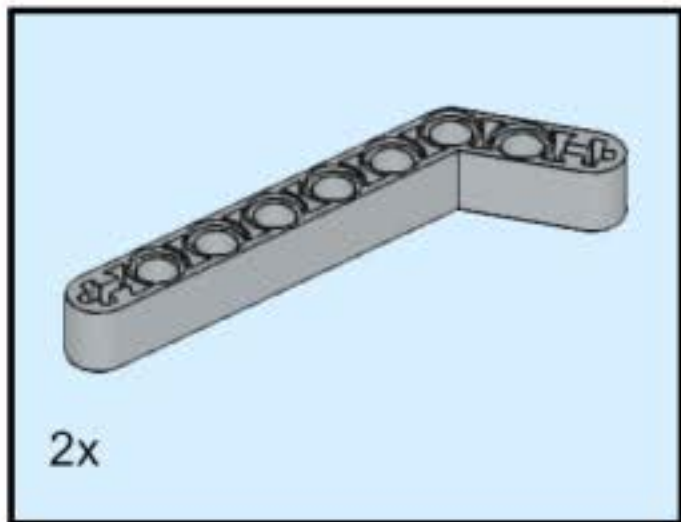
72



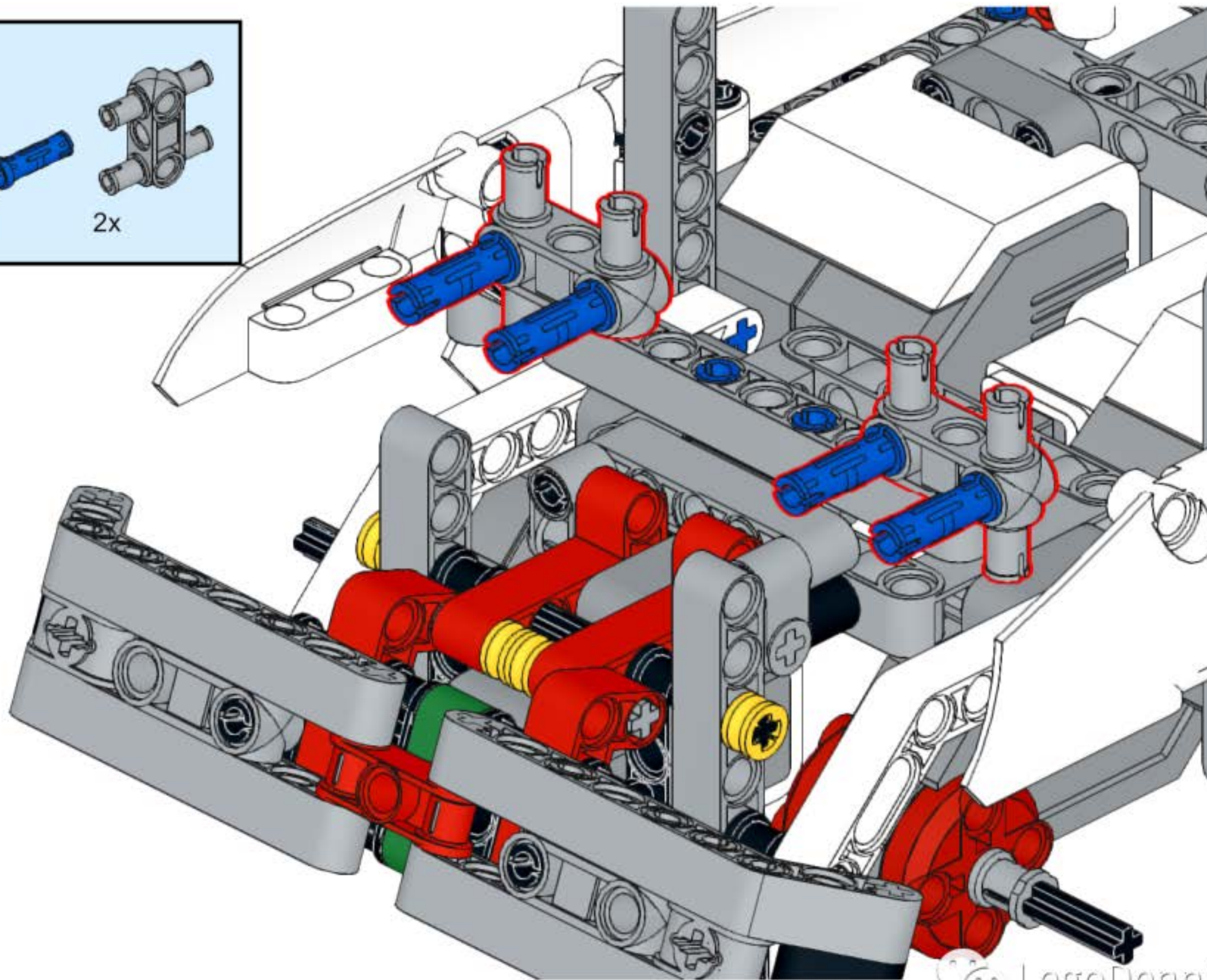
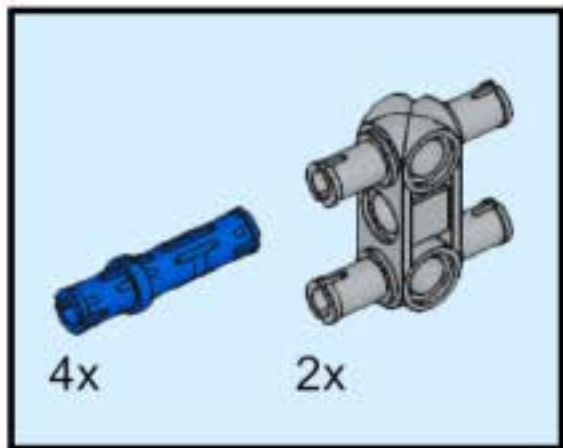
73



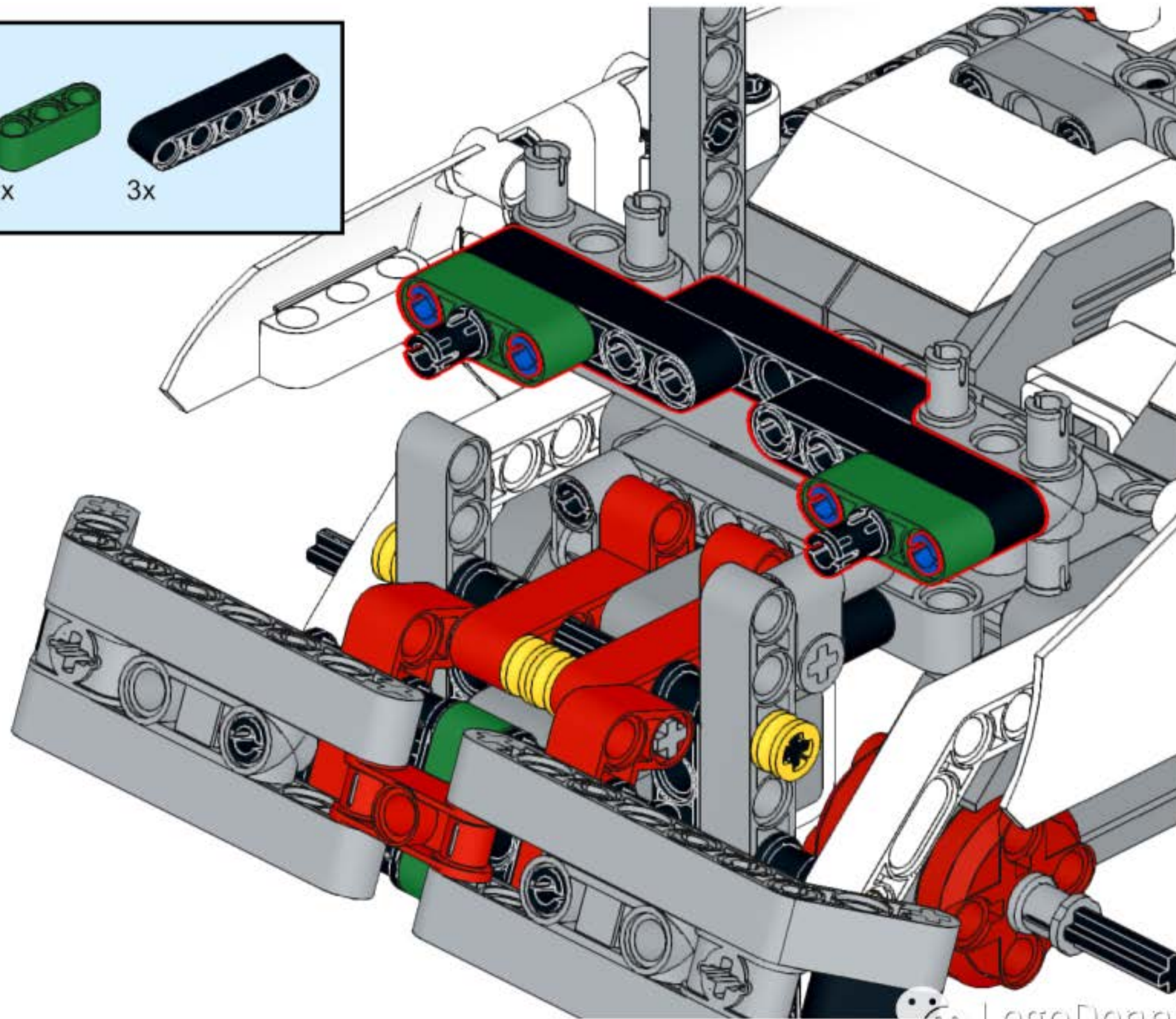
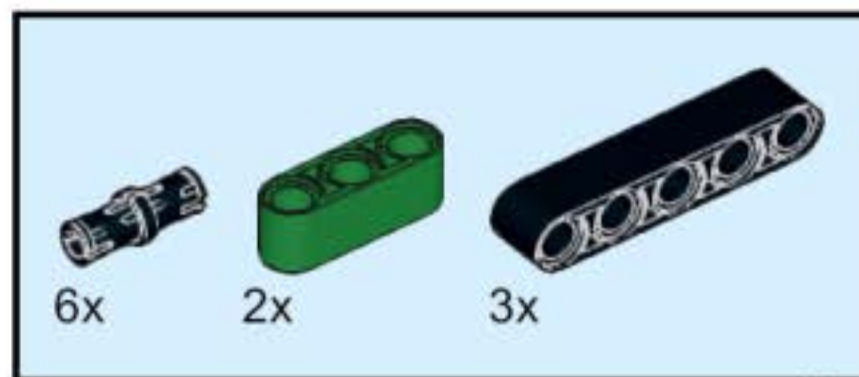
74



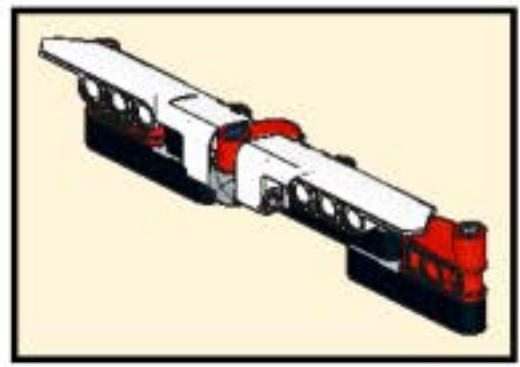
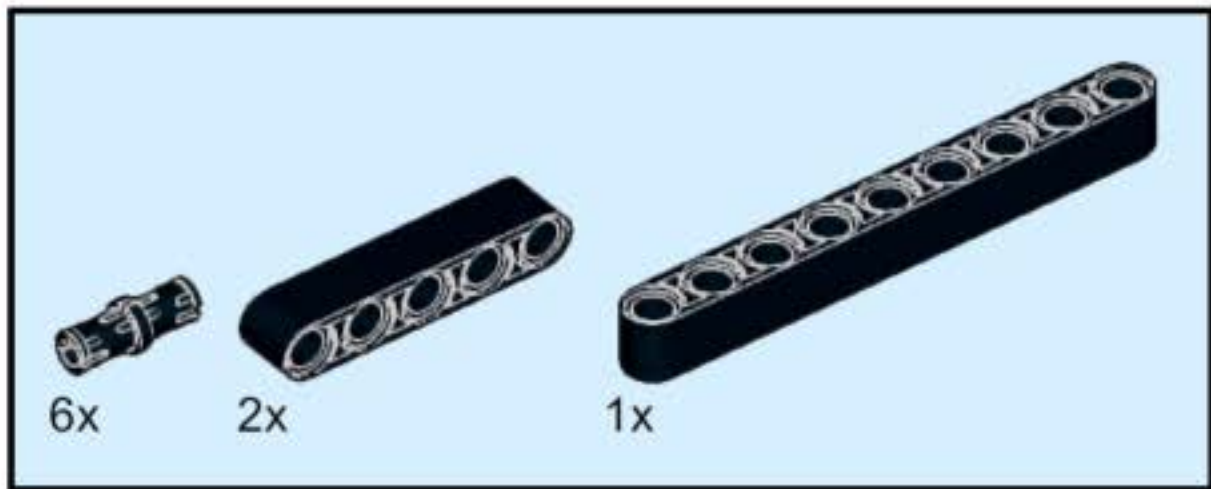
75



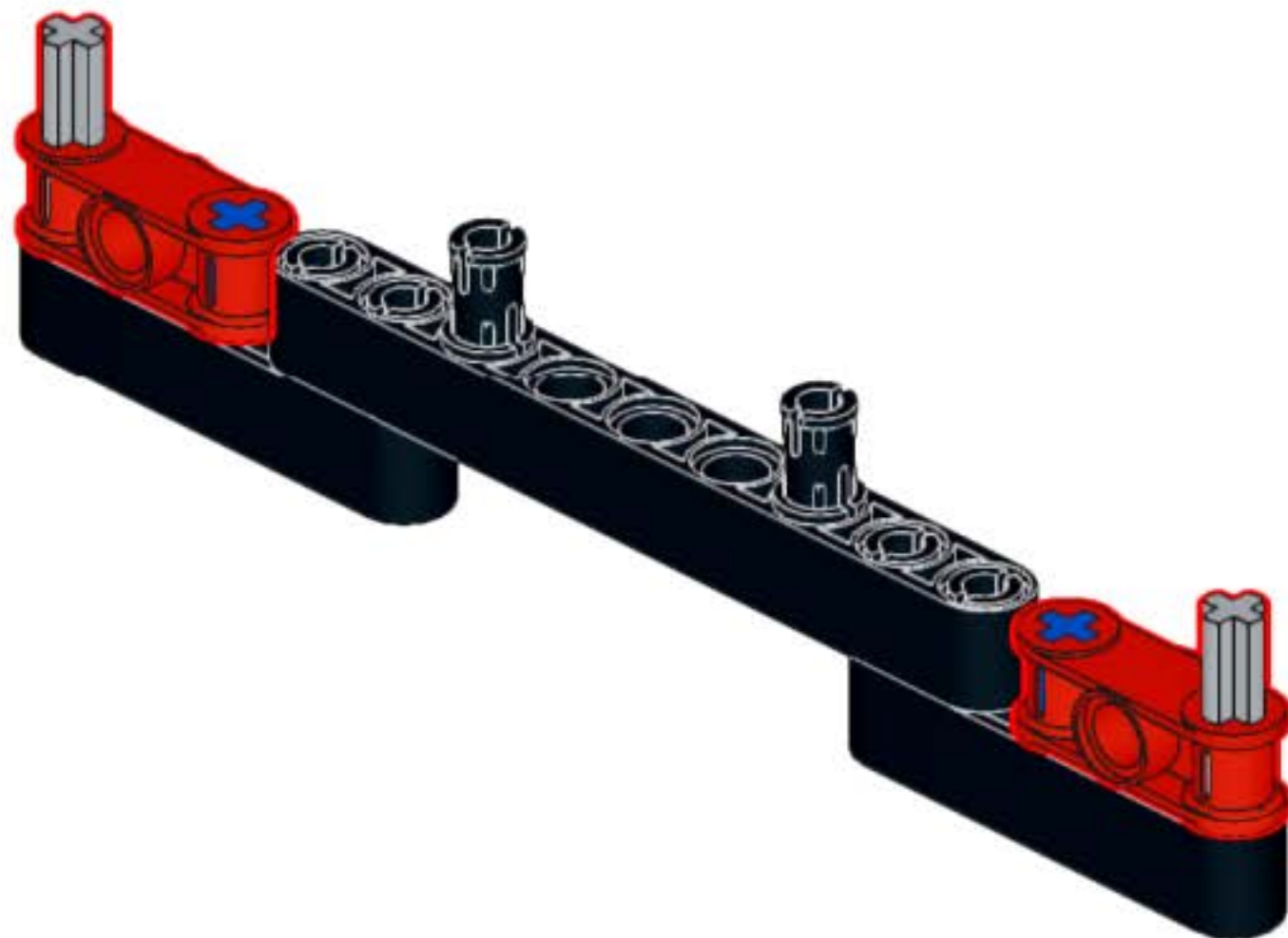
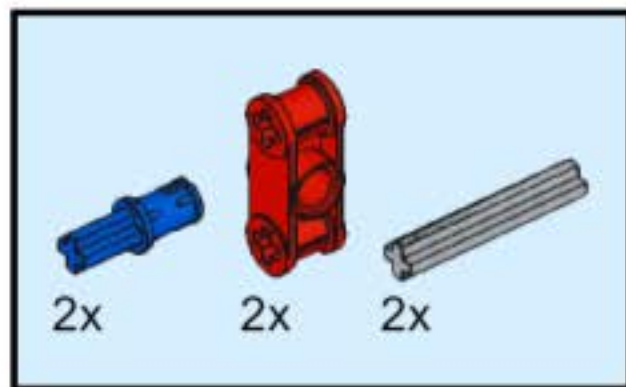
76



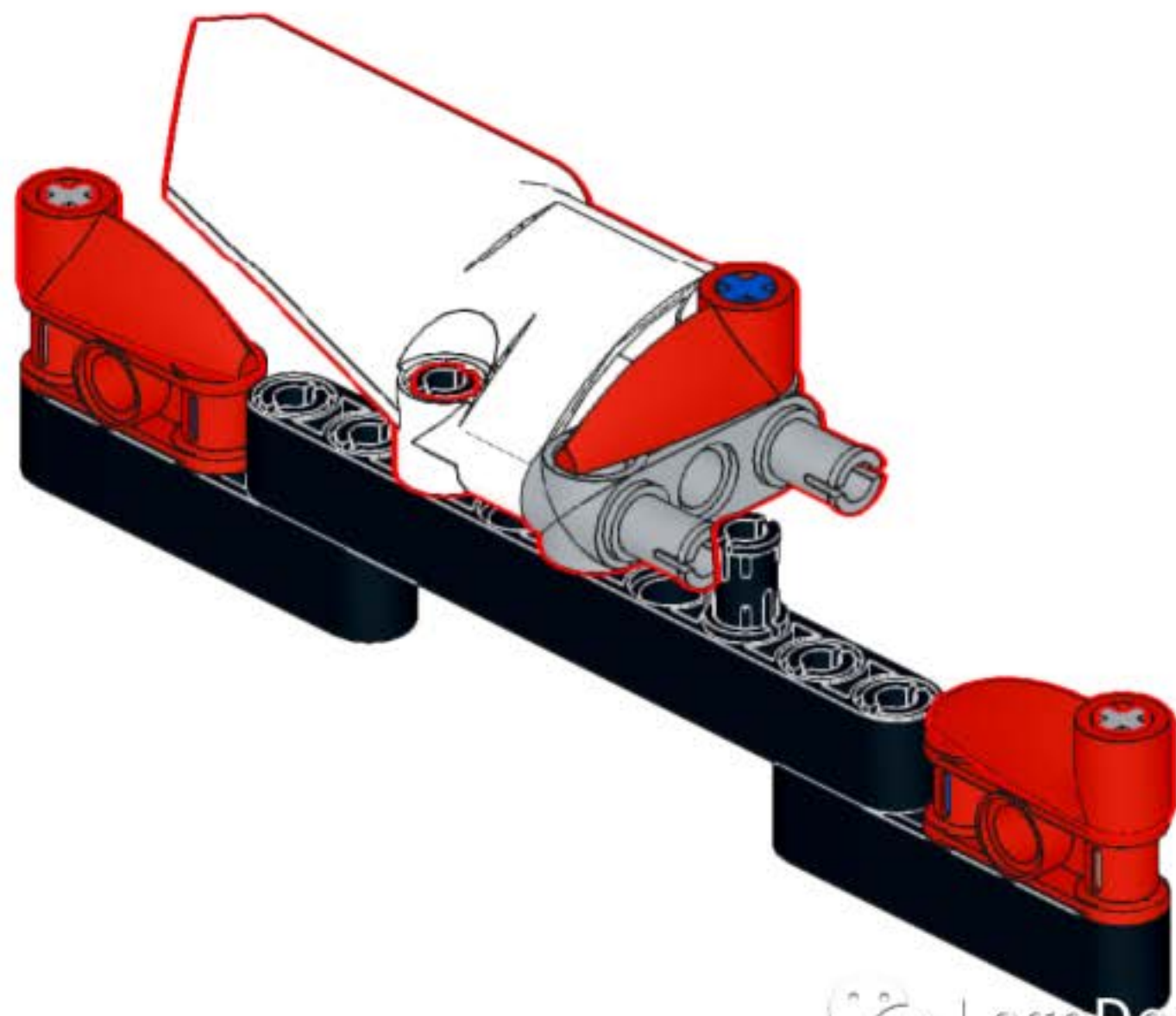
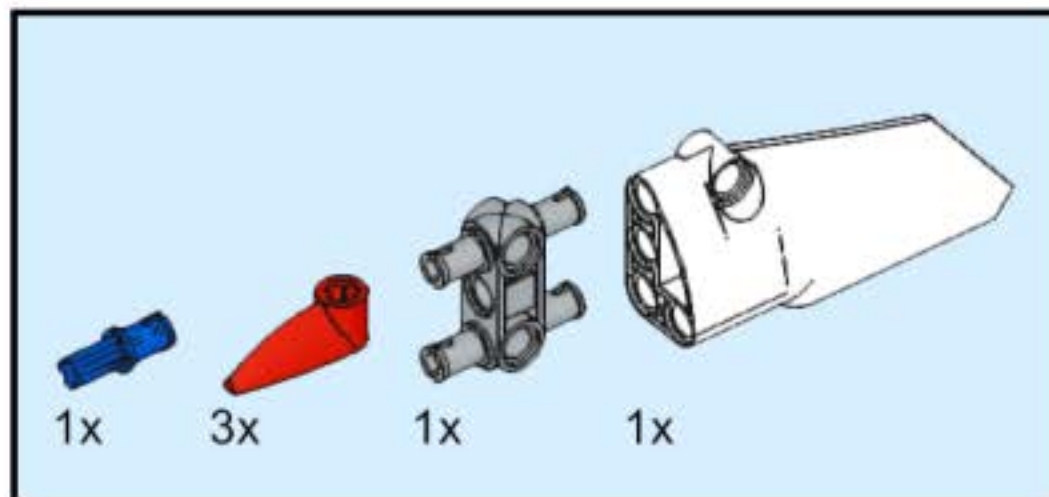
77



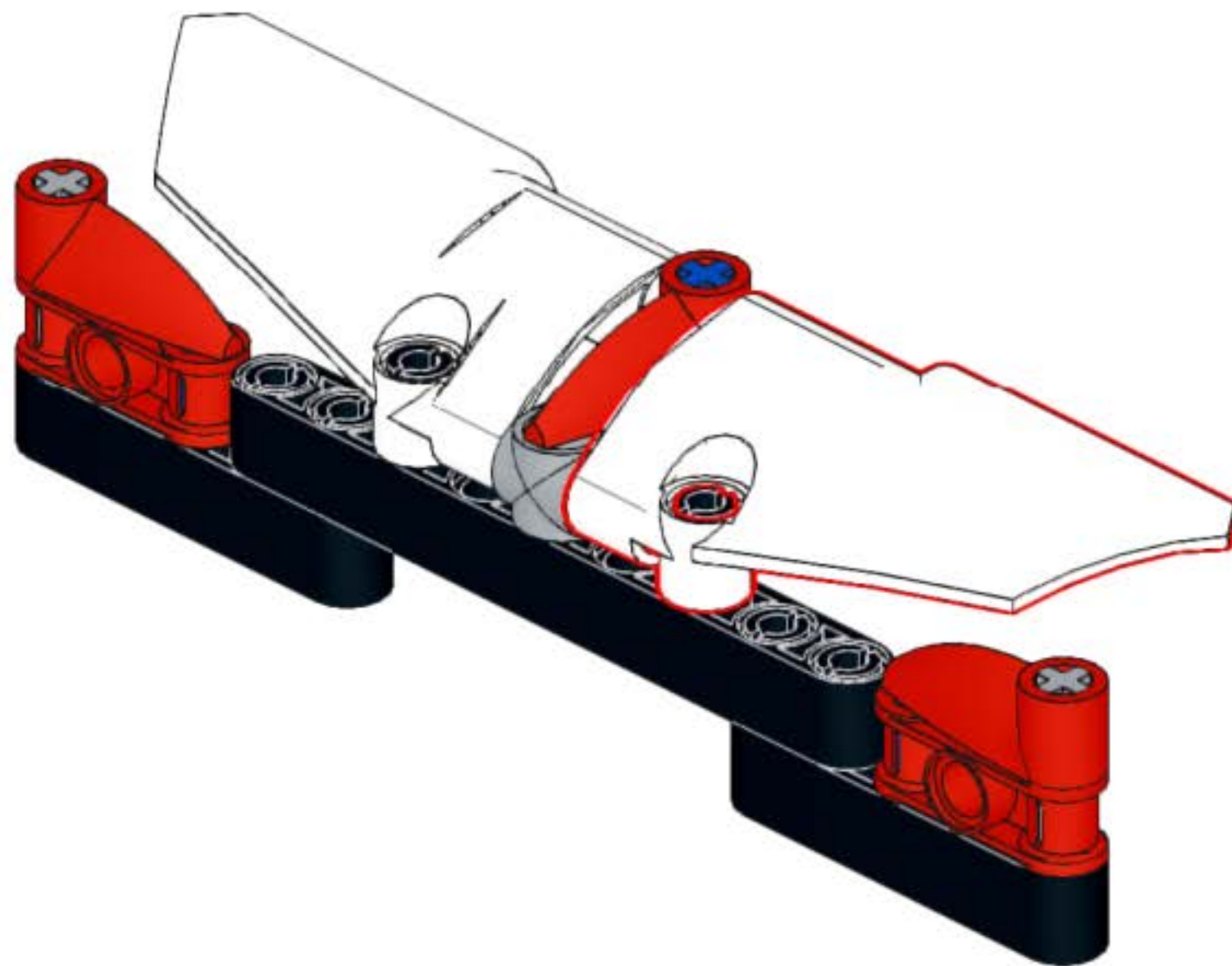
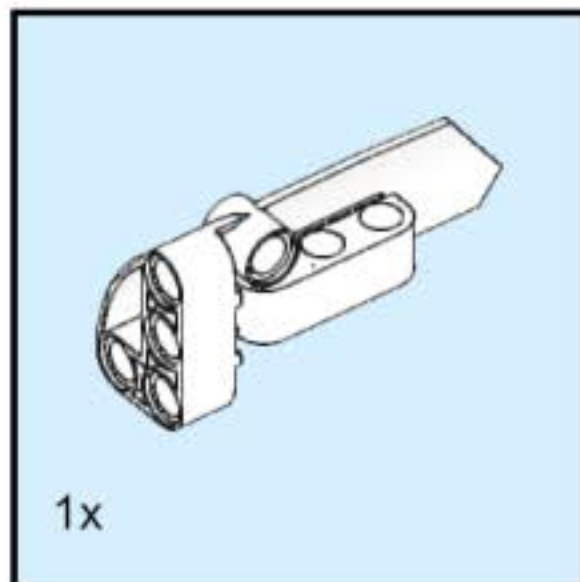
78



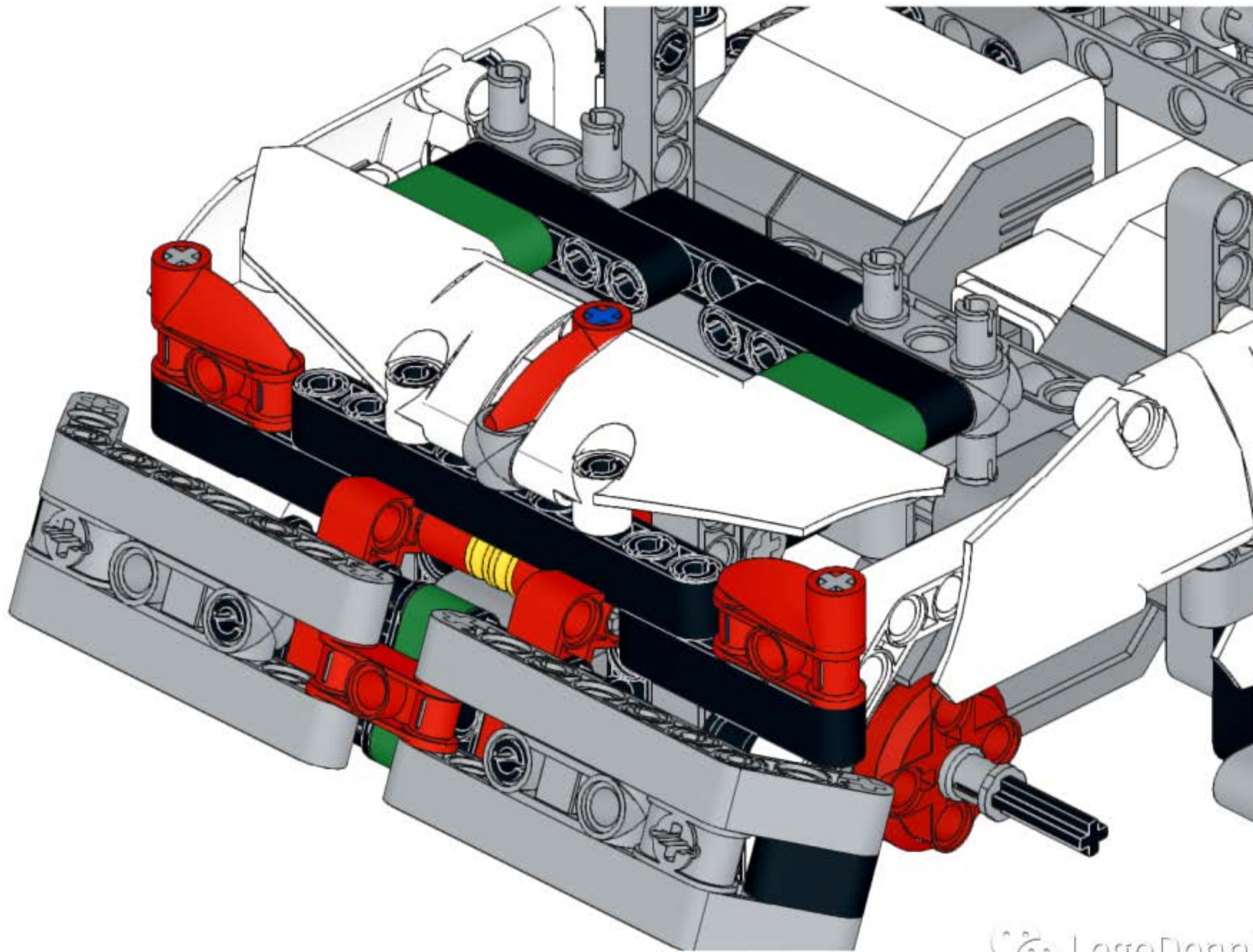
79



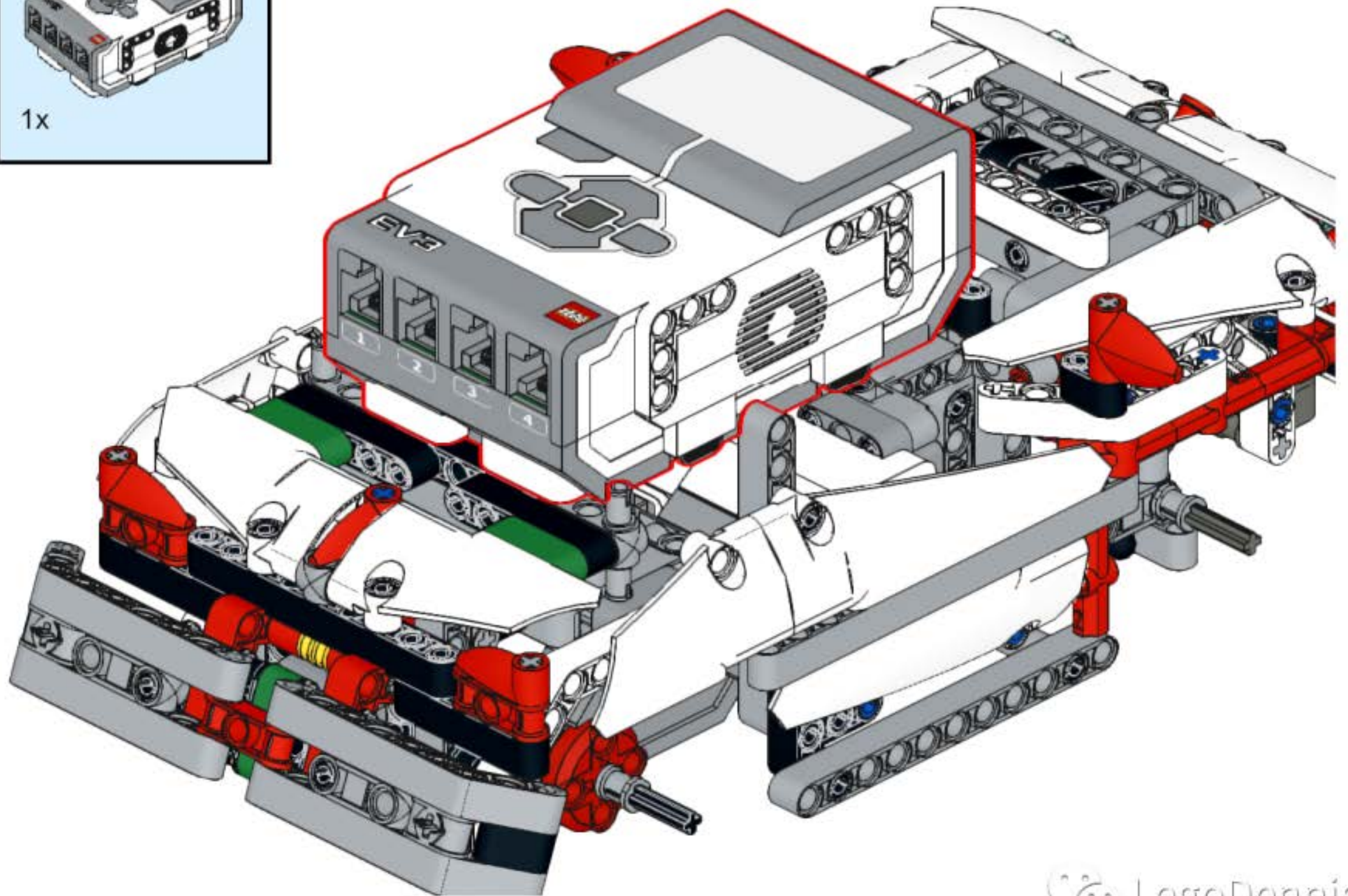
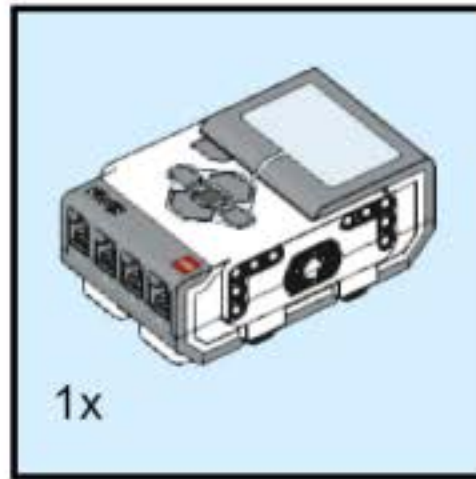
80



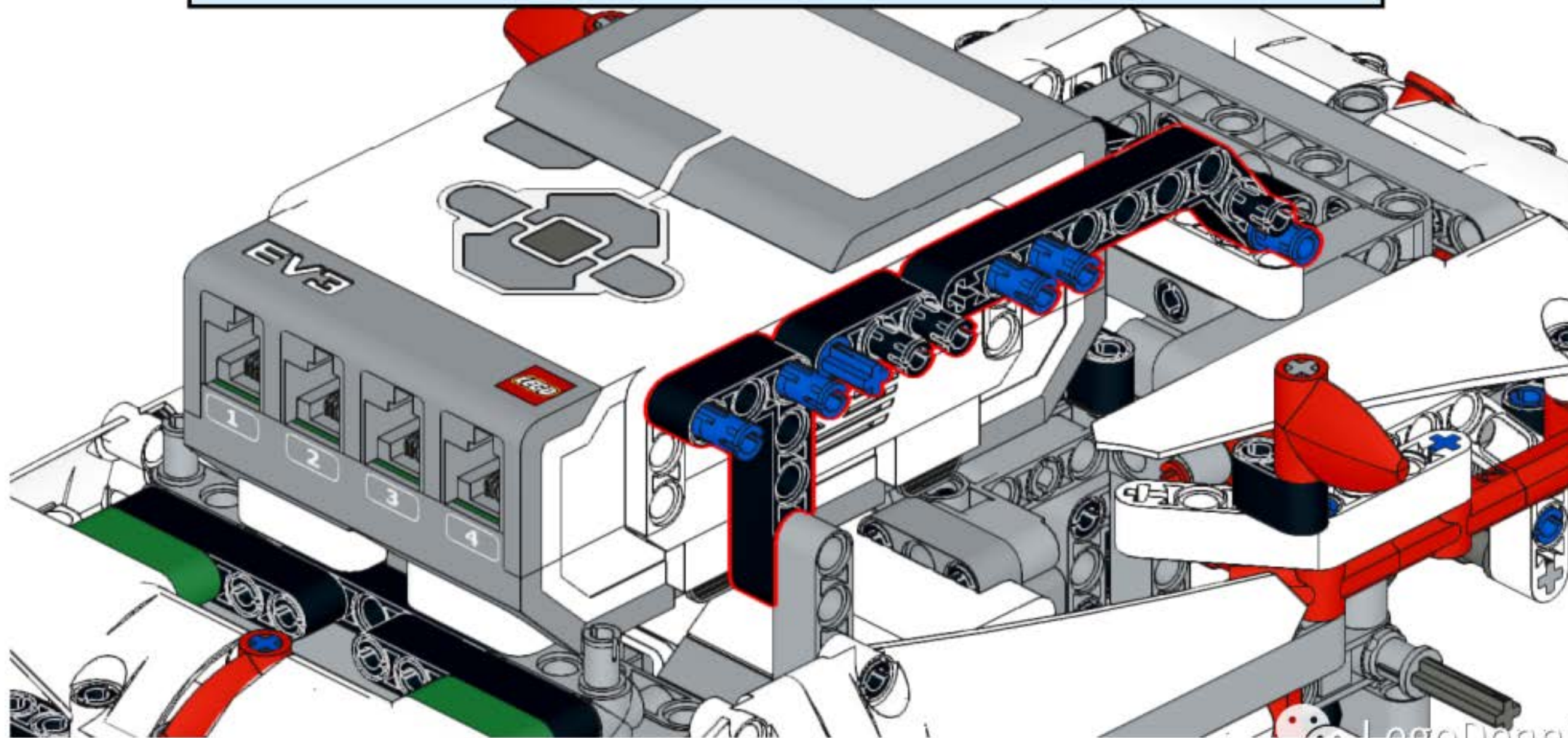
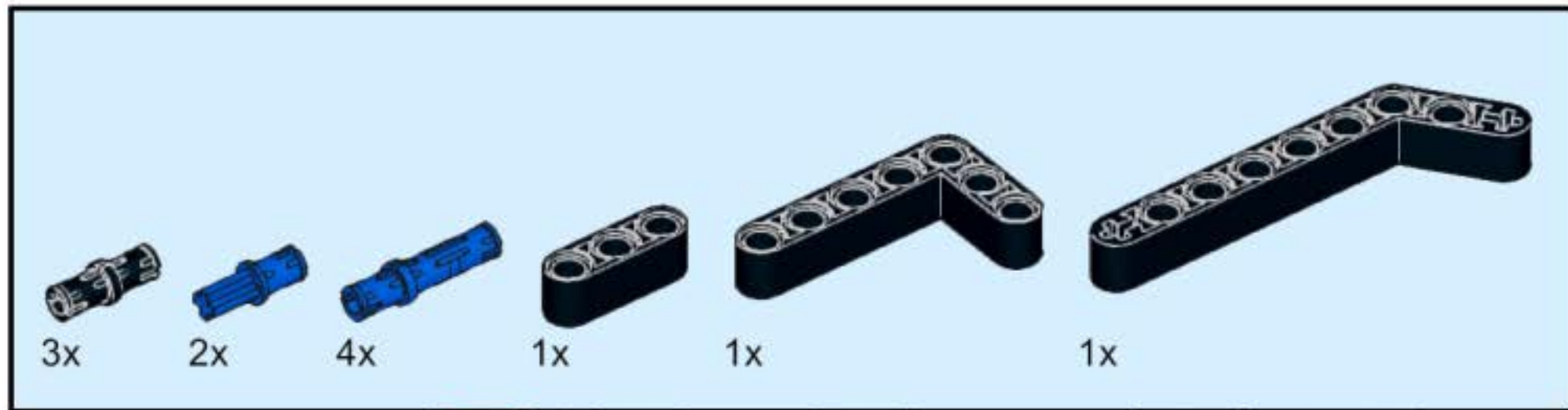
82



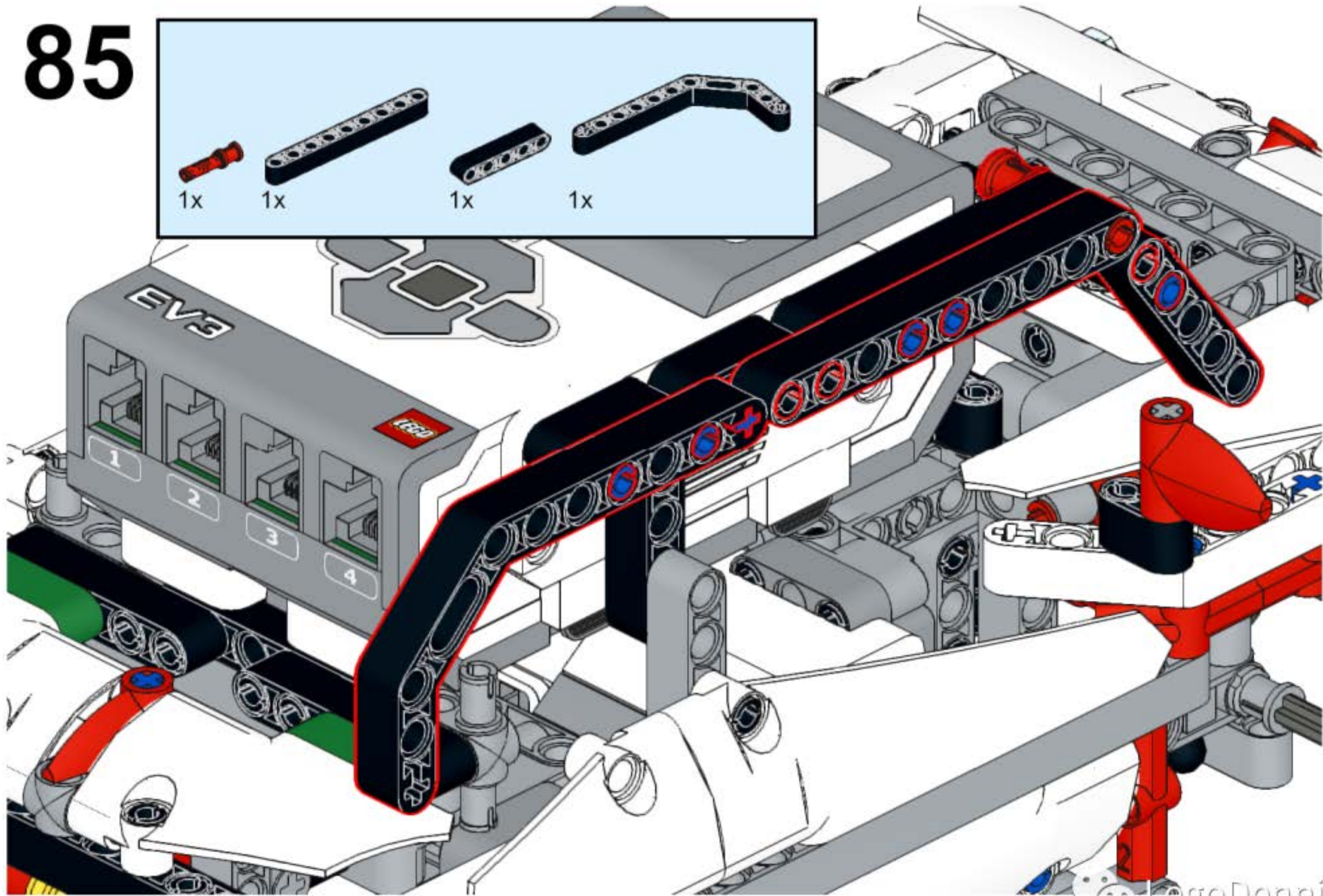
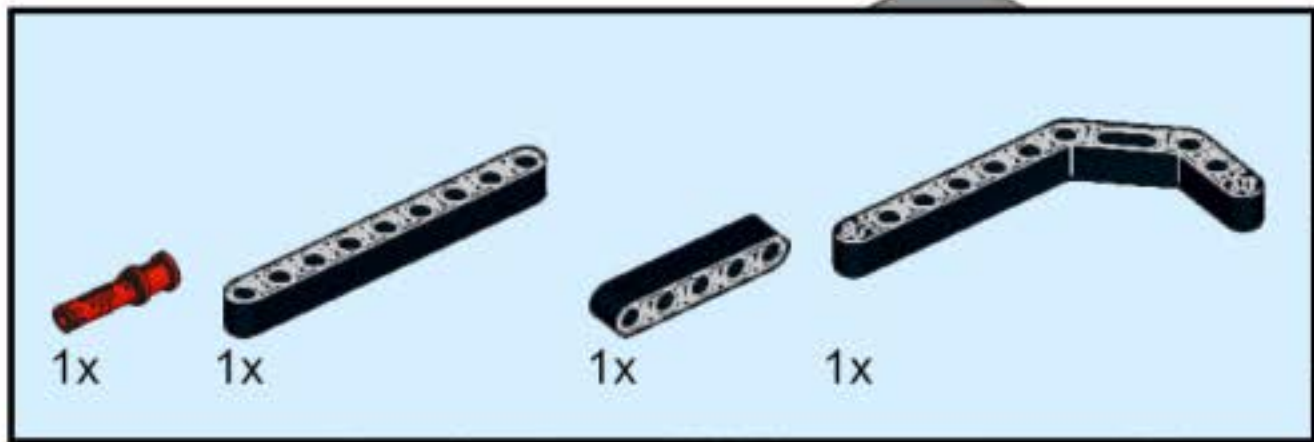
83



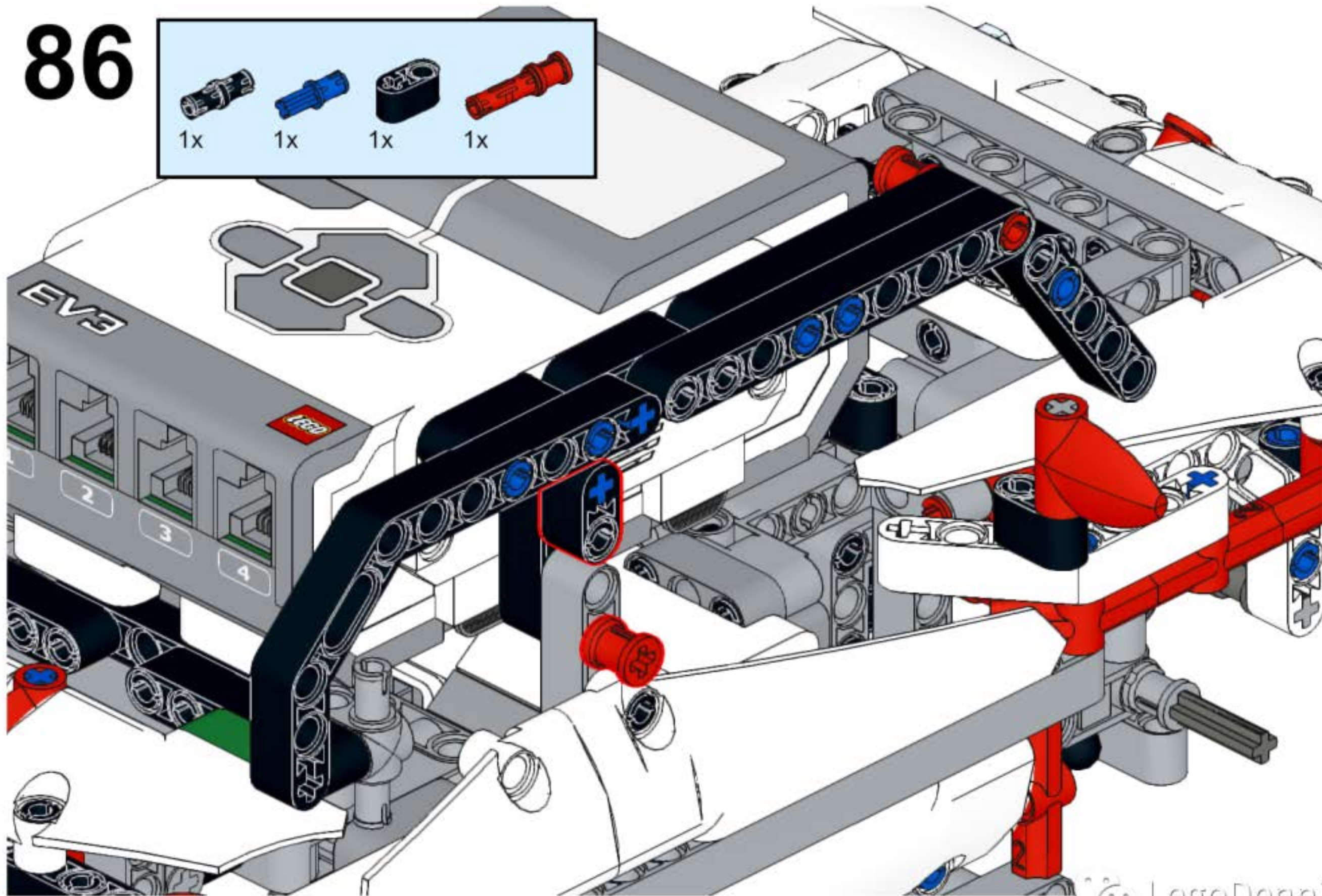
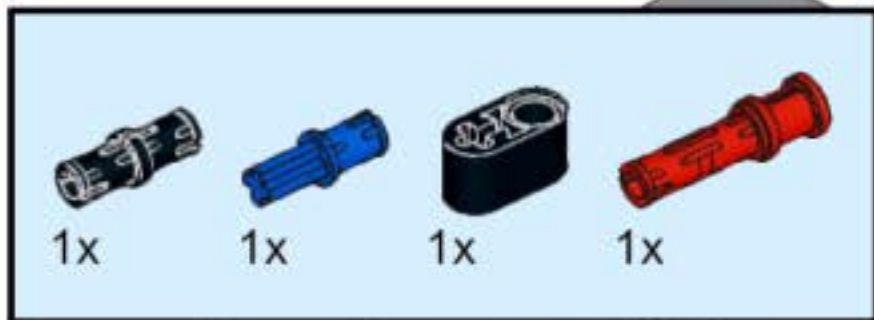
84



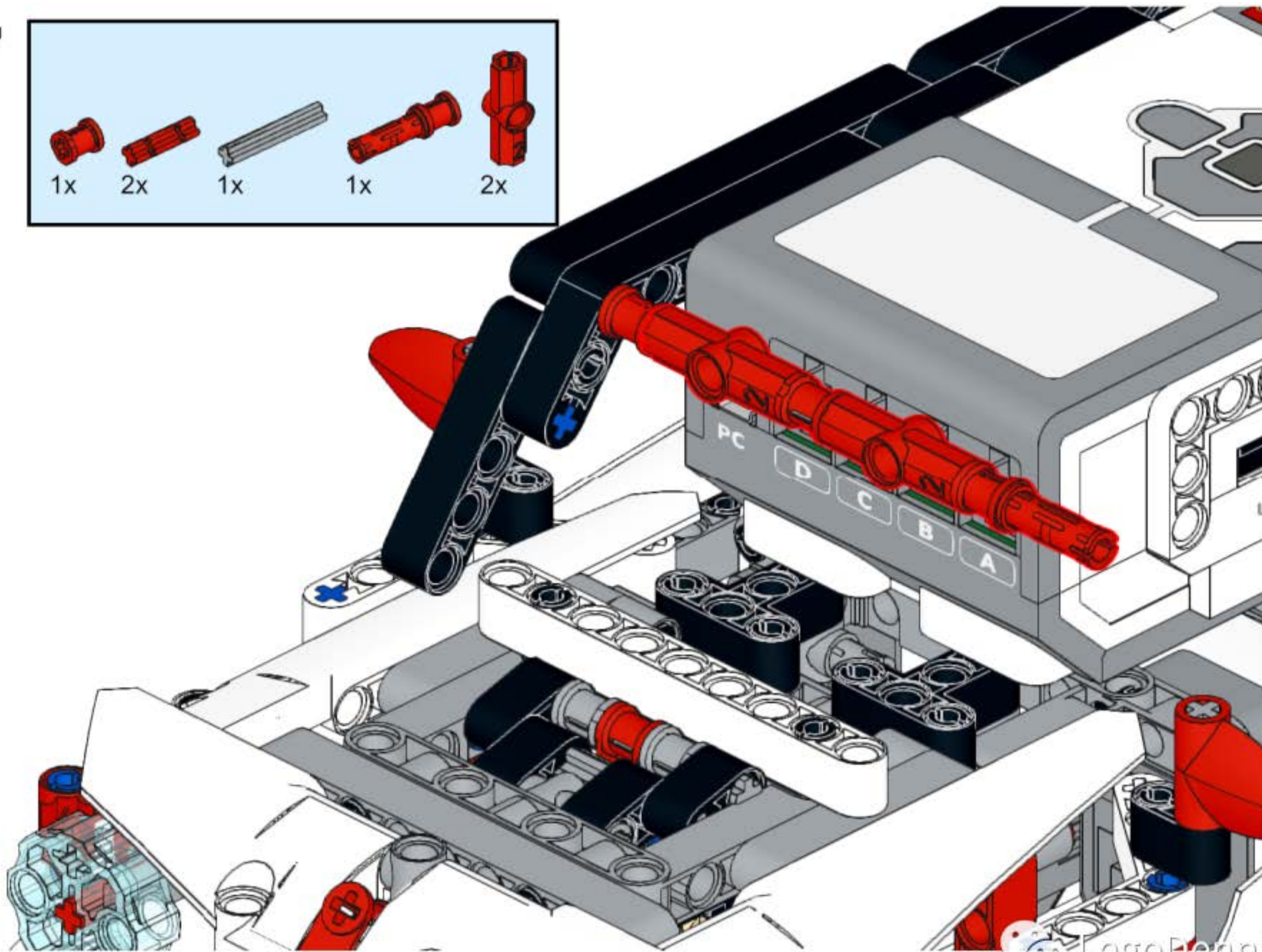
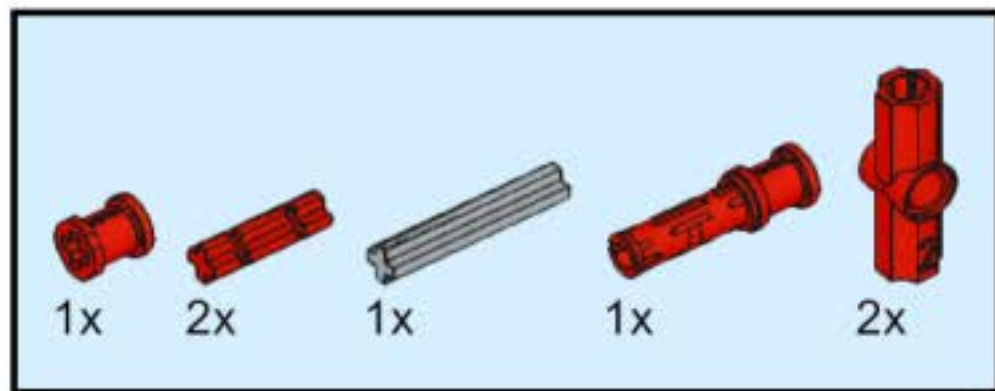
85



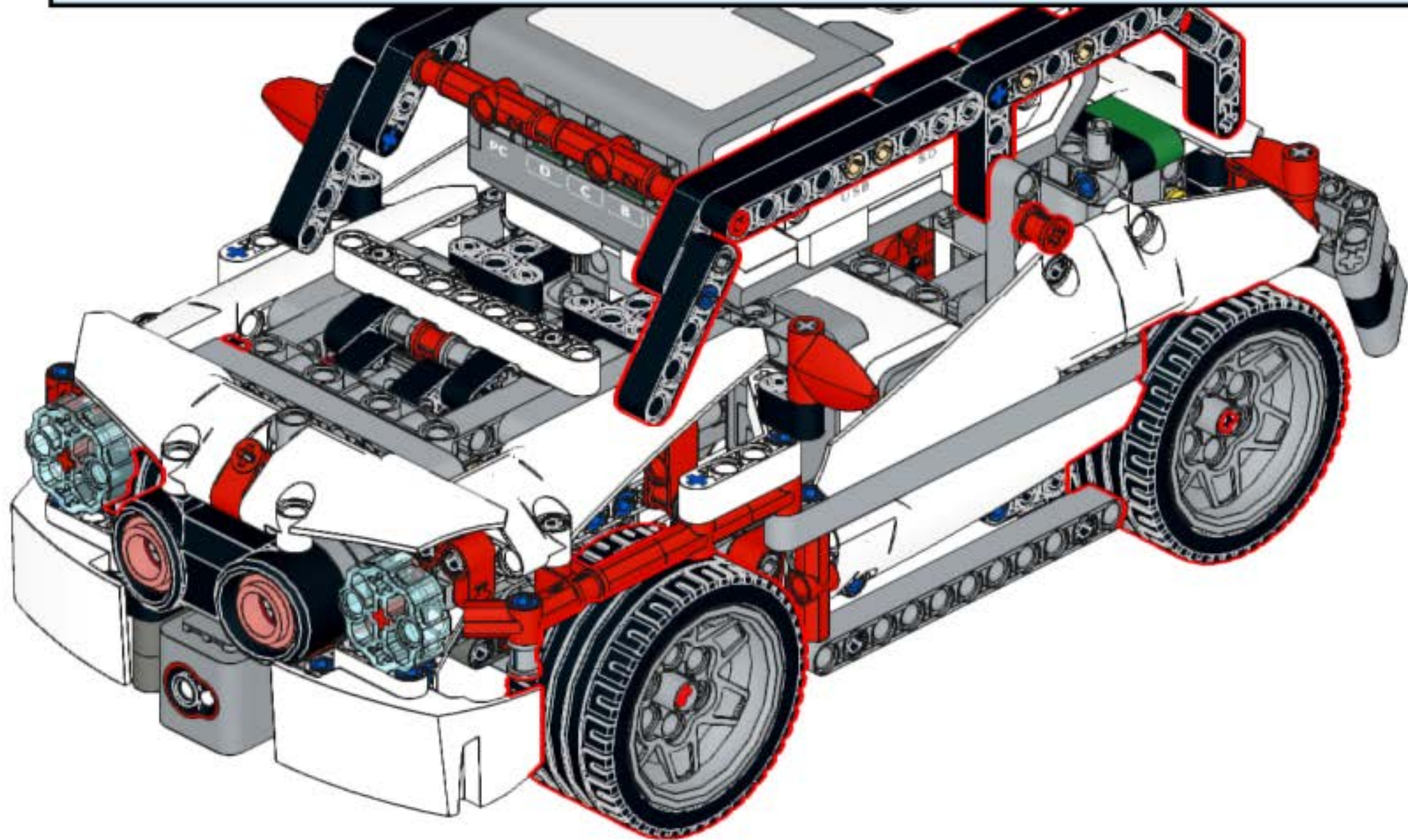
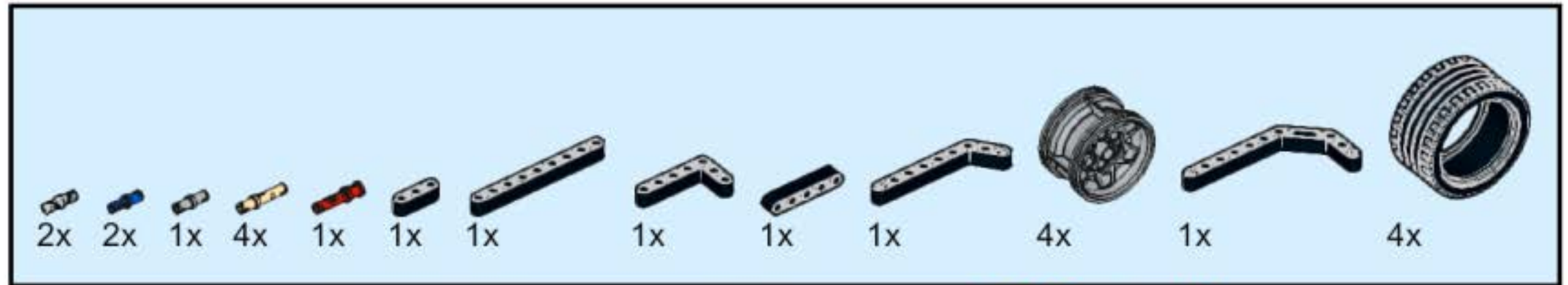
86



87



88



89

