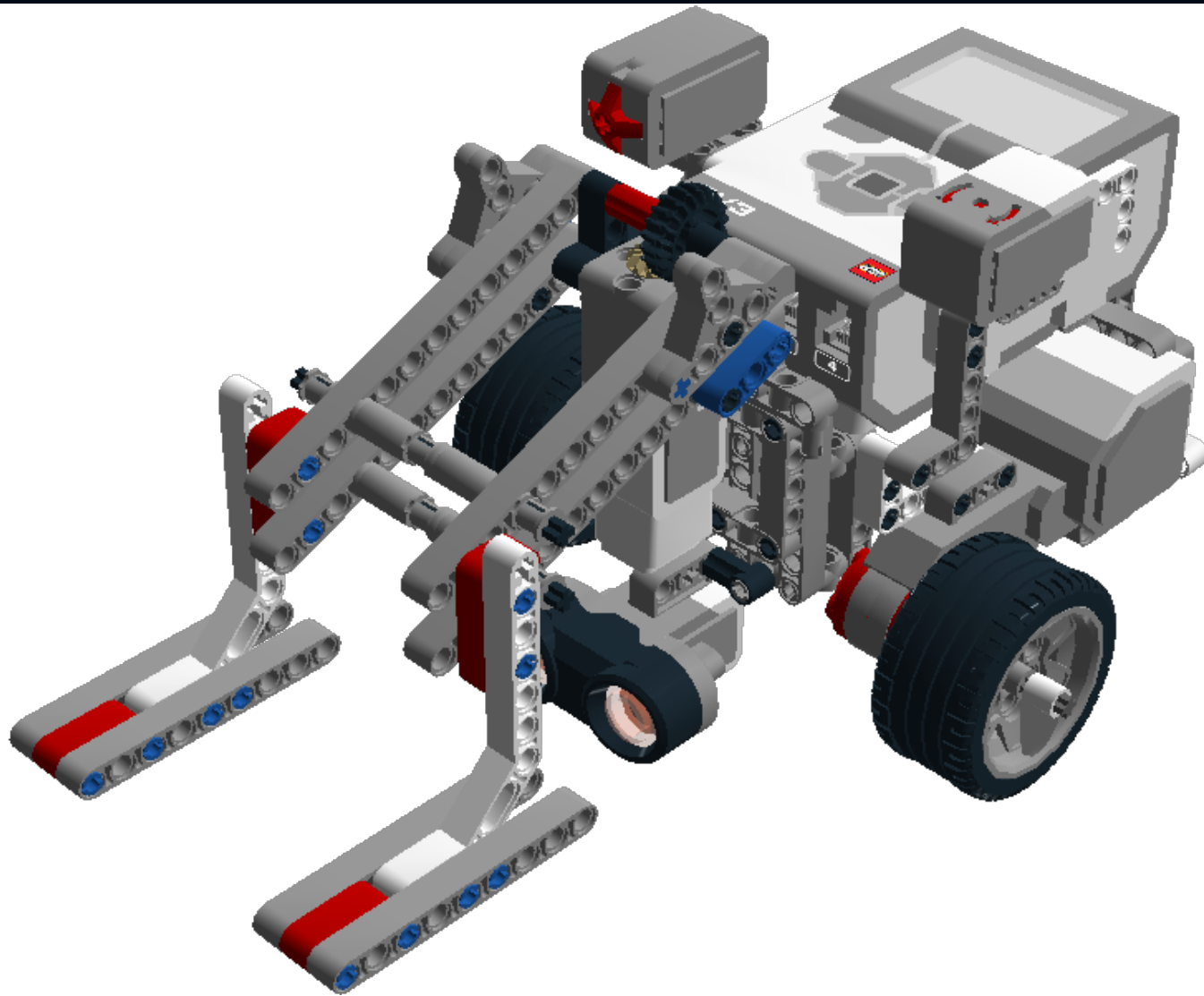


LEGO DIGITAL DESIGNER 4.2

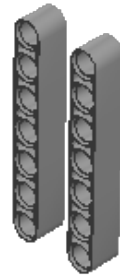
Model Name:
Платформа

Number of Bricks: 143



Step 1 of 46

2 x



Step 2 of 46

2 x



1 x



1 x

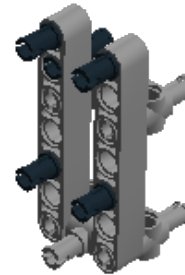


Step 3 of 46

3 x



1 x



Step 4 of 46

1 x



Step 5 of 46

1 x



1 x



1 x



1 x



Step 6 of 46

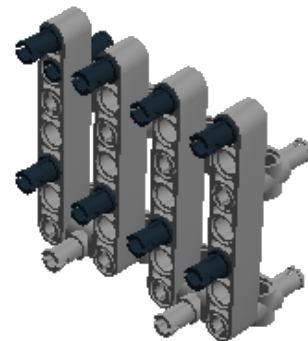
3 x



1 x



Step 7 of 46



Step 8 of 46

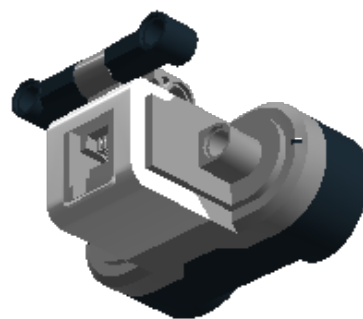
1 x



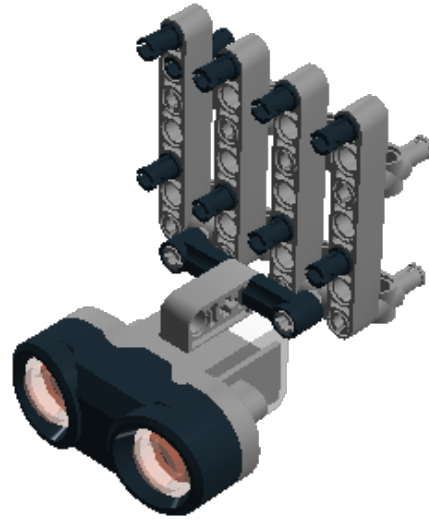
1 x



2 x



Step 9 of 46



Step 10 of 46

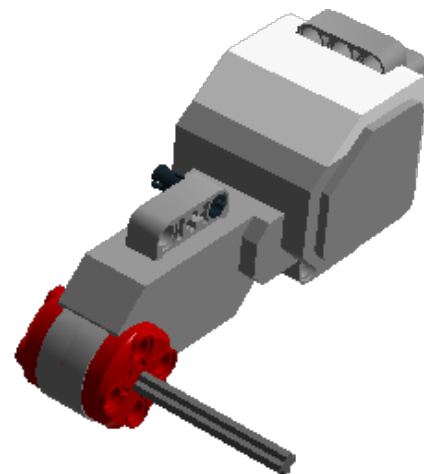
1 x



1 x



1 x

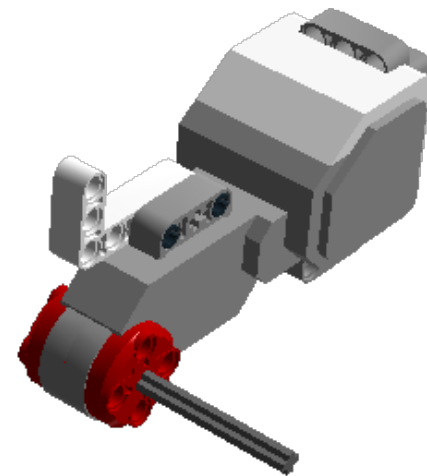


Step 11 of 46

1 x



1 x

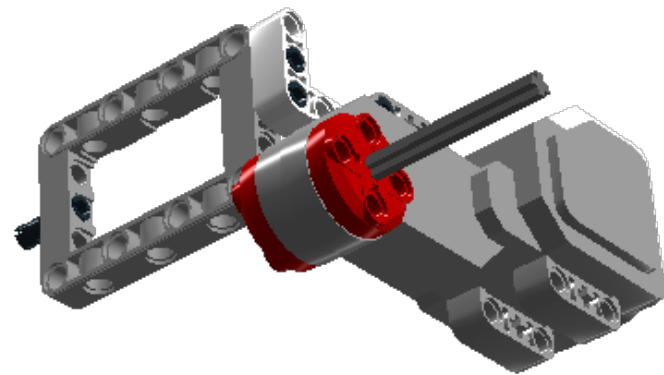


Step 12 of 46

3 x



1 x

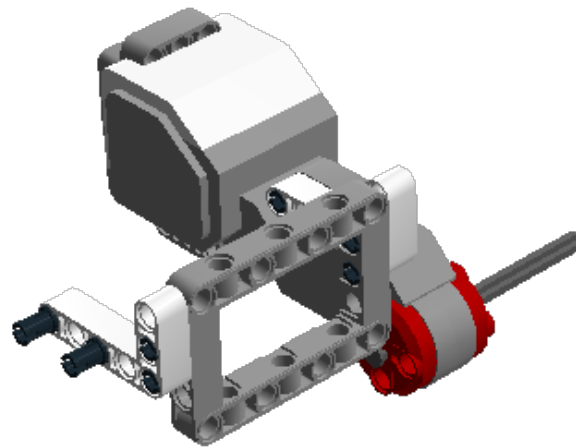


Step 13 of 46

1 x



3 x



Step 14 of 46

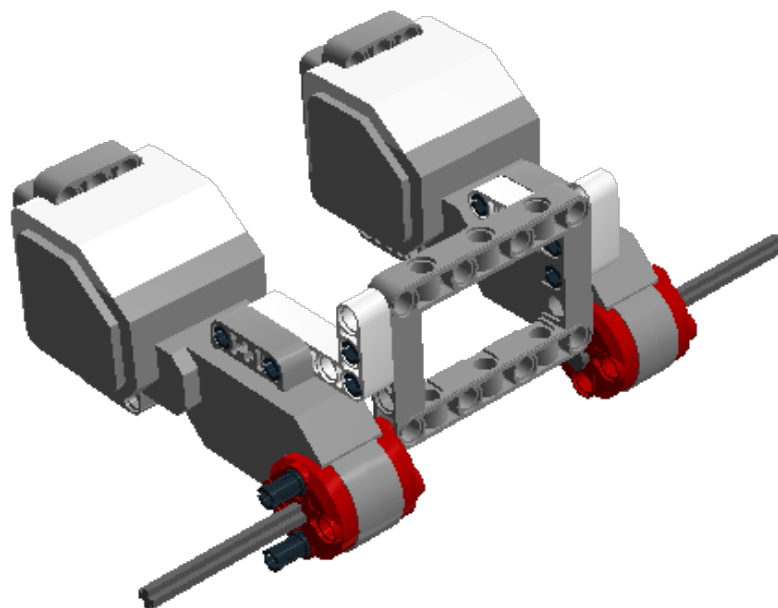
1 x



2 x



1 x



Step 15 of 46

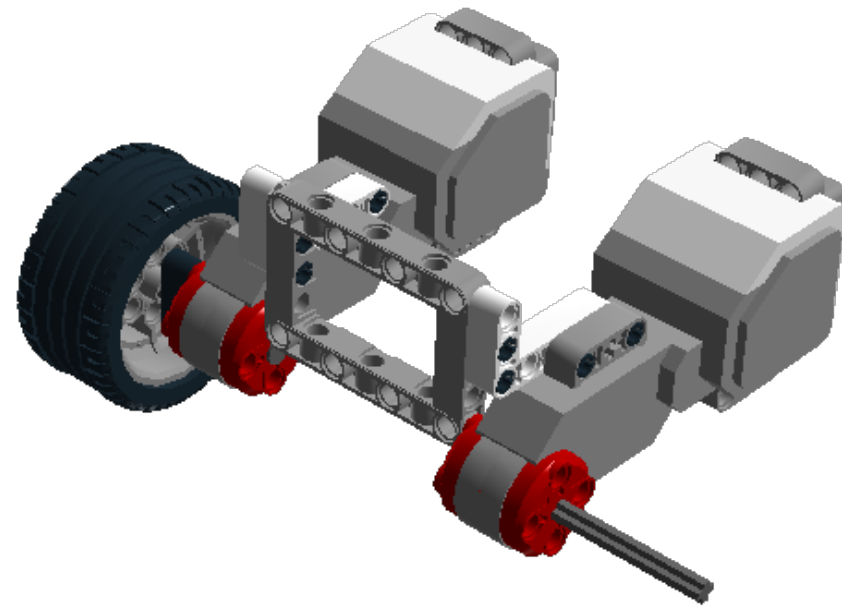
1 x



1 x



1 x

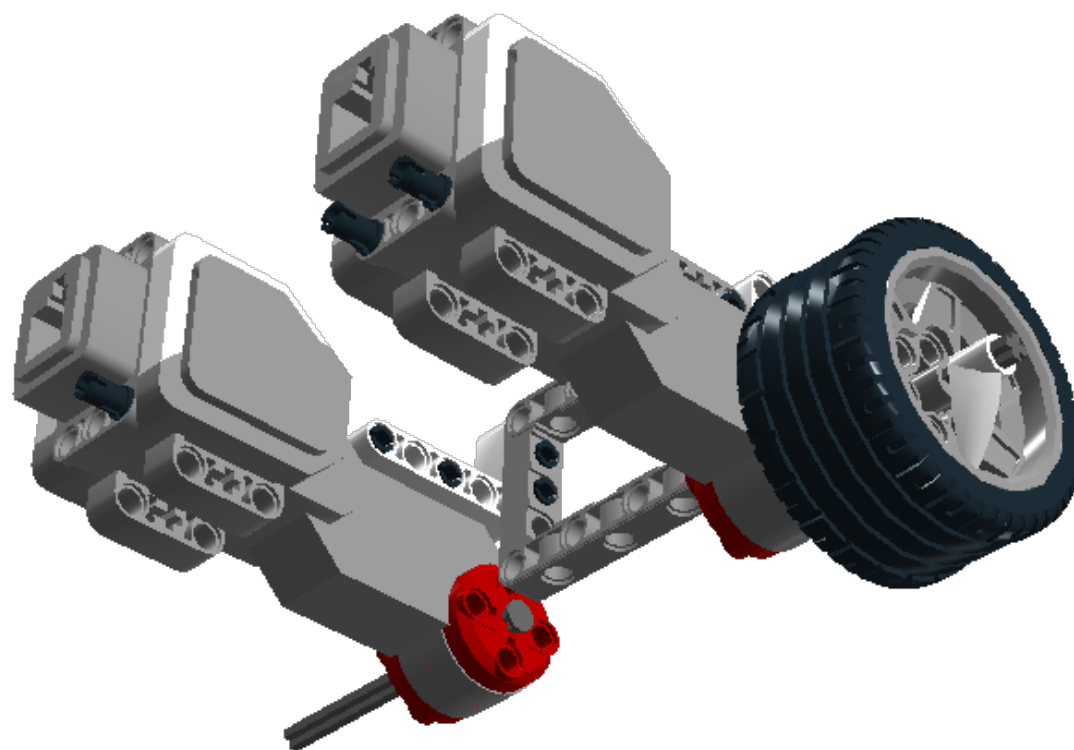


Step 16 of 46

3 x



1 x



Step 17 of 46

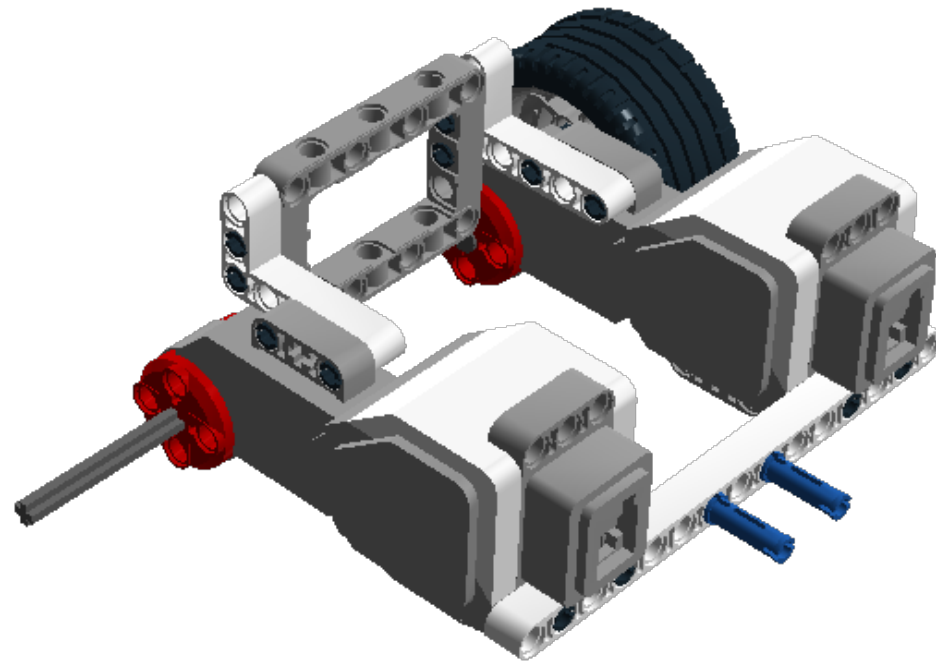
1 x



1 x



2 x



Step 18 of 46

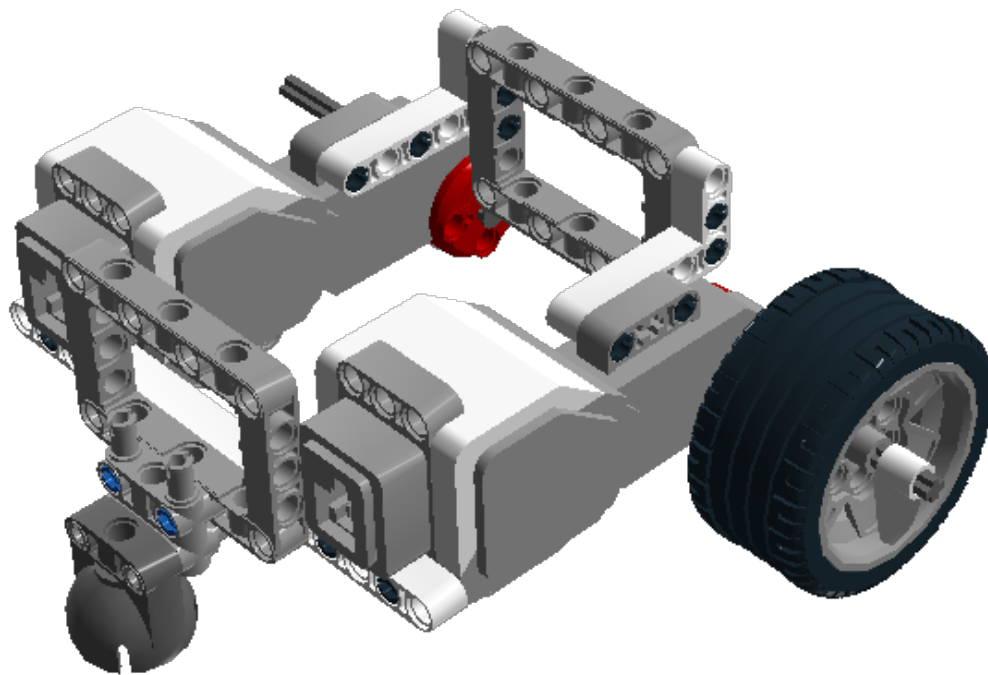
2 x



1 x

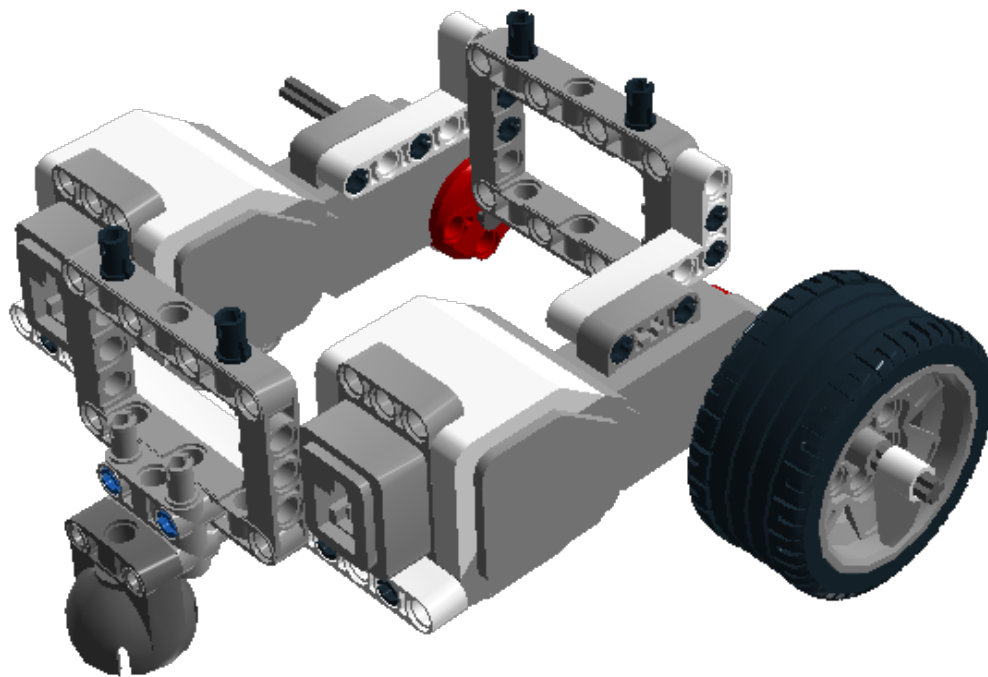


1 x



Step 19 of 46

4 x

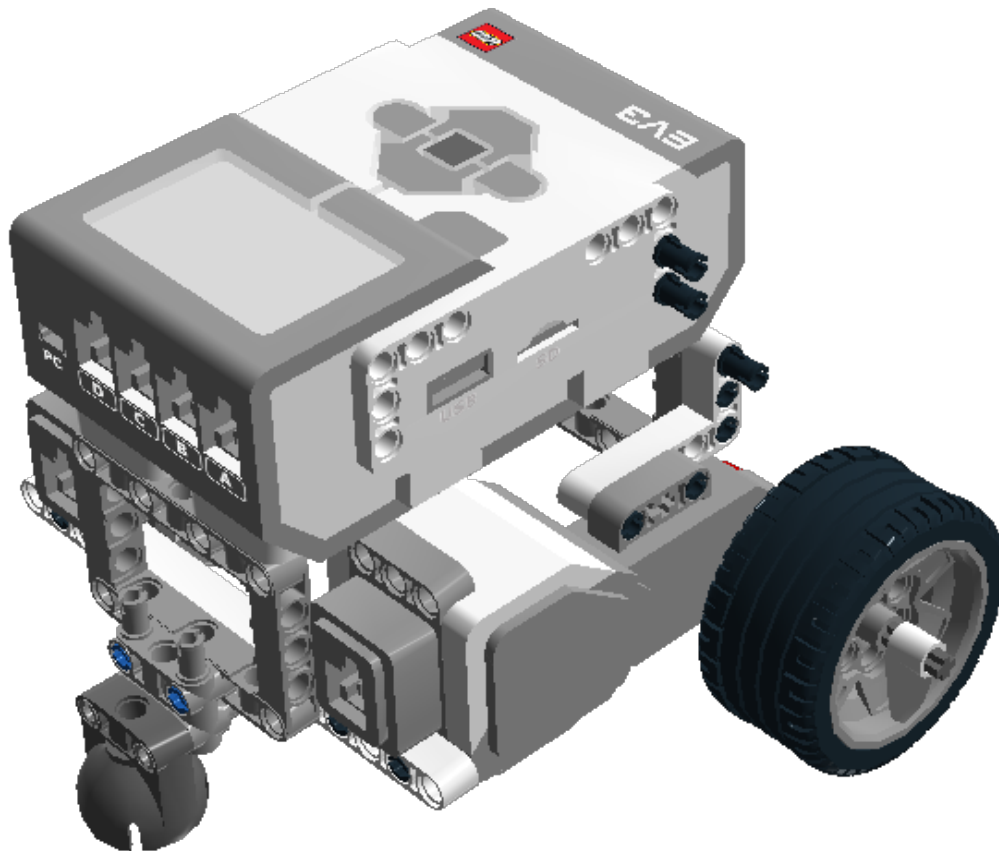


Step 20 of 46

1 x



3 x

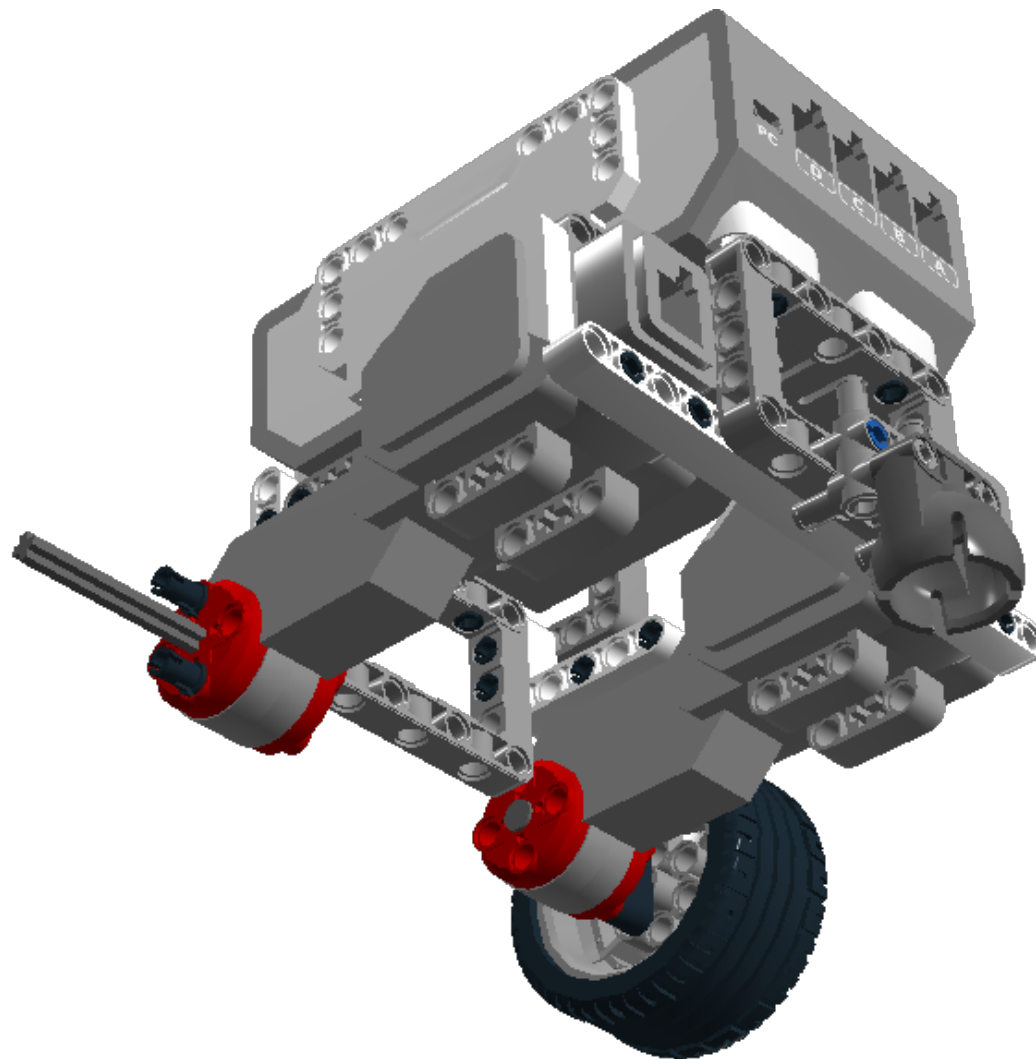


Step 21 of 46

1 x



2 x

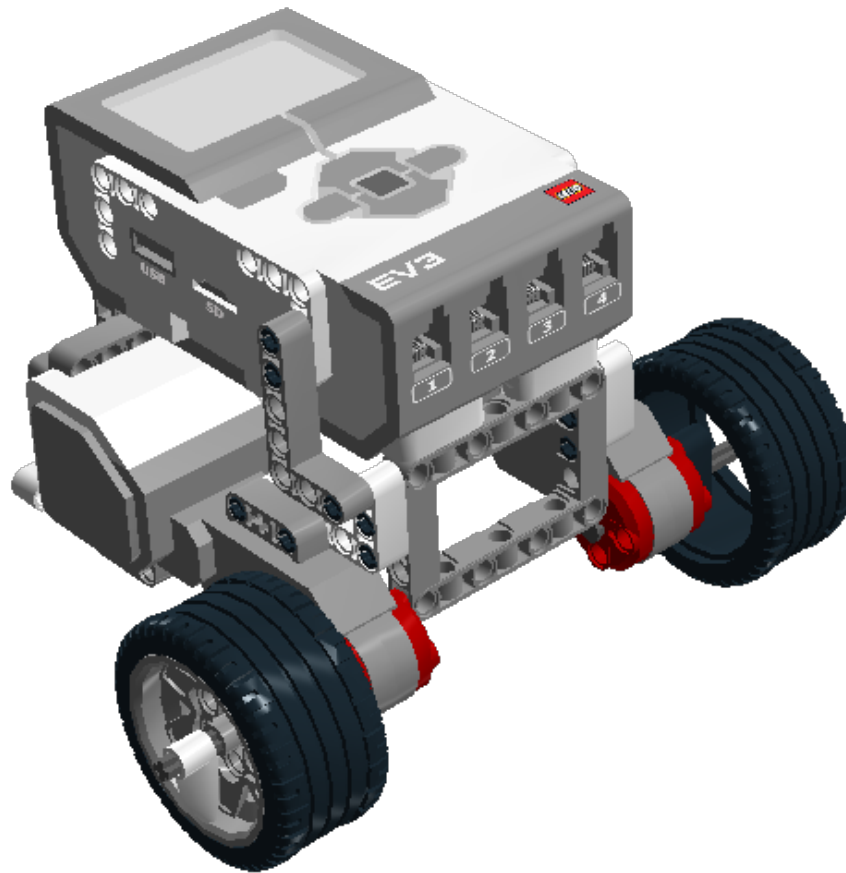
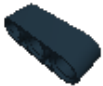


Step 22 of 46

1 x



1 x



Step 23 of 46

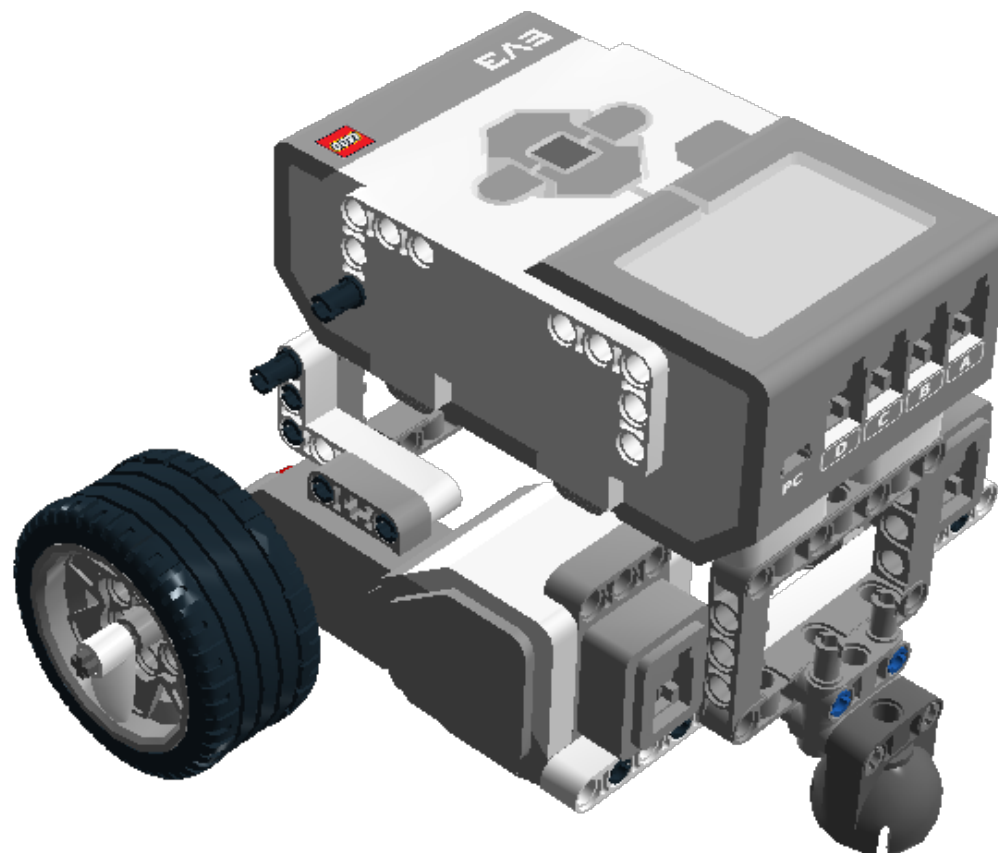
1 x



2 x



1 x

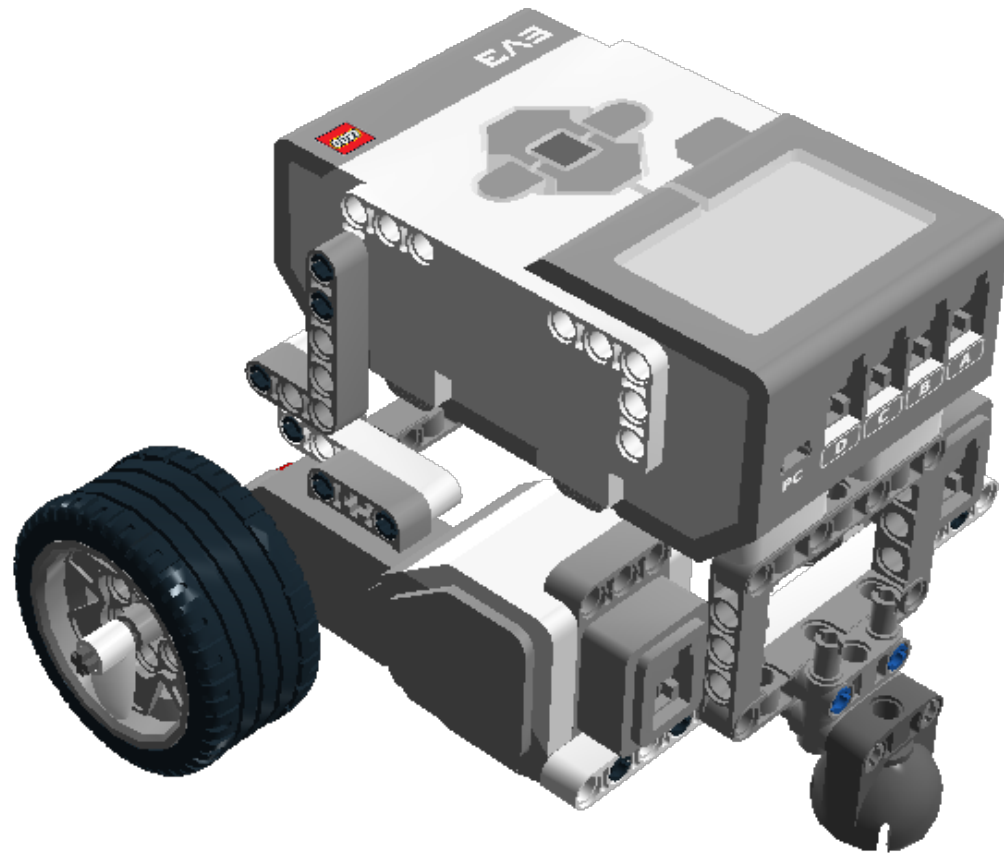


Step 24 of 46

1 x



1 x



Step 25 of 46

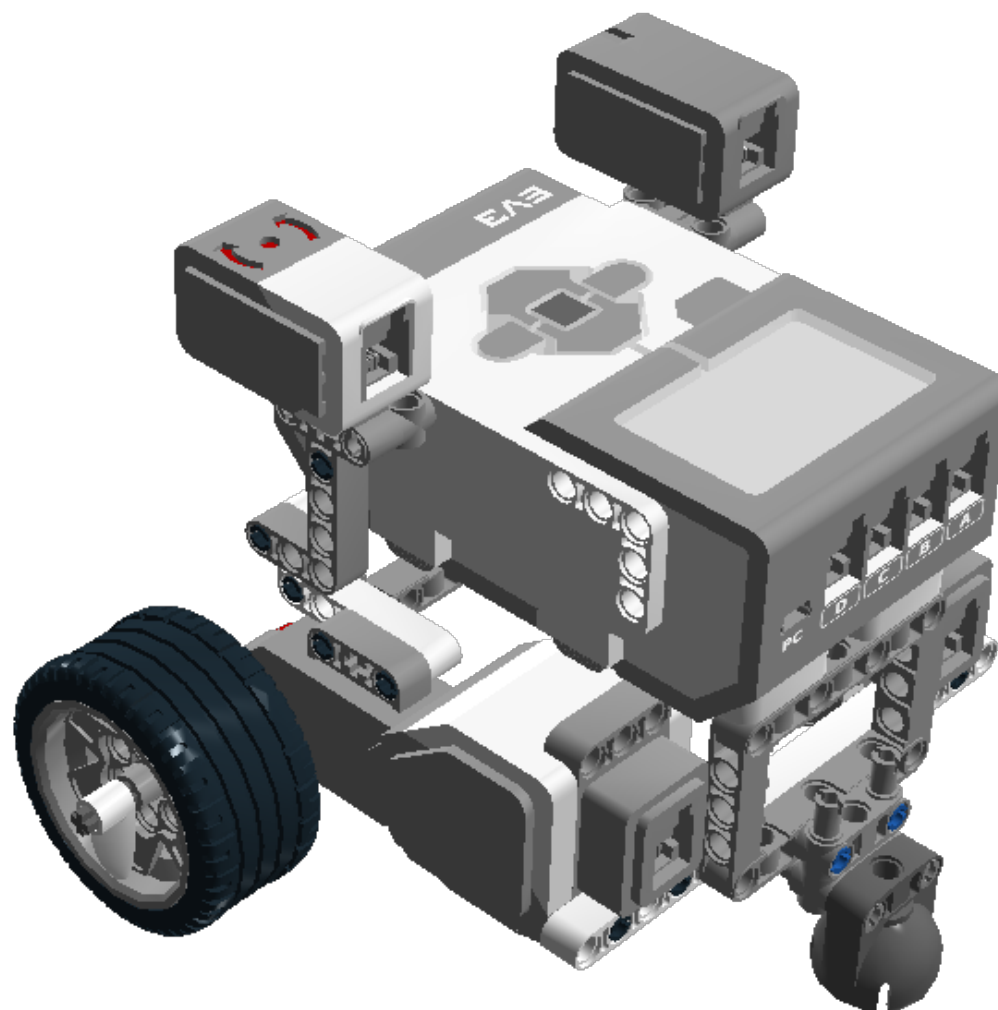
1 x



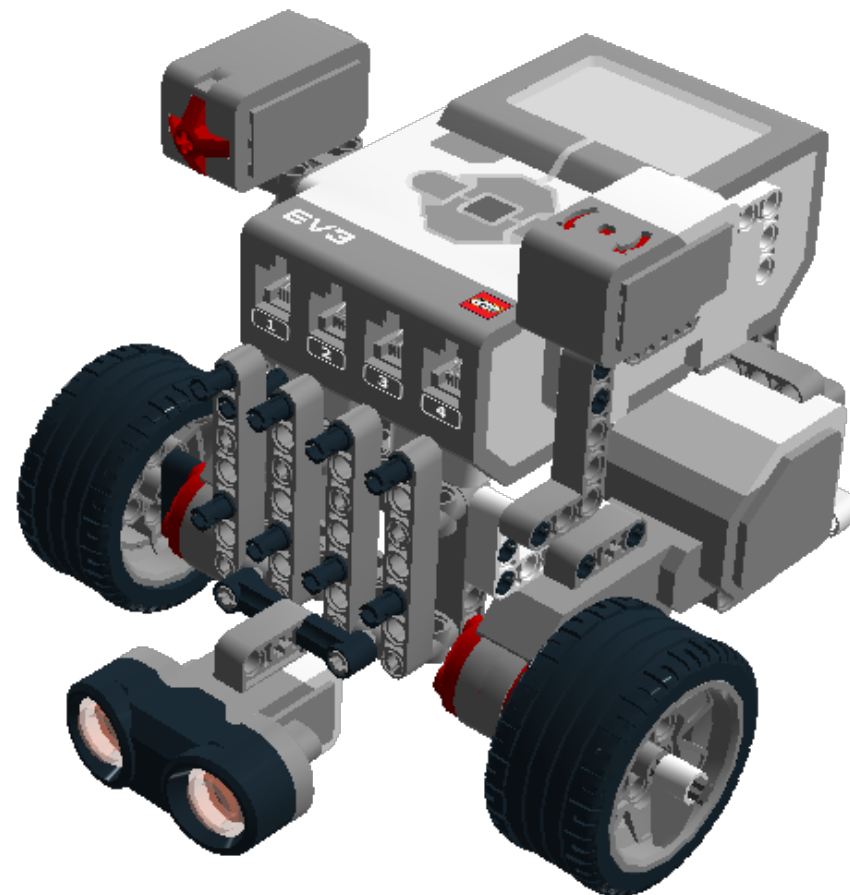
1 x



2 x



Step 26 of 46

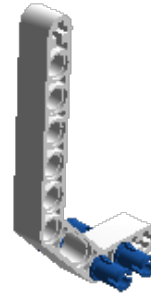


Step 27 of 46

1 x



2 x



Step 28 of 46

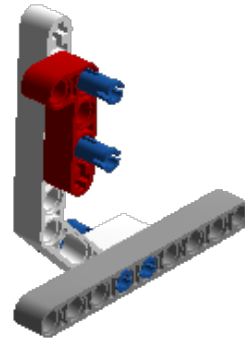
1 x



1 x



2 x



Step 29 of 46

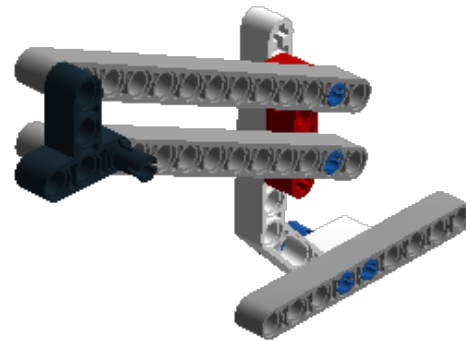
1 x



2 x



1 x



Step 31 of 46

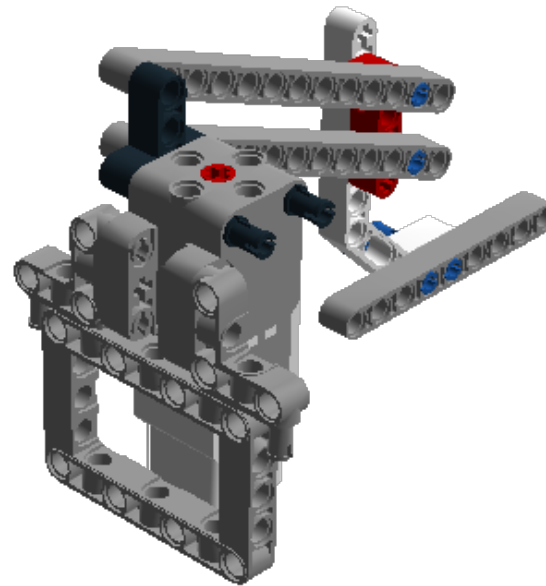
2 x



1 x



1 x



Step 32 of 46

1 x



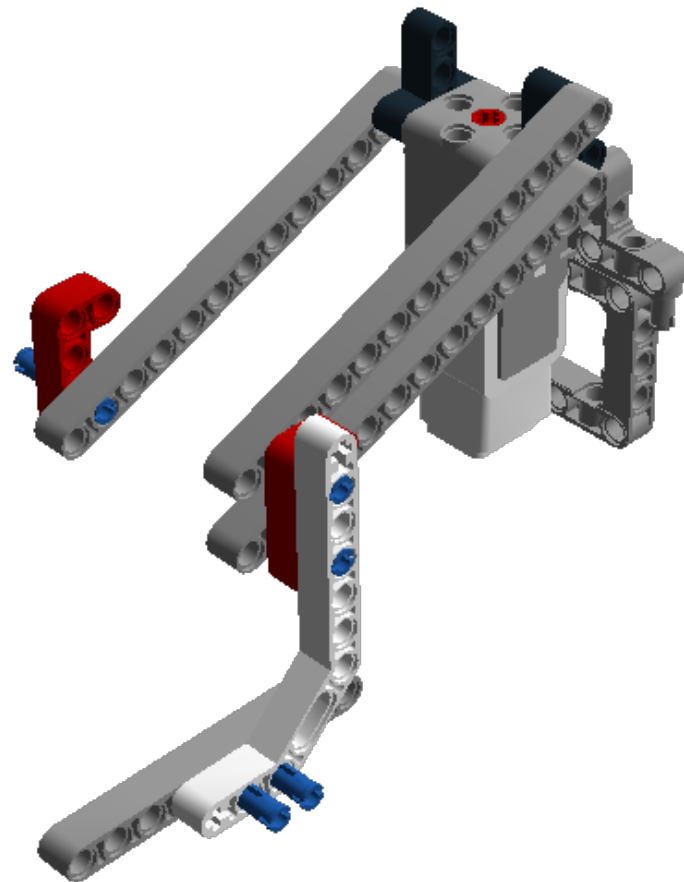
1 x



1 x



1 x



Step 33 of 46

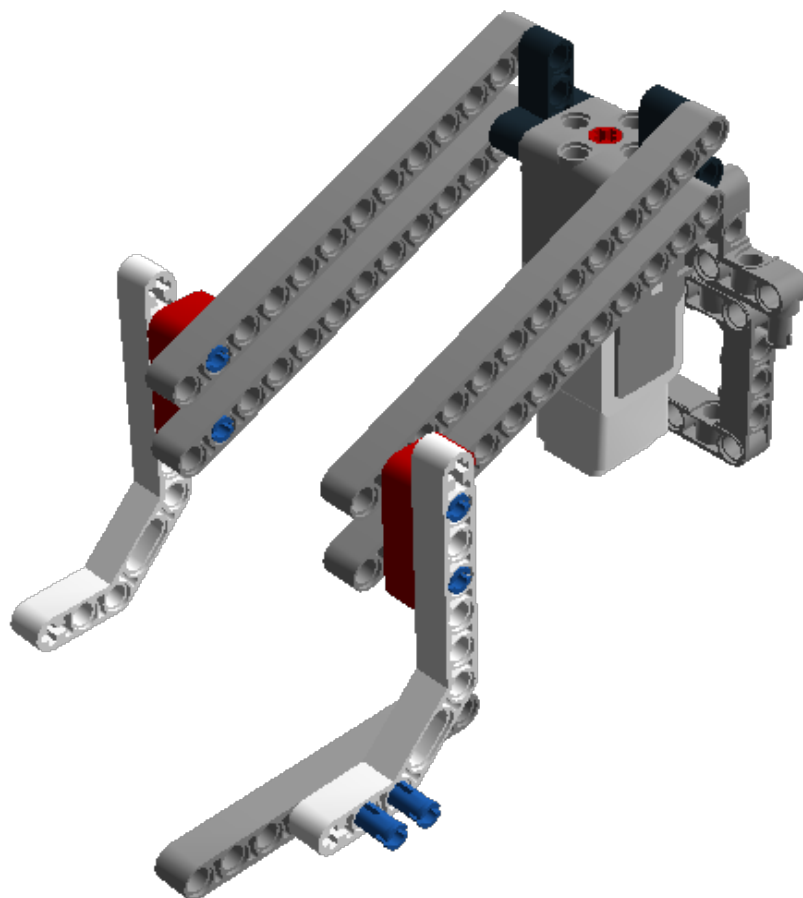
1 x



1 x

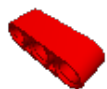


1 x



Step 34 of 46

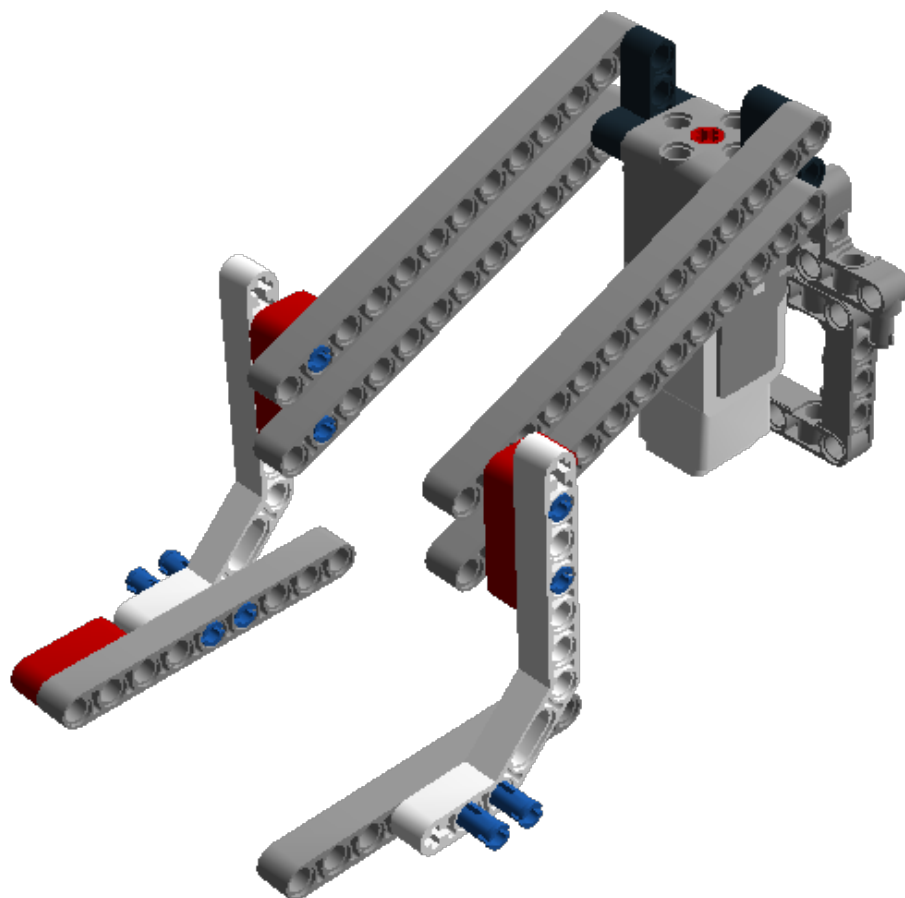
1 x



1 x



2 x

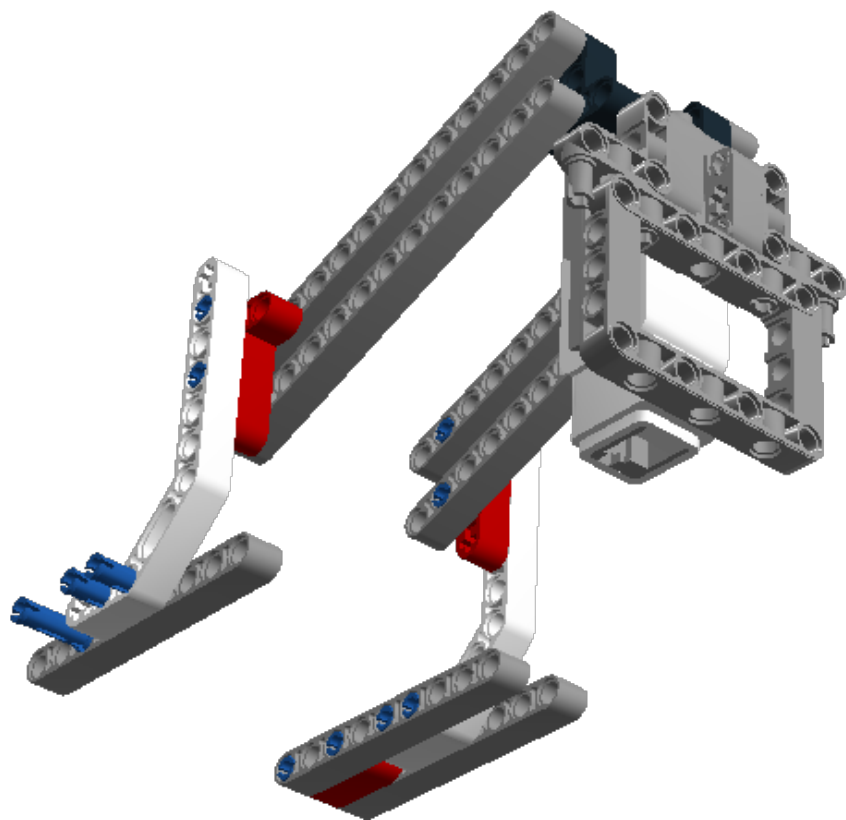


Step 35 of 46

1 x

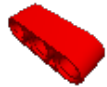


3 x



Step 36 of 46

1 x



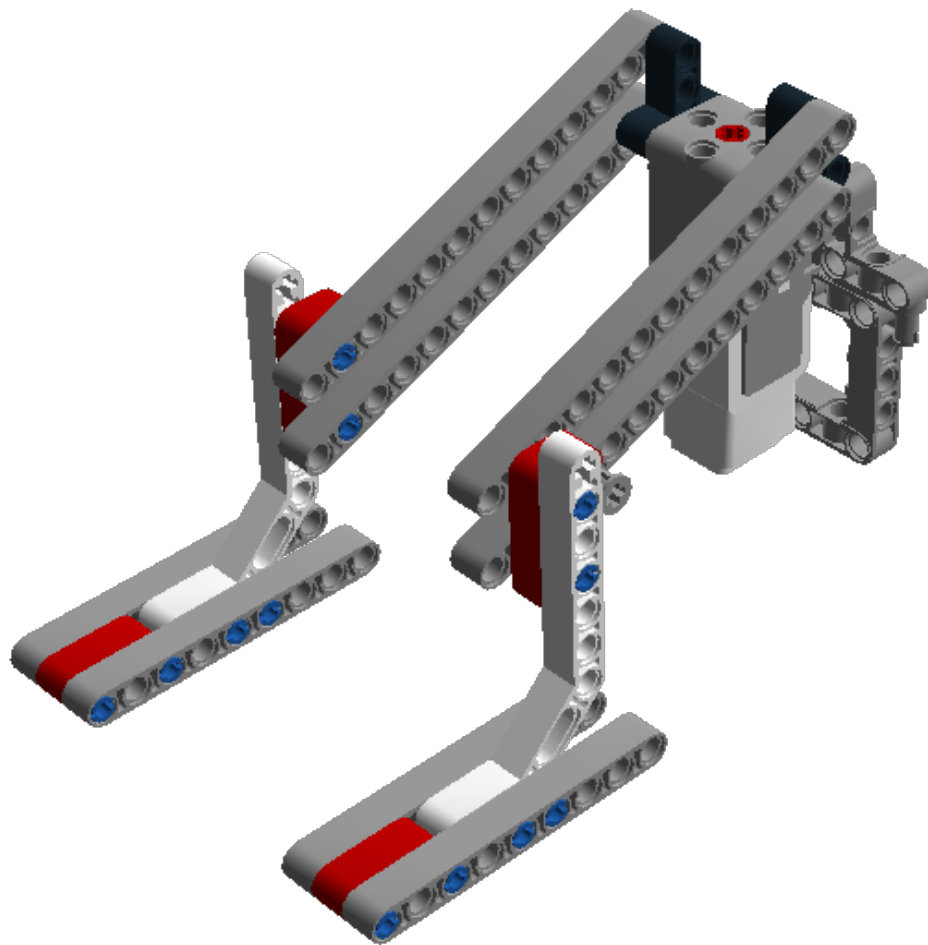
1 x



1 x



1 x



Step 37 of 46

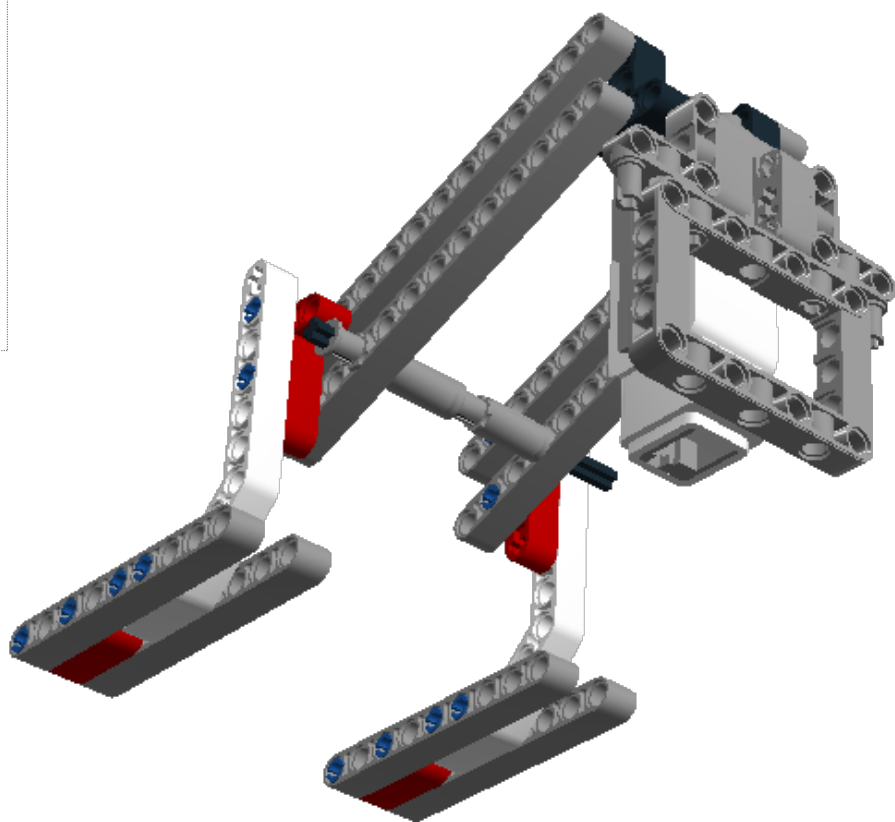
1 x



2 x



1 x

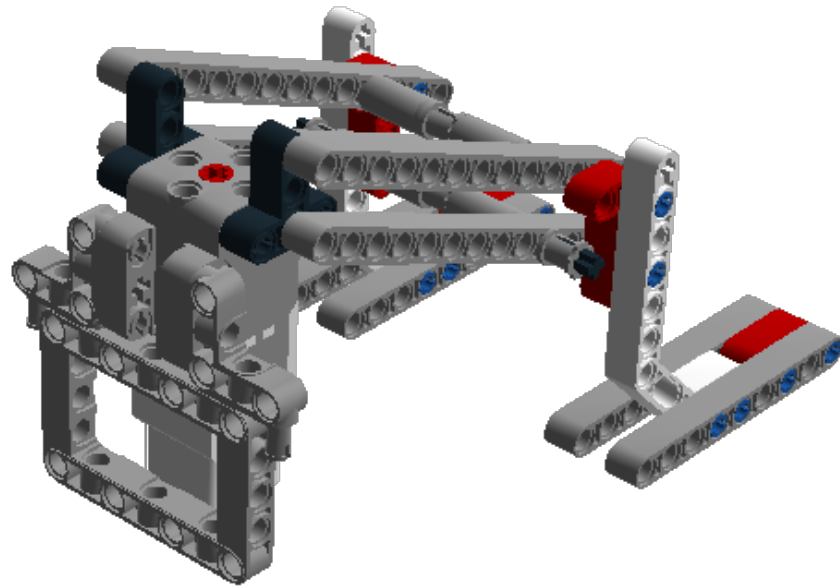


Step 38 of 46

2 x



2 x



Step 39 of 46

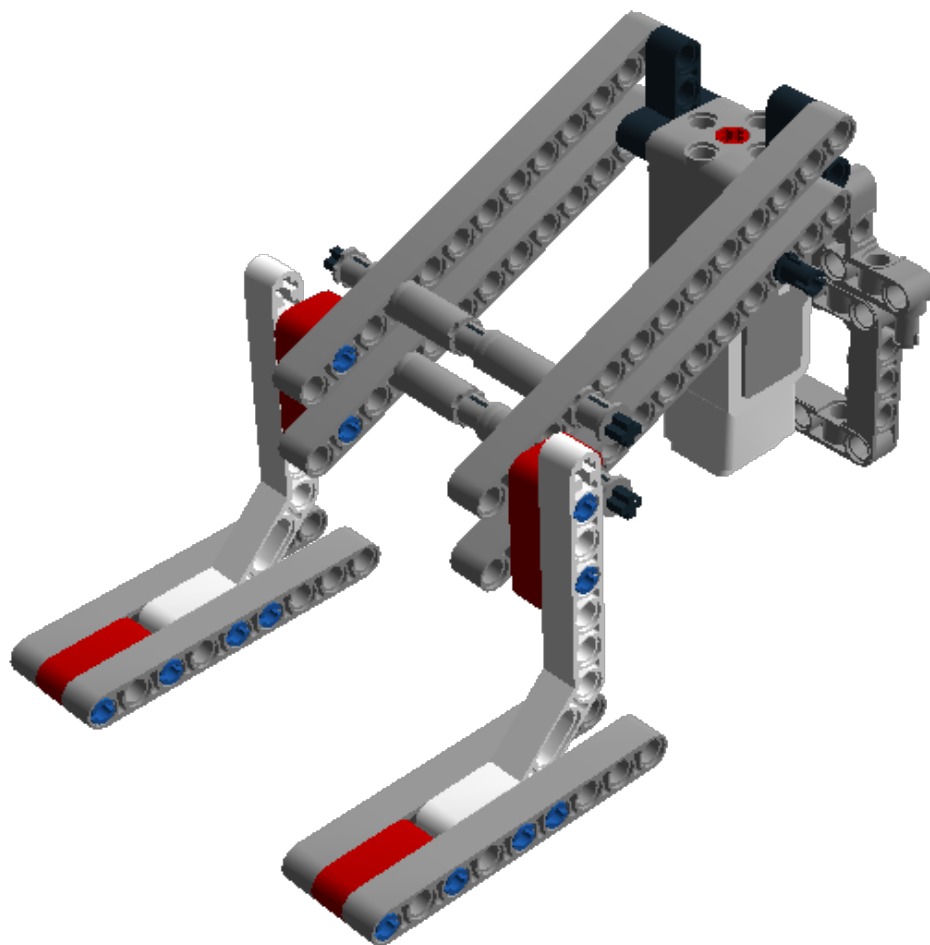
1 x



2 x



1 x

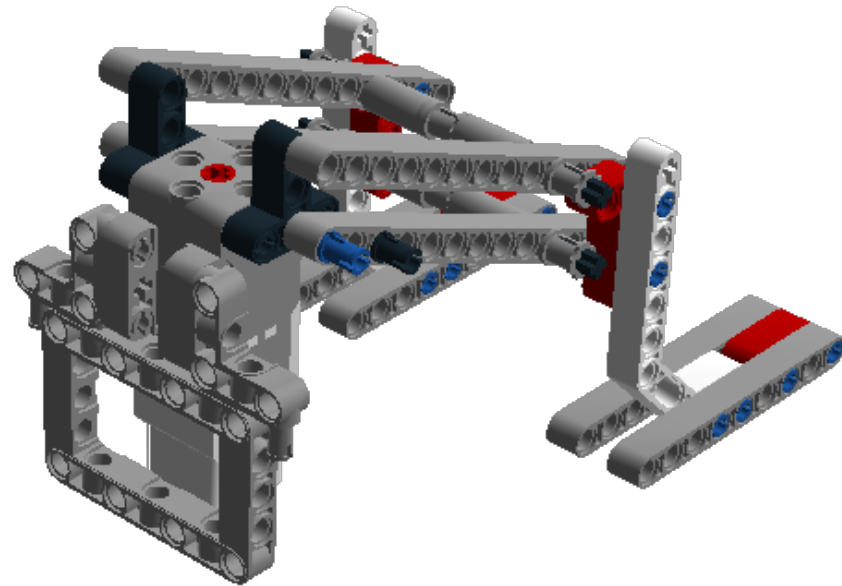


Step 40 of 46

1 x

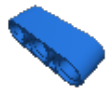


1 x



Step 41 of 46

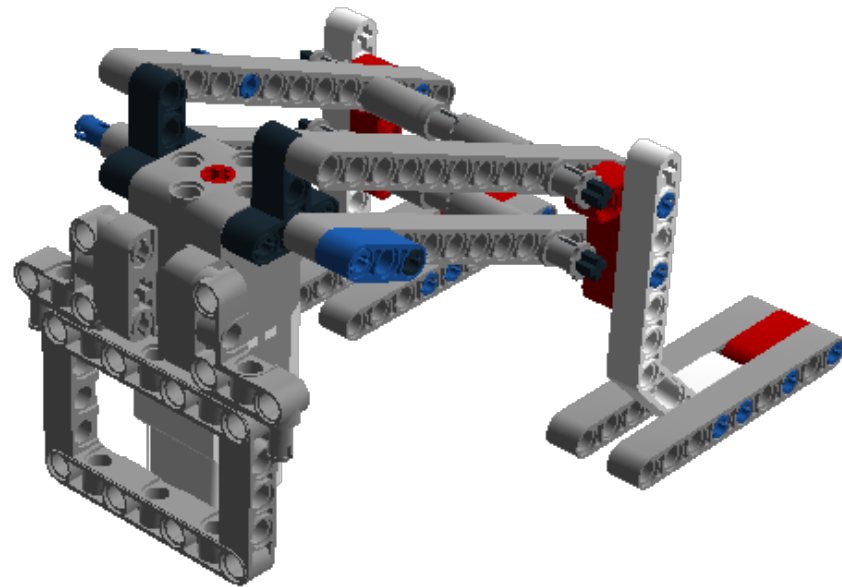
1 x



1 x

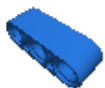


1 x



Step 42 of 46

1 x



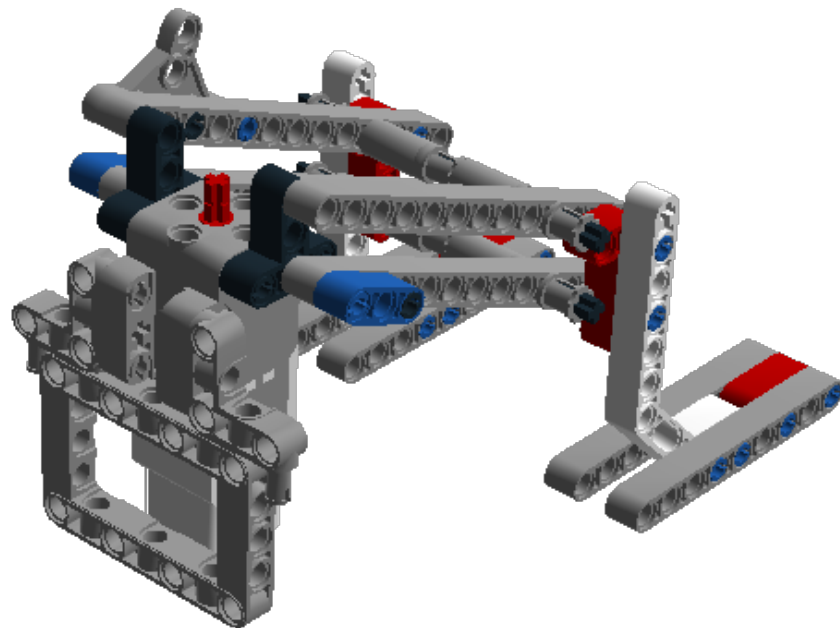
1 x



1 x



1 x

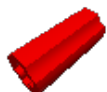


Step 43 of 46

1 x



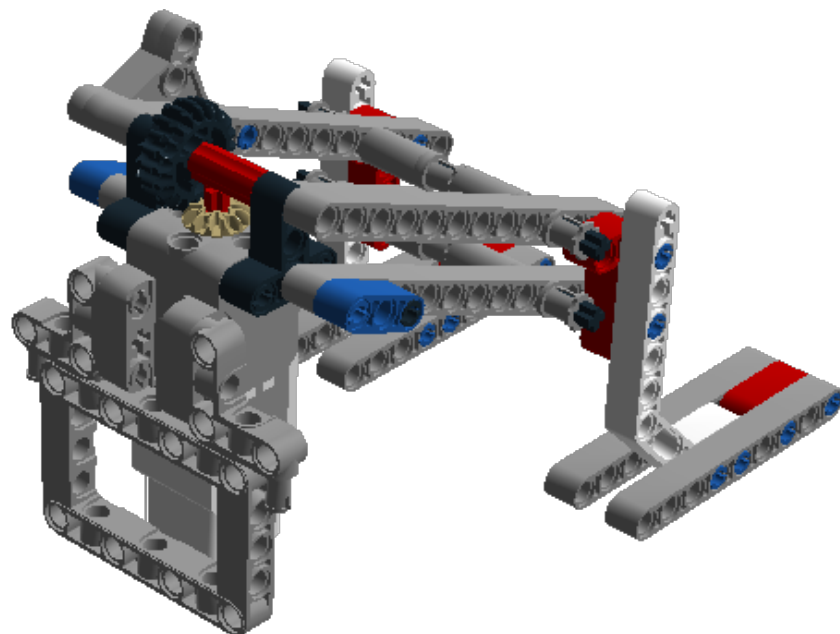
1 x



1 x

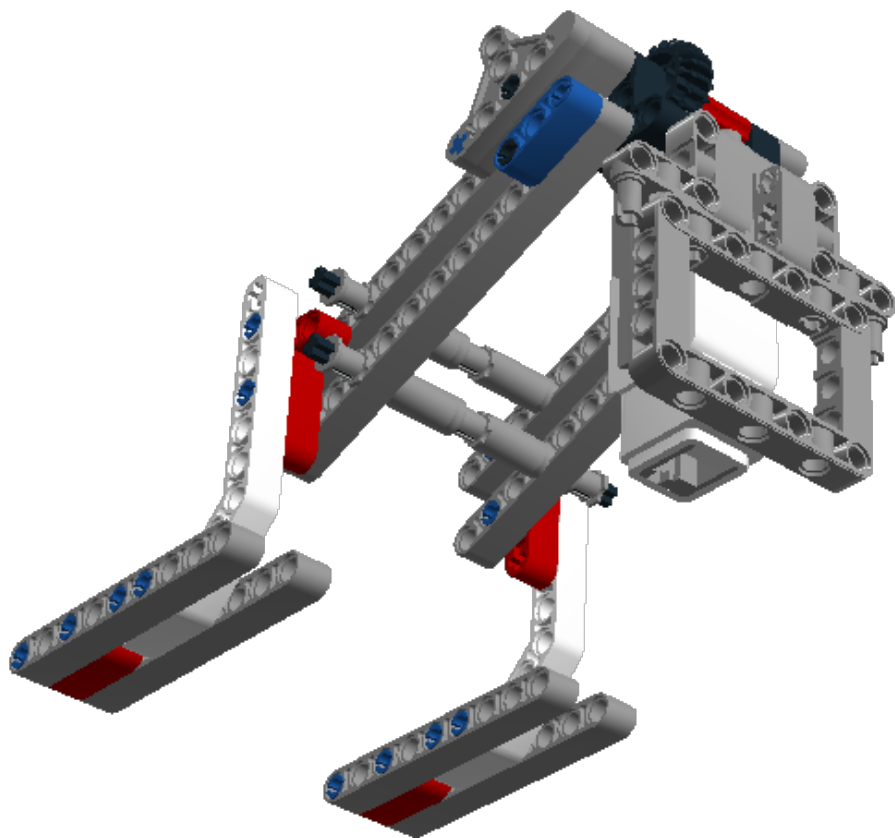


1 x



Step 44 of 46

1 x

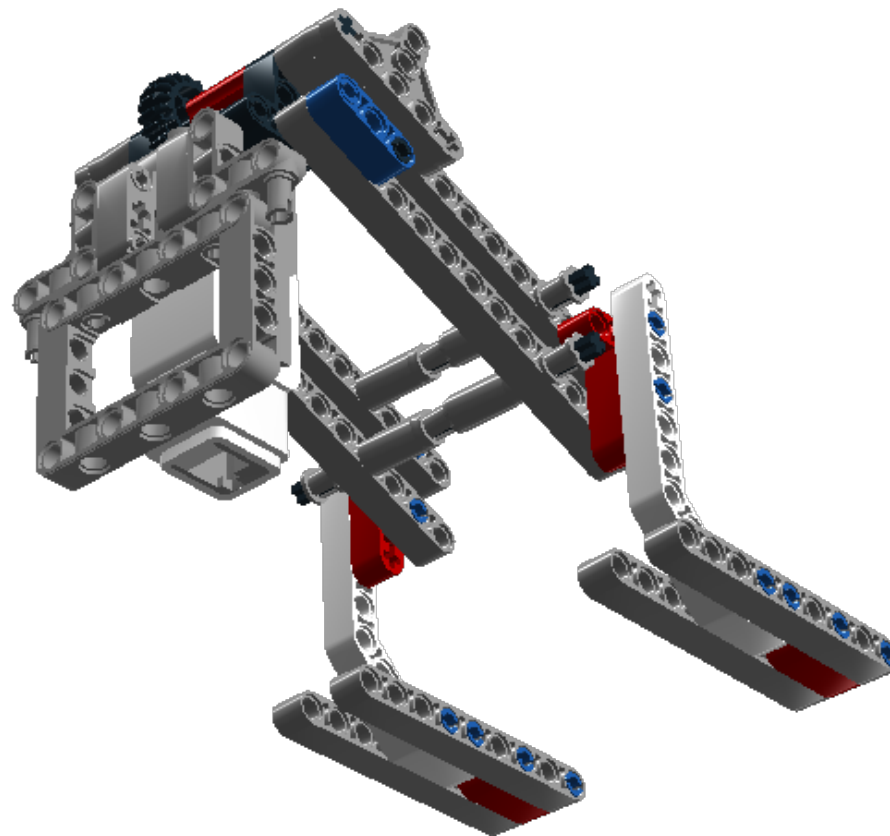


Step 45 of 46

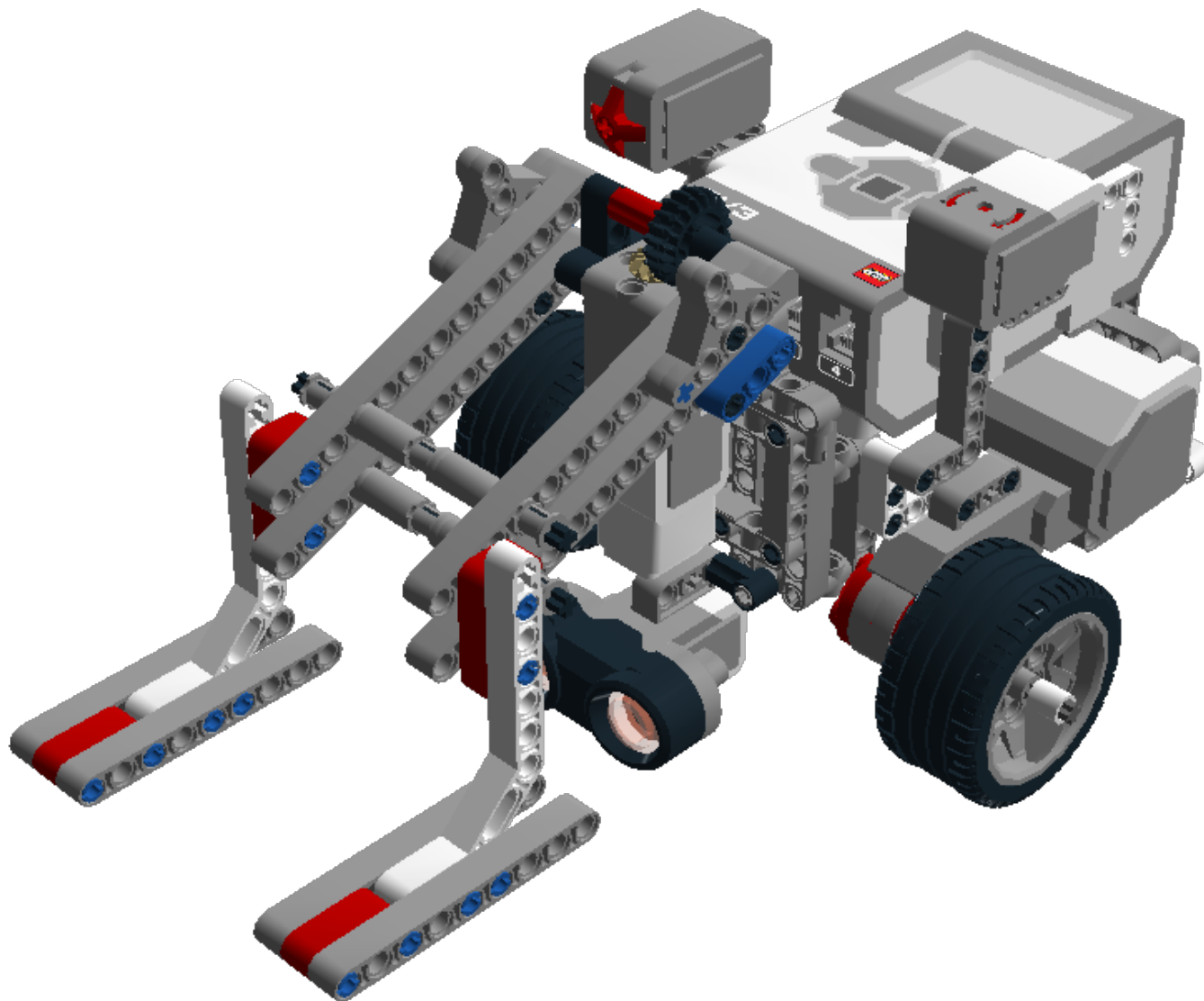
2 x





1 x

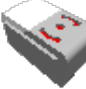



Step 46 of 46





2 x  4634091 RIM WIDE 43,2X26 W 6
HOL.Ø 4.8 - Medium Stone
Grey


2 x  6035364 TYRE LOW WIDE Ø56 X 28
- Black


1 x  6008916 MS, EV3, GYRO SENSOR -
White, Bright Red, Medium
Stone Grey, Silver Metallic

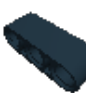
1 x  6008472 MS, EV3, TOUCH SENSOR
- Bright Red, Medium Stone
Grey, Silver Metallic

1 x  6008577 SMALL MOTOR -
White, Bright Red, Medium
Stone Grey, Silver Metallic

1 x  6063629 MS-EV3, ULTRASONIC
SENSOR - White, Black, Tr.
Red, Medium Stone
Grey, Silver Metallic

2 x  6057952 MS 2013 ENGINE -
White, Bright Red, Medium
Stone Grey


1 x  6009996 MS-EV3, P-BRICK -
White, Transparent, Medium
Stone Grey, Dark Stone
Grey, Silver Metallic

2 x  4142822 TECHNIC 3M BEAM - Black


2 x  4153718 TECHNIC 3M BEAM - Bright
Red

2 x  4509376 TECHNIC 3M BEAM - Bright
Blue

4 x  4495930 TECHNIC 7M BEAM -
Medium Stone Grey

2 x  4141270 TECHNIC ANG. BEAM 4X2
90 DEG - Bright Red


4 x  4211866 TECHNIC 9M BEAM -
Medium Stone Grey


2 x  4552347 T-BEAM 3X3 W/HOLE Ø4.8
- Black


4 x  4522934 TECHNIC 13M BEAM -
Medium Stone Grey


1 x  4542578 TECHNIC 15M BEAM -
White


2 x  4211713 TECHNIC ANG. BEAM 3X5
90 DEG. - Medium Stone
Grey

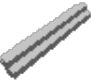
2 x  4585040 TECHNIC ANG. BEAM 3X5
90 DEG. - White


2 x  4495412 DOUBLE ANGULAR BEAM
3X7 45° - White


4 x  6009019 TRIANGEL - Medium Stone
Grey


1 x  4142865 2M CROSS AXLE W. GROOVE - Bright Red

41 x  4121715 CONNECTOR PEG W. FRICTION - Black


1 x  4211815 CROSS AXLE 3M - Medium Stone Grey

6 x  4211622 BUSH FOR CROSS AXLE - Medium Stone Grey


1 x  4206482 CONN. BUSH W. FRIC./CROSSALE - Bright Blue


1 x  370526 CROSS AXLE 4M - Black

16 x  4514553 CONNECTOR PEG W. FRICTION 3M - Bright Blue


1 x  4513174 CROSS AXLE, EXTENSION, 2M - Bright Red


1 x  4211639 CROSS AXLE 5M - Medium Stone Grey


2 x  4107085 ANGLE ELEMENT, 0 DEGREES [1] - Black


4 x  4526985 TUBE Ø7,84 2M - Medium Stone Grey


2 x  4560175 DOUBLE BUSH 3M Ø4.9 - Medium Stone Grey


2 x  373726 CROSS AXLE 10M - Black


2 x  4499858 CROSS AXLE 8M WITH END STOP - Dark Stone Grey


8 x  4225033 BEAM 3 M. W/4 SNAPS - Medium Stone Grey


2 x  4296059 Angular beam 90degr. w.4 snaps - Medium Stone Grey

1 x  4610380 POWER JOINT - Dark Stone Grey

3 x  4539880 BEAM FRAME 5X7 Ø 4.85 - Medium Stone Grey

1 x  4565452 CONICAL WHEEL Z12 - Brick Yellow

1 x  4177430 DOUBLE CONICAL WHEEL Z20 1M - Black

2 x  4173941 BION. EYE - White

Use of the LEGO Digital Designer html print tool, signifies your agreement to the terms of use.