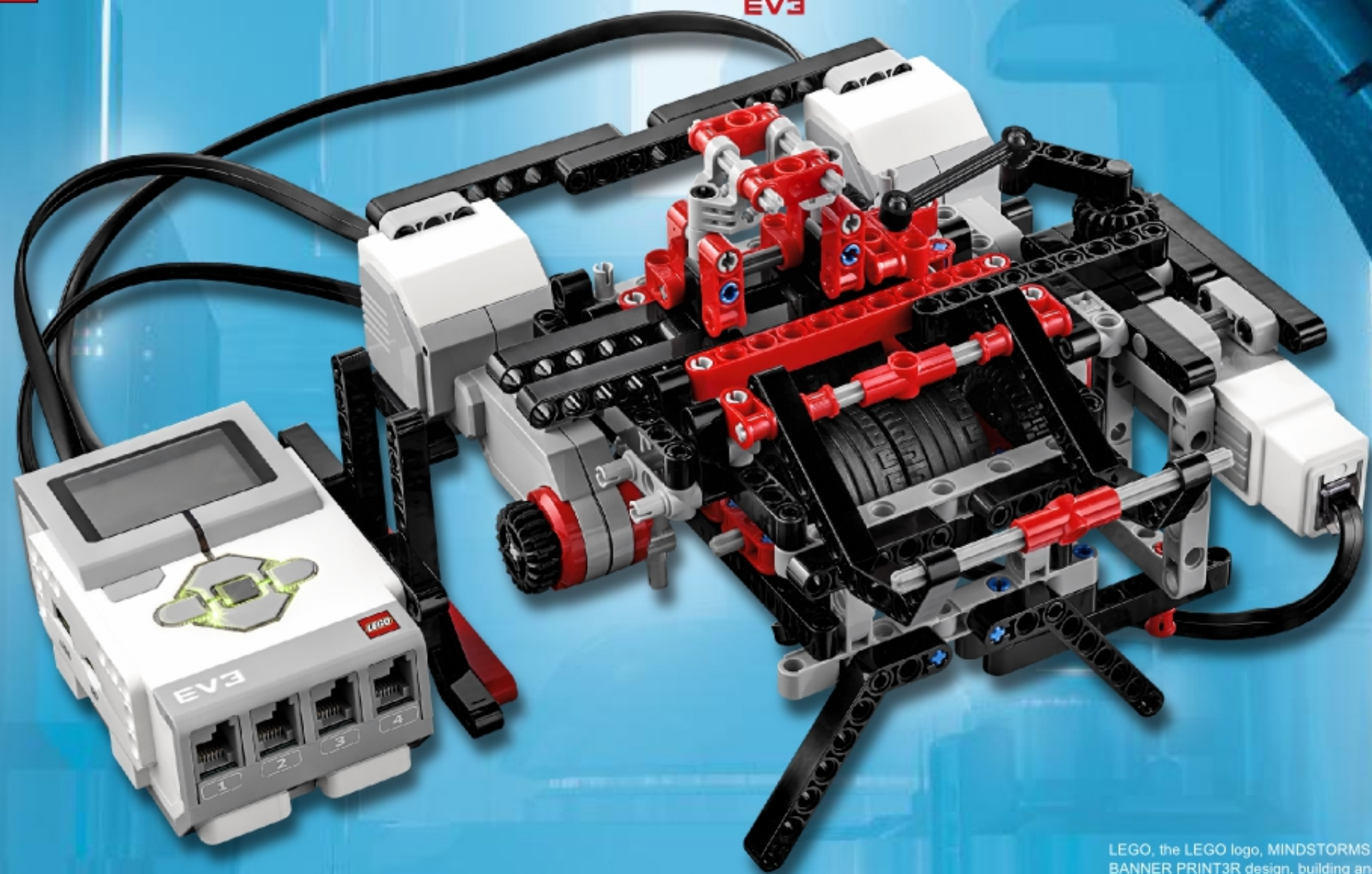


LEGO mindstorms[®]
EV3

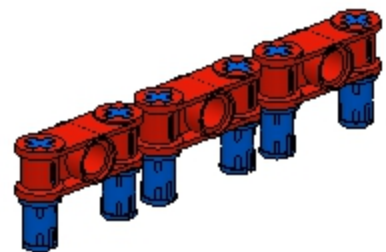
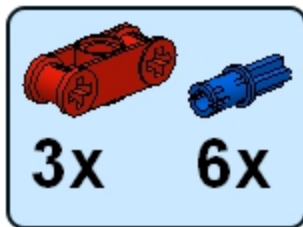
BANNER PRINT3R



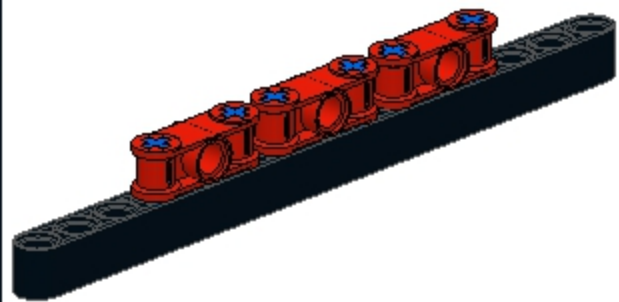
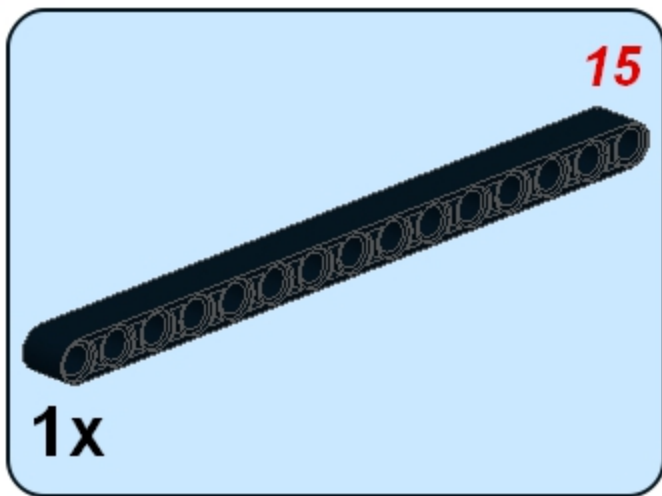
Model Design
and Programming Instructions
by: **Ralph Hempel**

Building Instructions
by: **Ralph Hempel &
Phillippe "Philo" Hurbain**

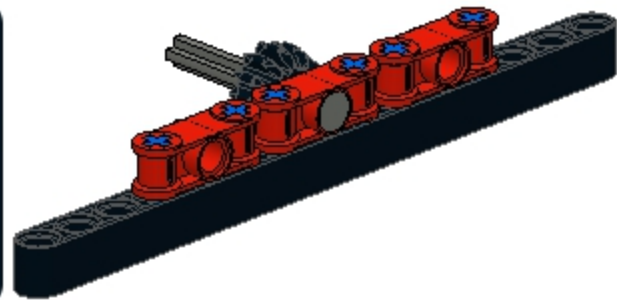
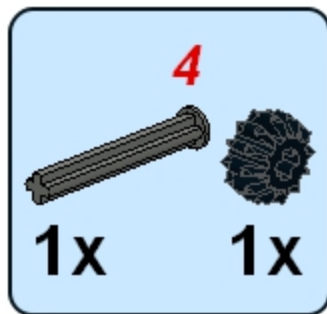
1



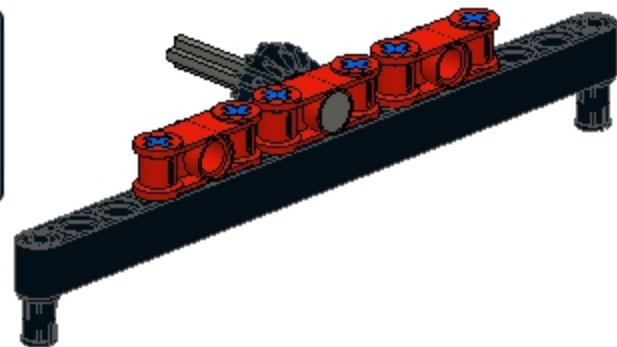
2

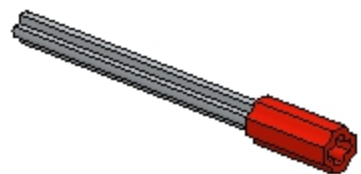
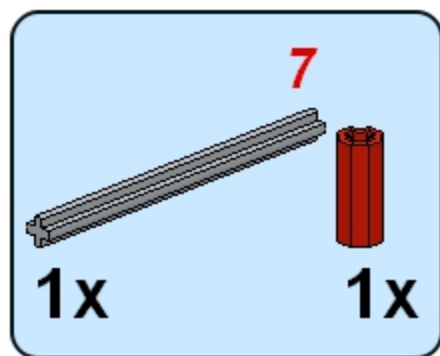
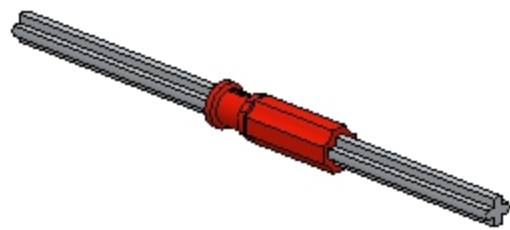
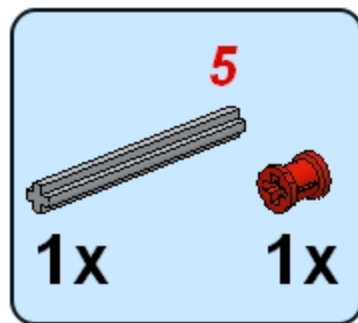
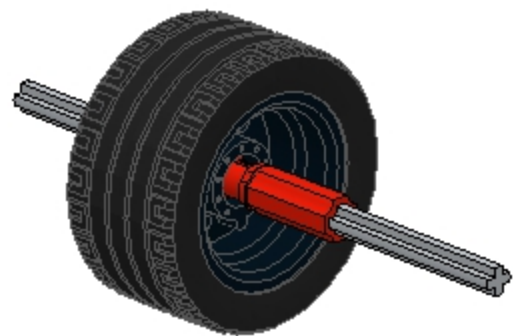
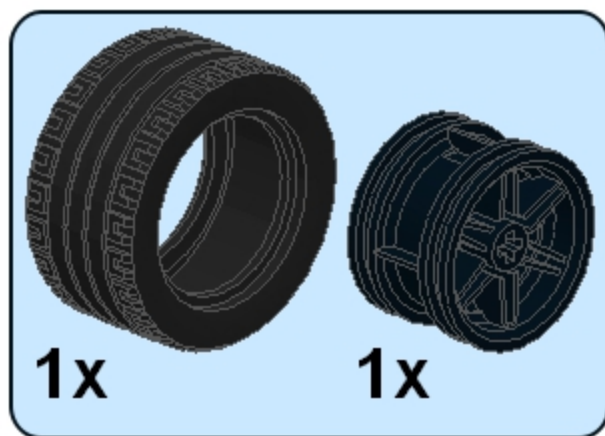
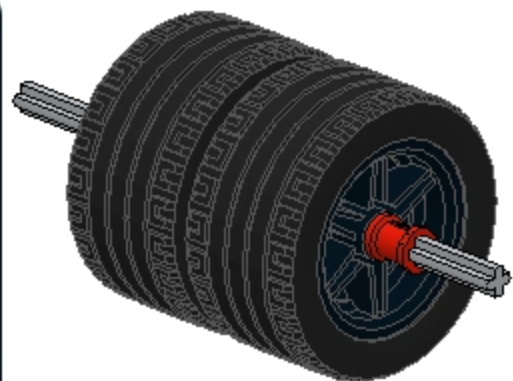
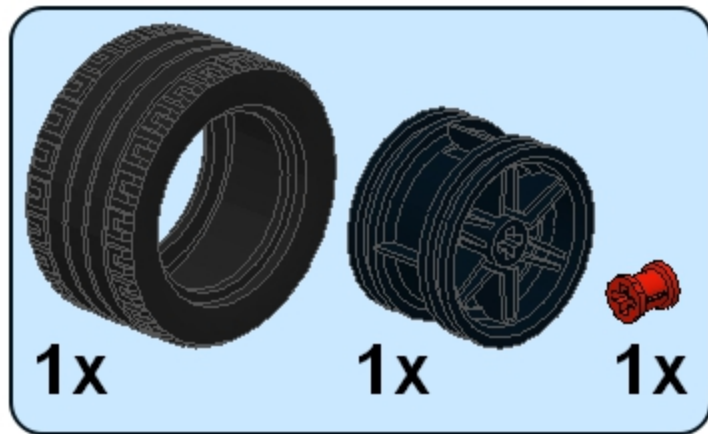
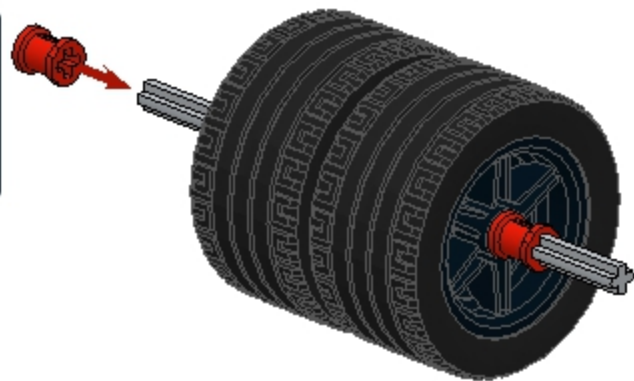
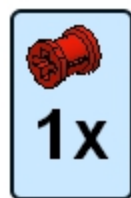
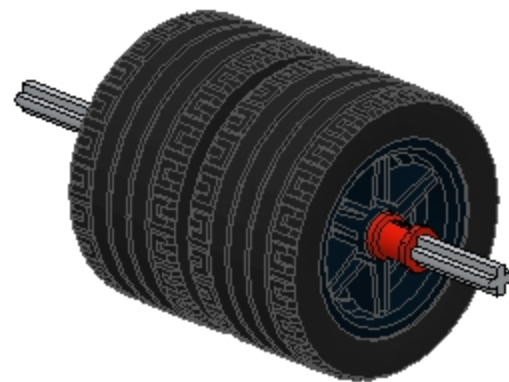


3

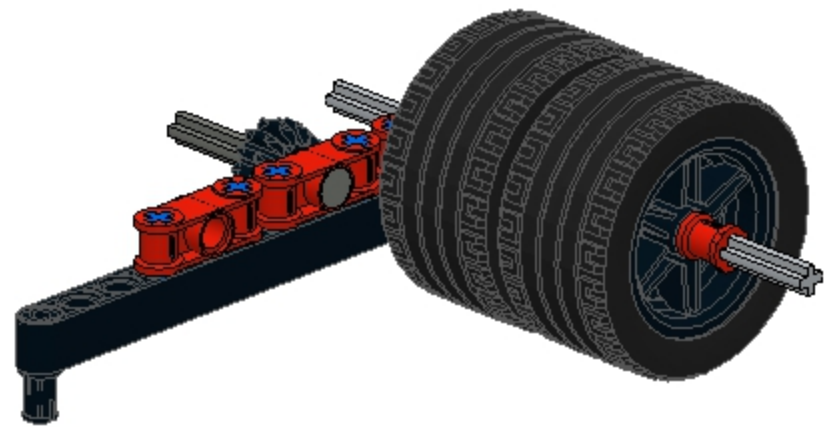


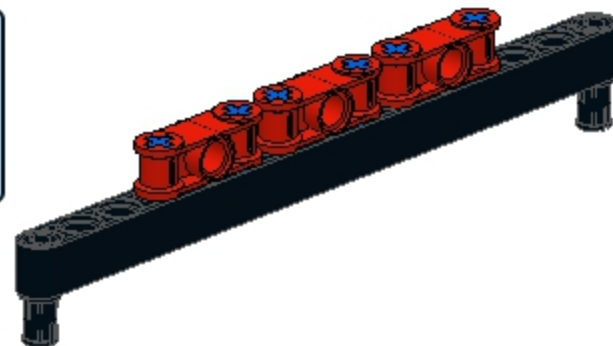
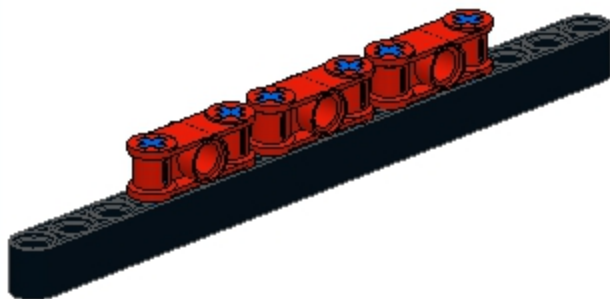
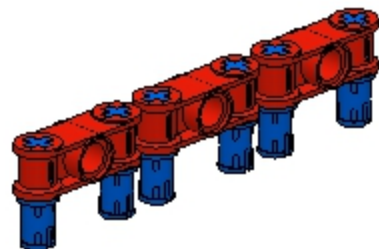
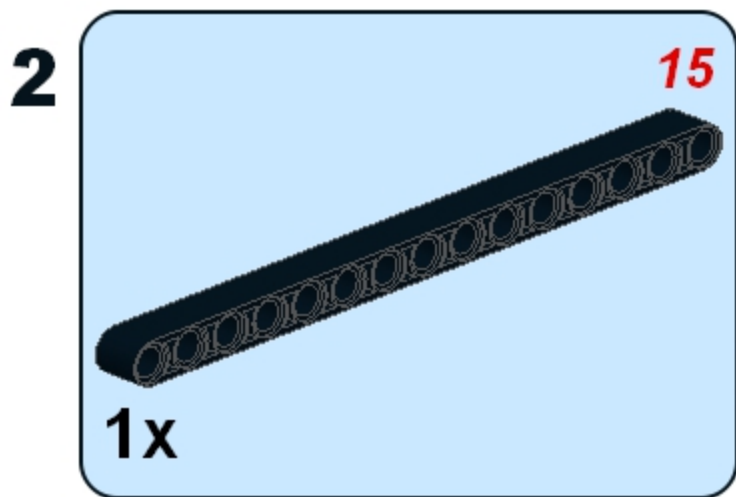
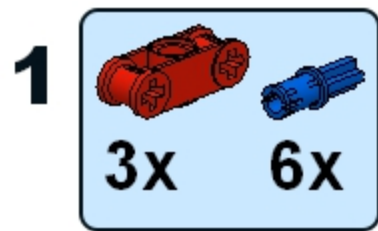
4

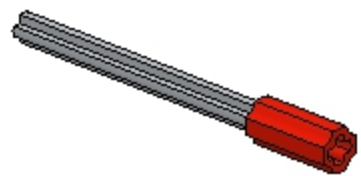
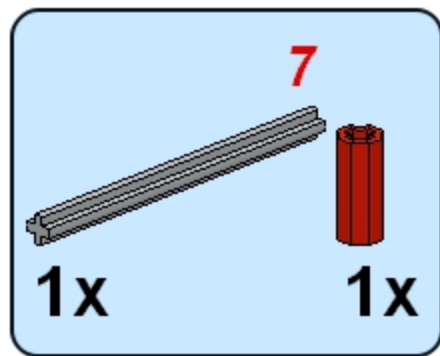
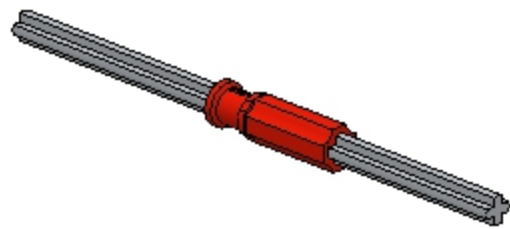
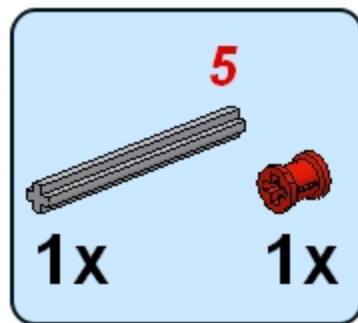
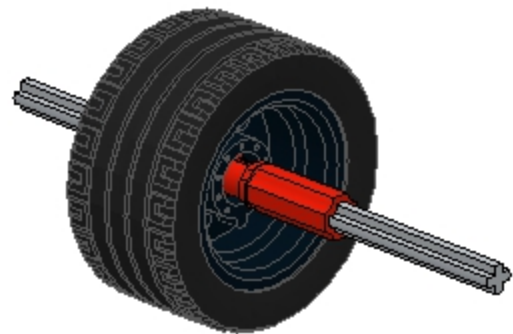
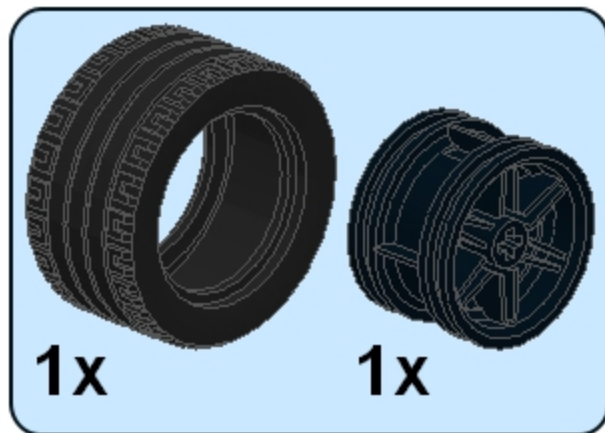
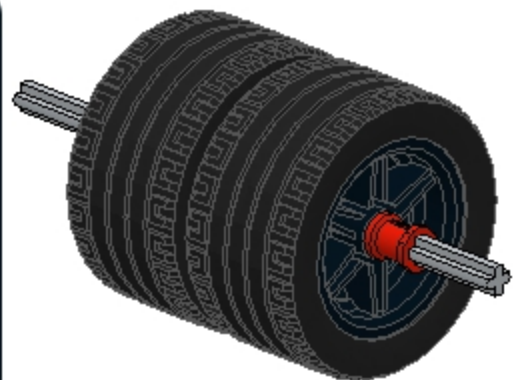
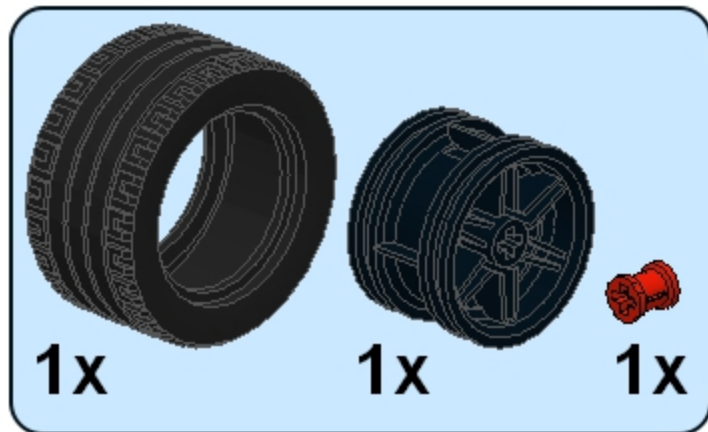
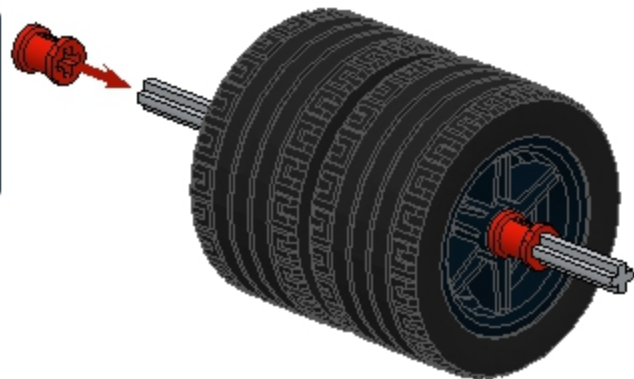
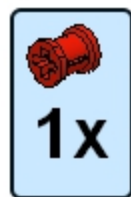
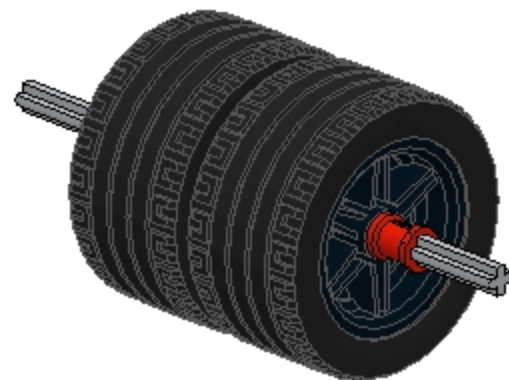


1**2****3****4****5****6**

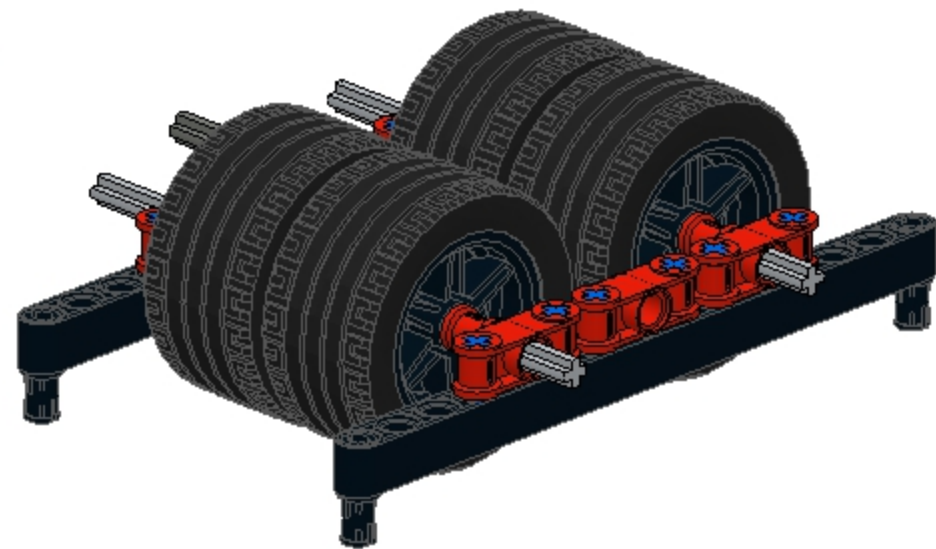
1



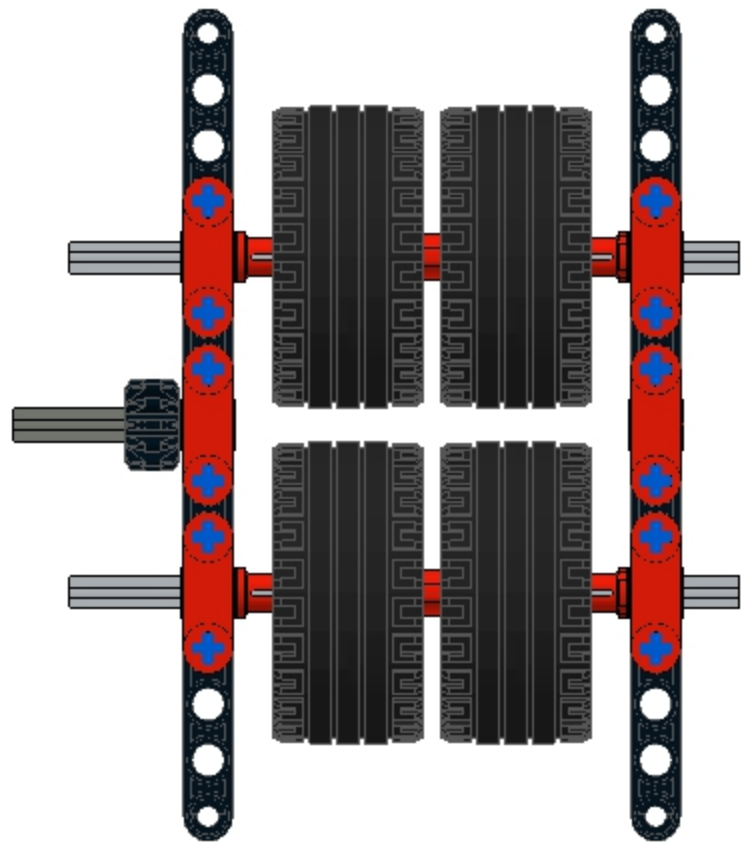


1**2****3****4****5****6**

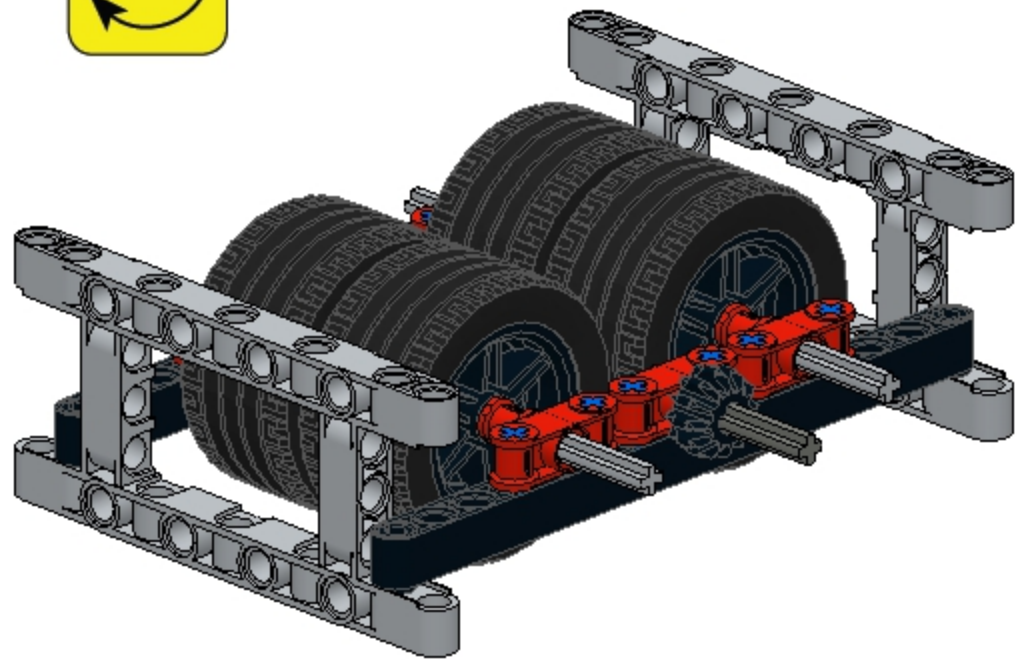
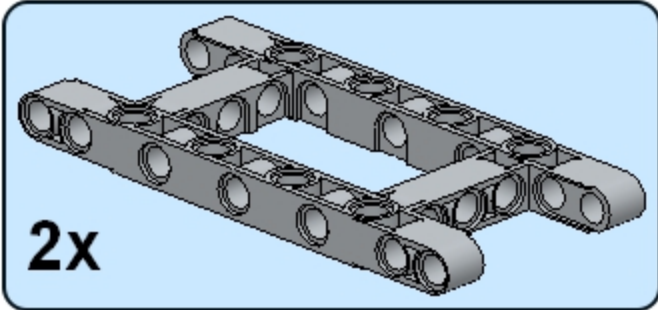
2



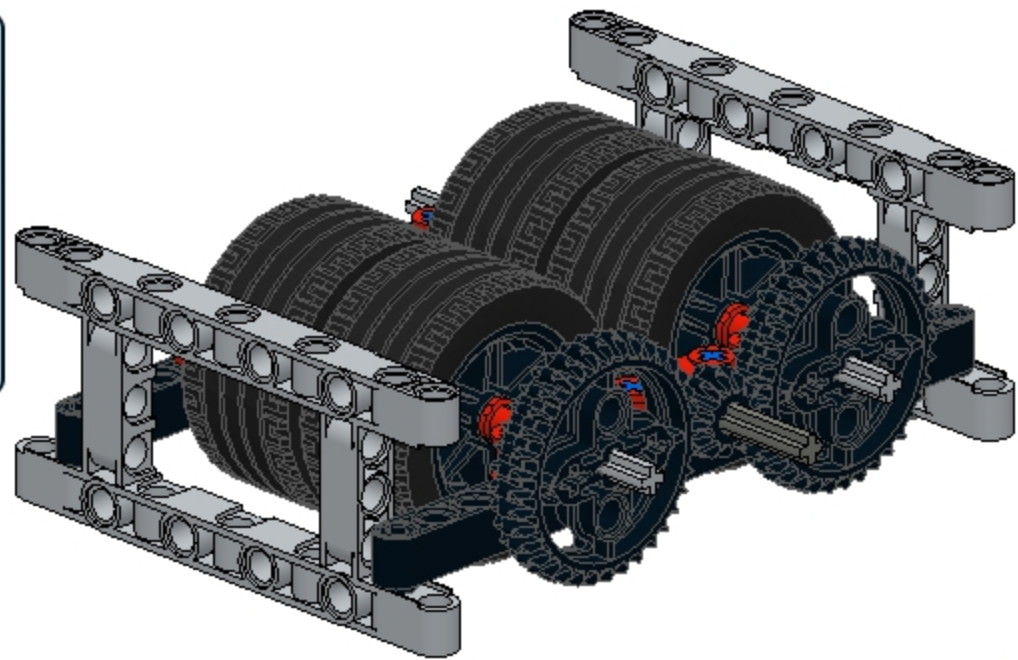
3



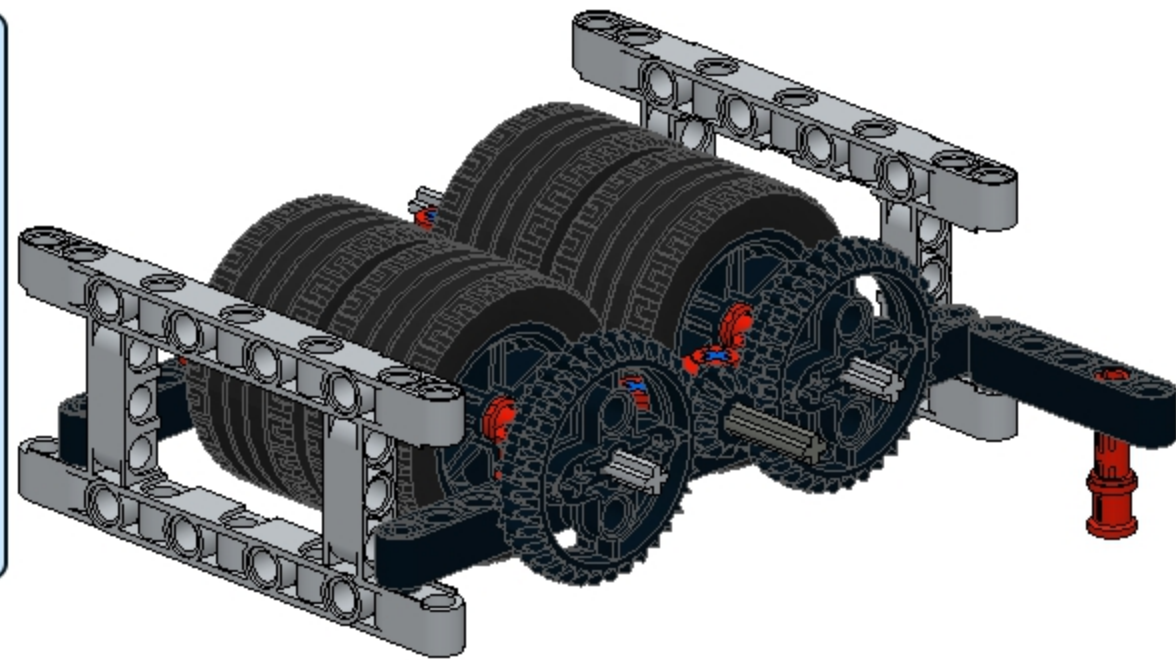
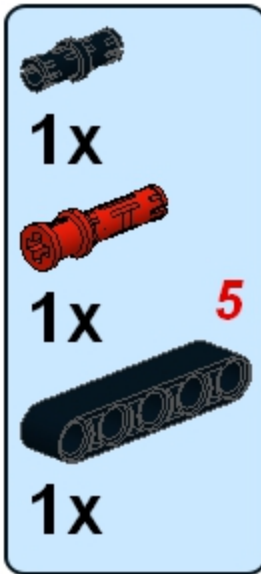
4



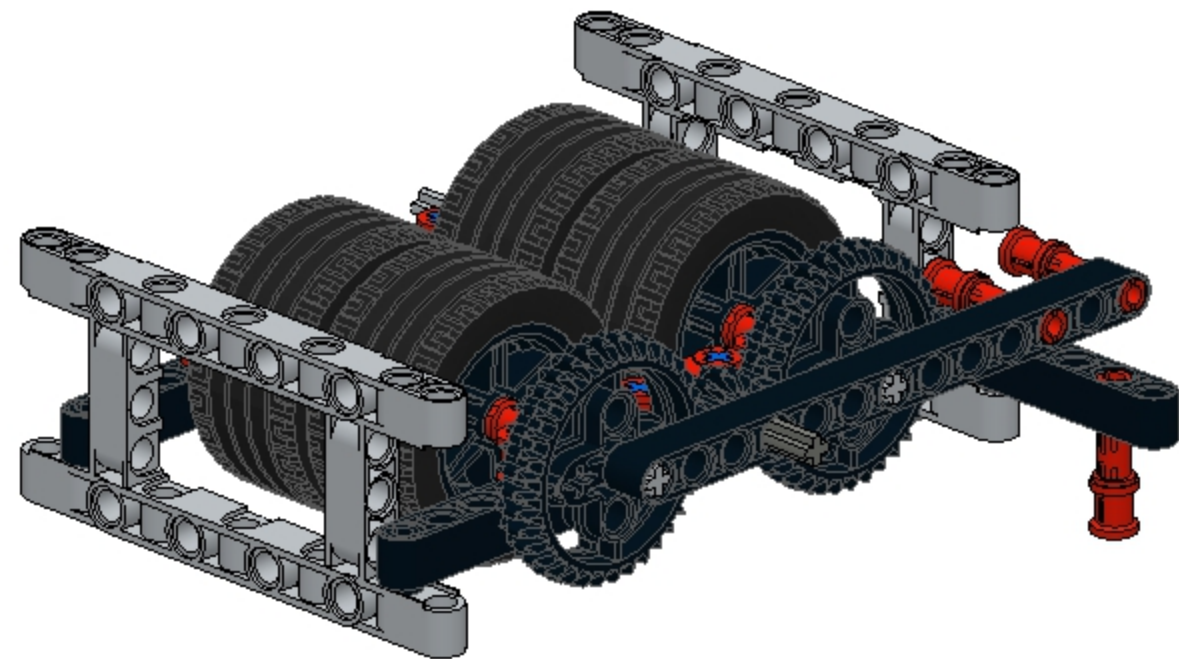
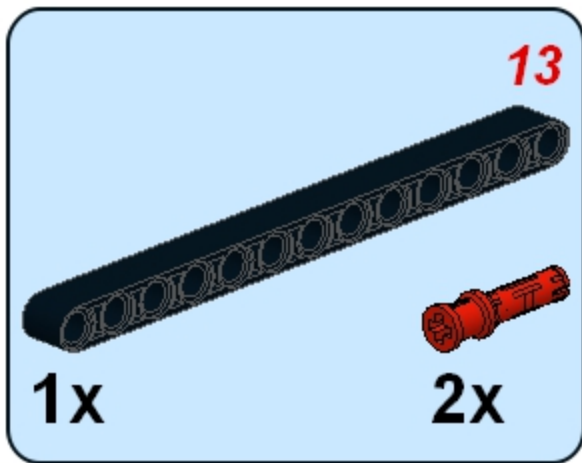
5



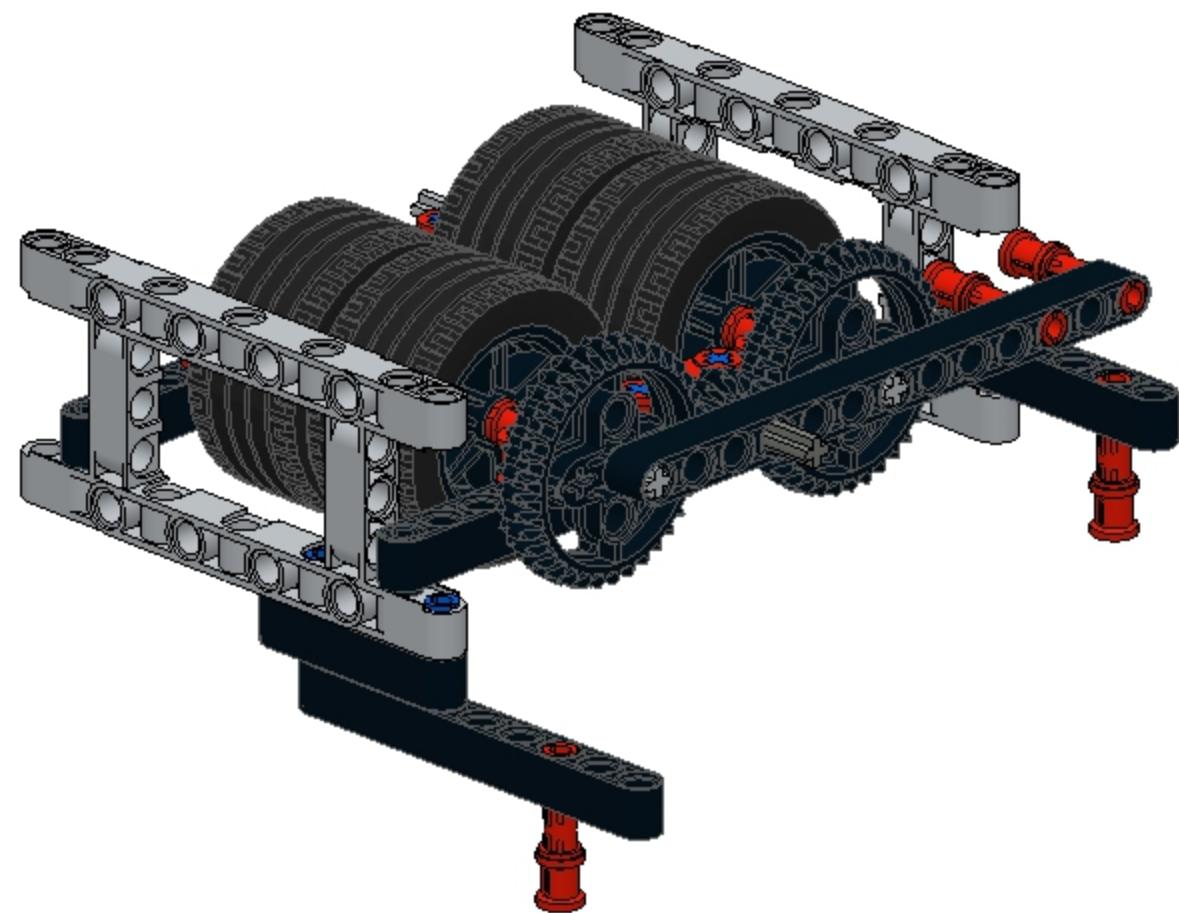
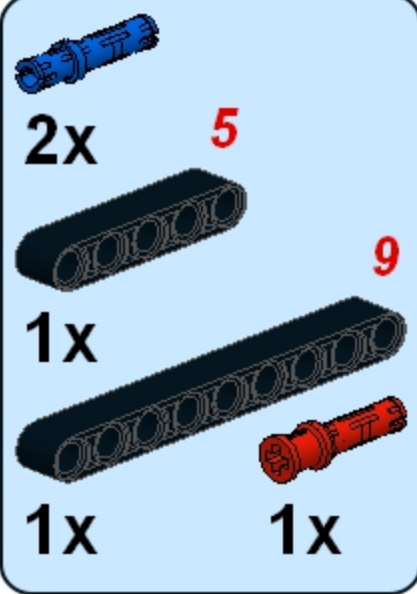
6



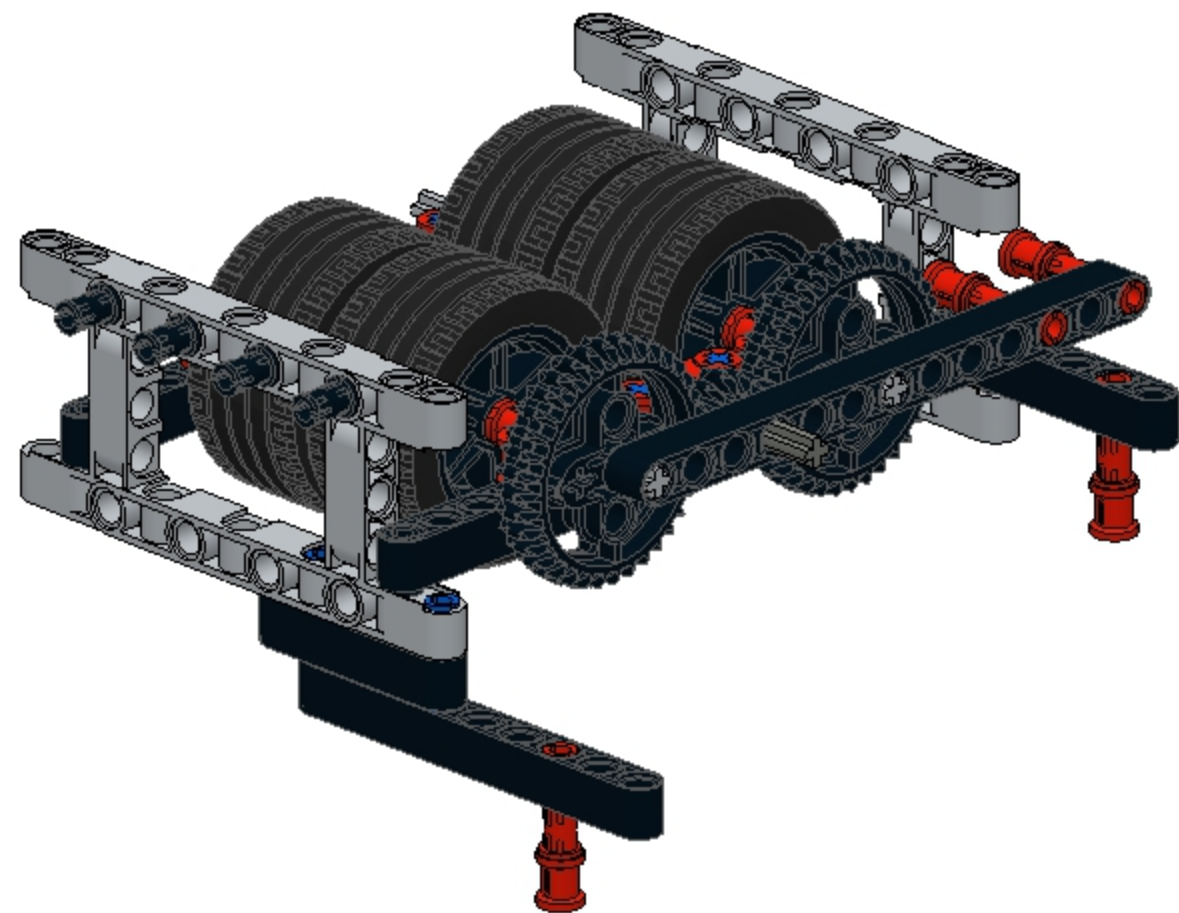
7



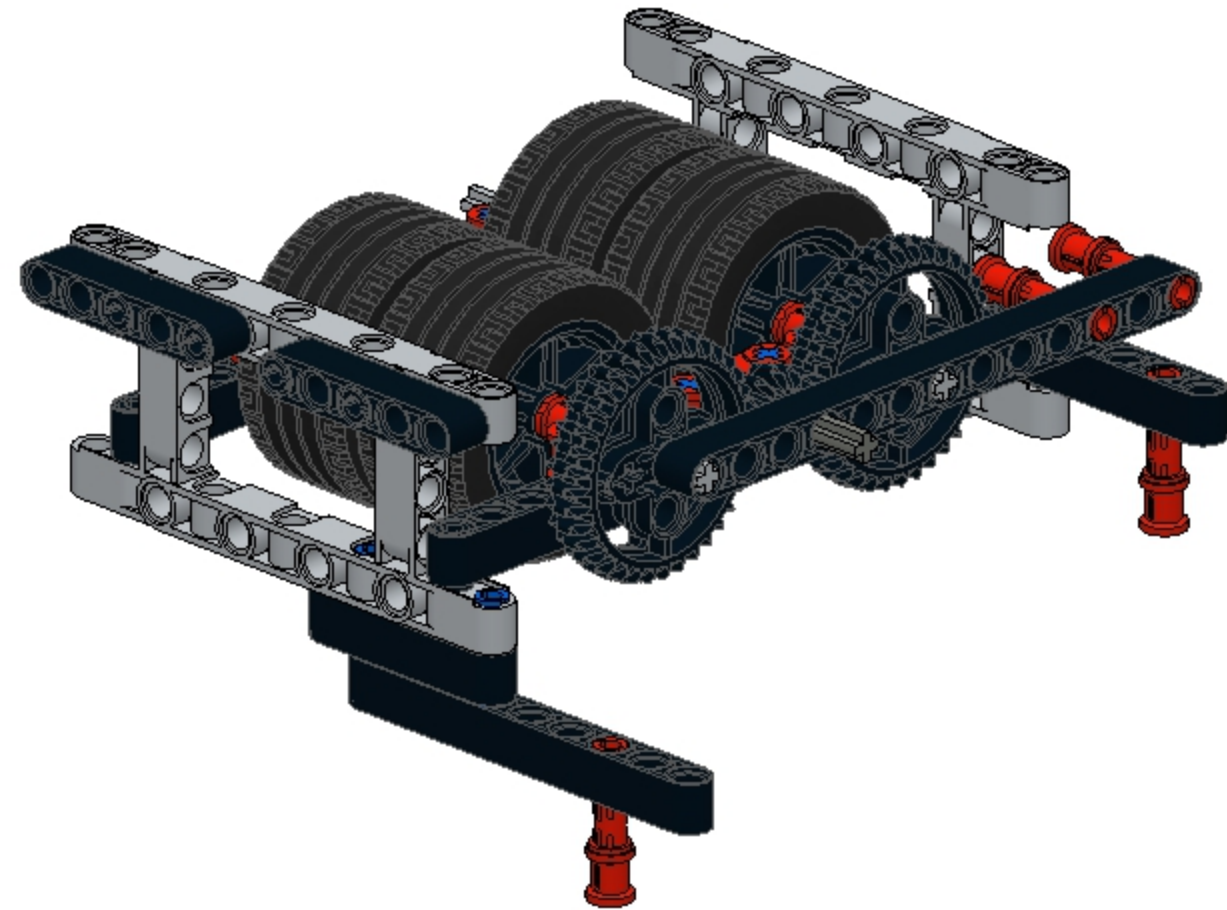
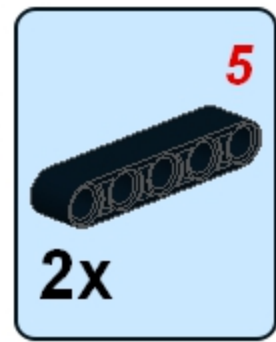
8



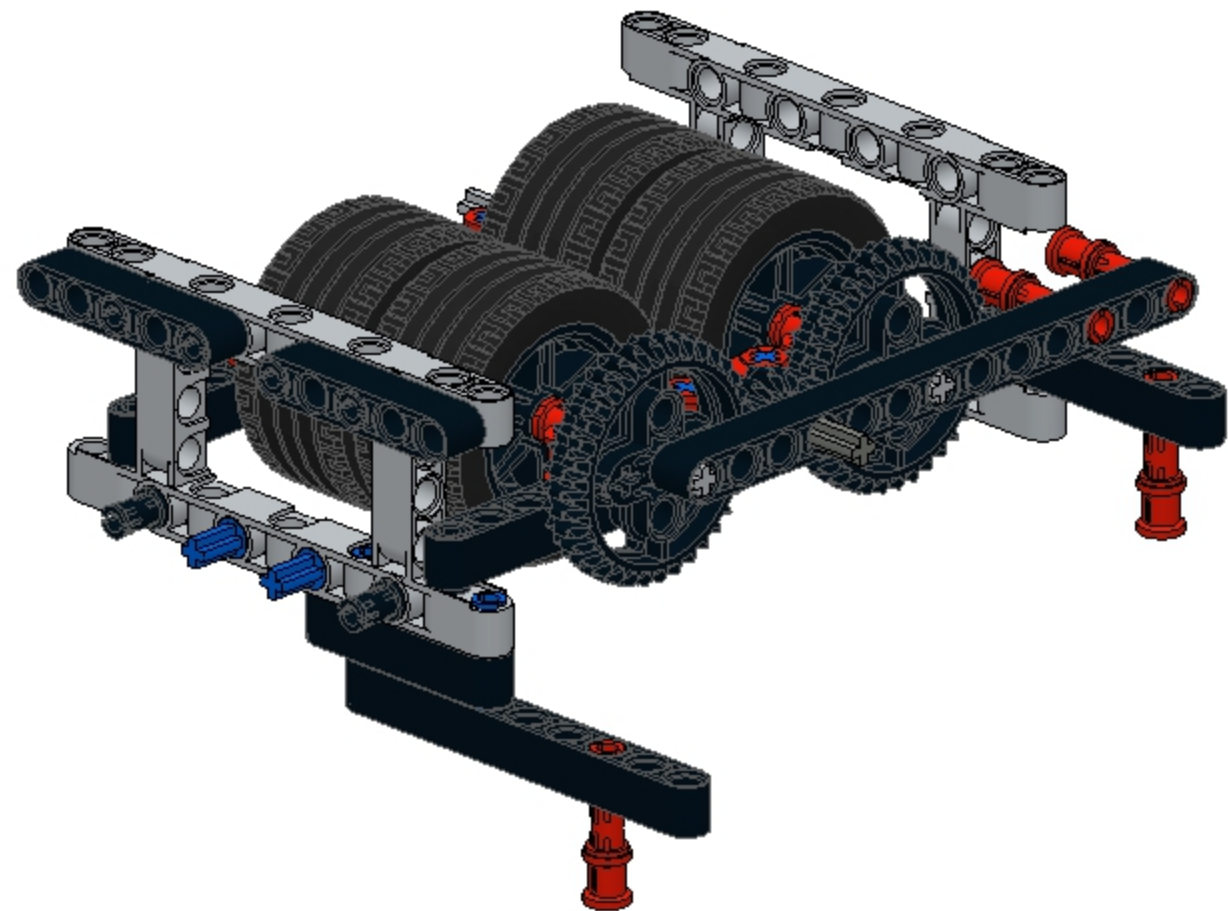
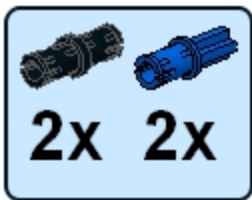
9



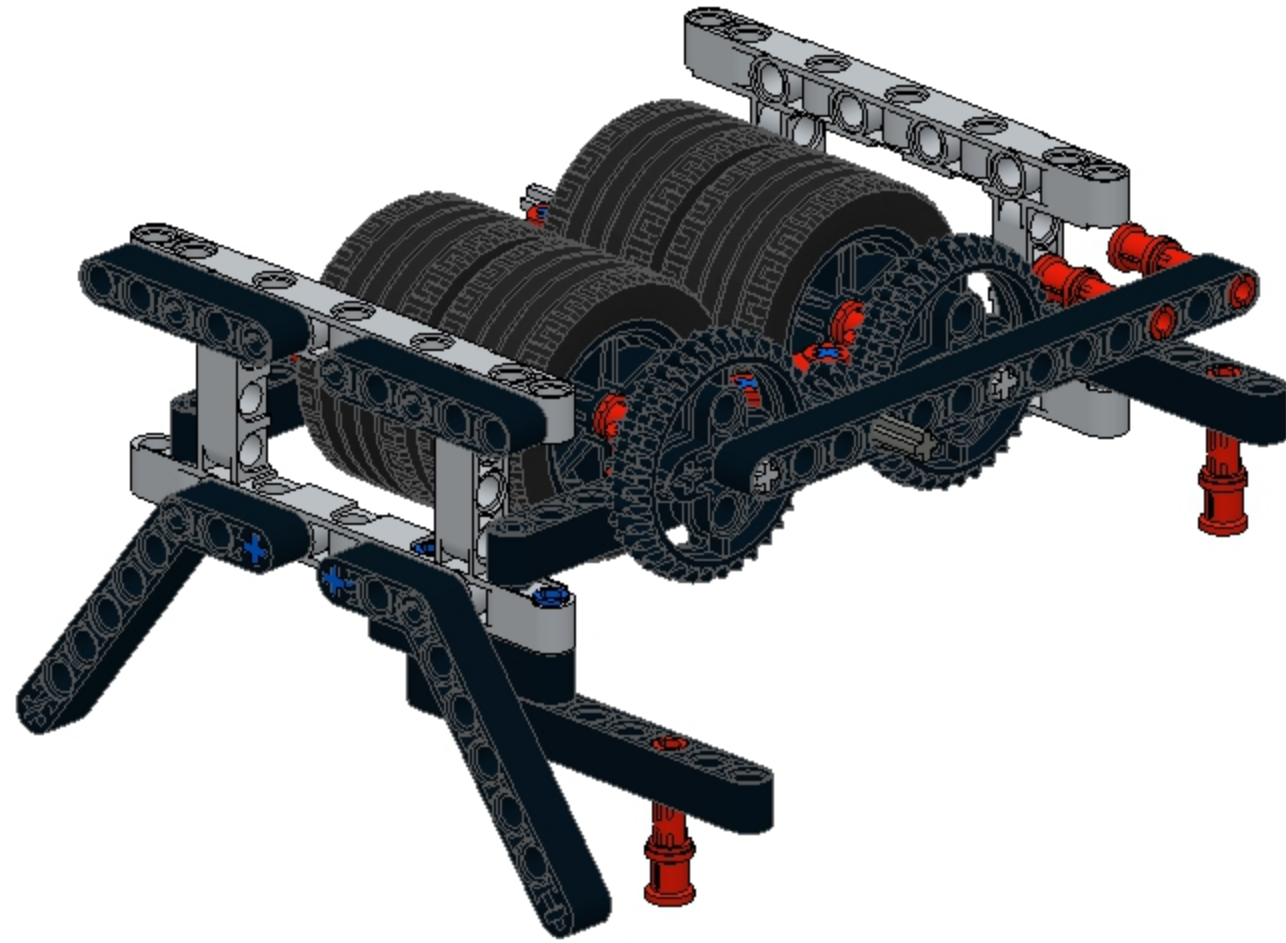
10



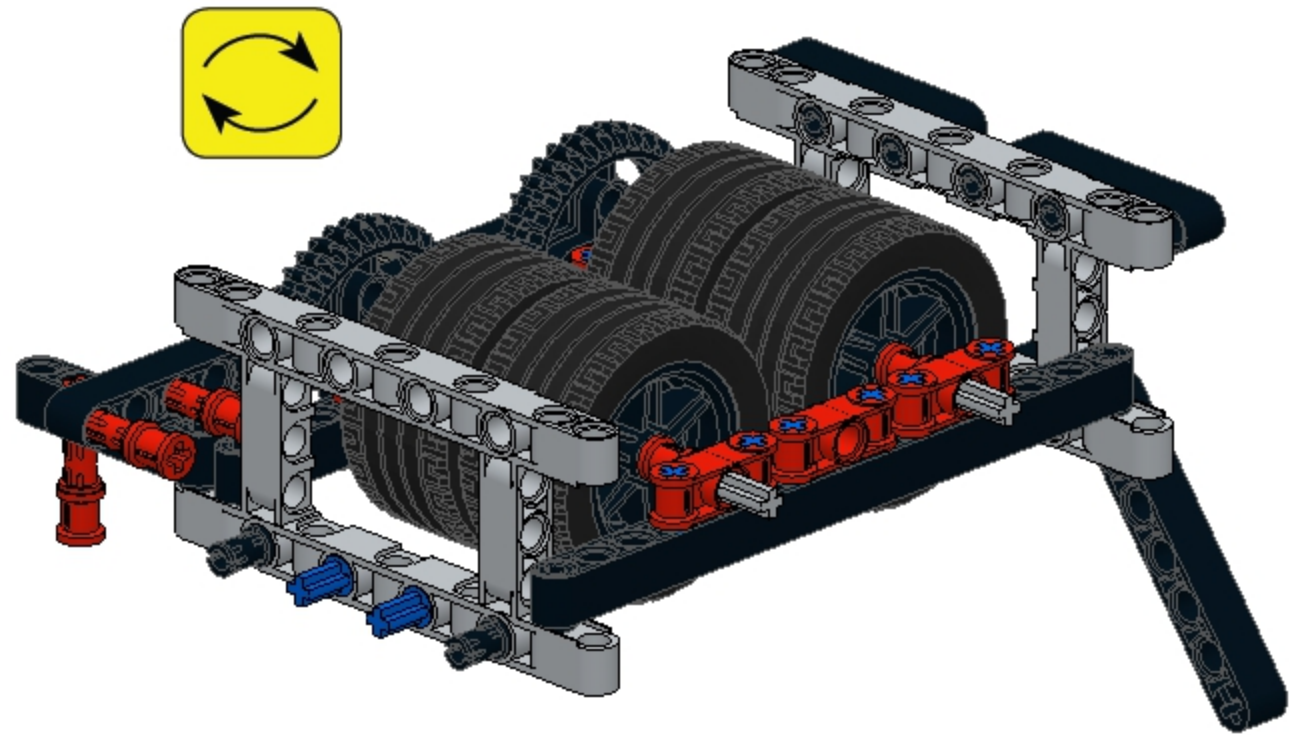
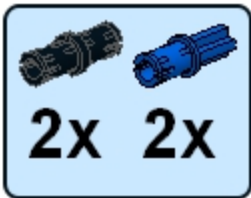
11



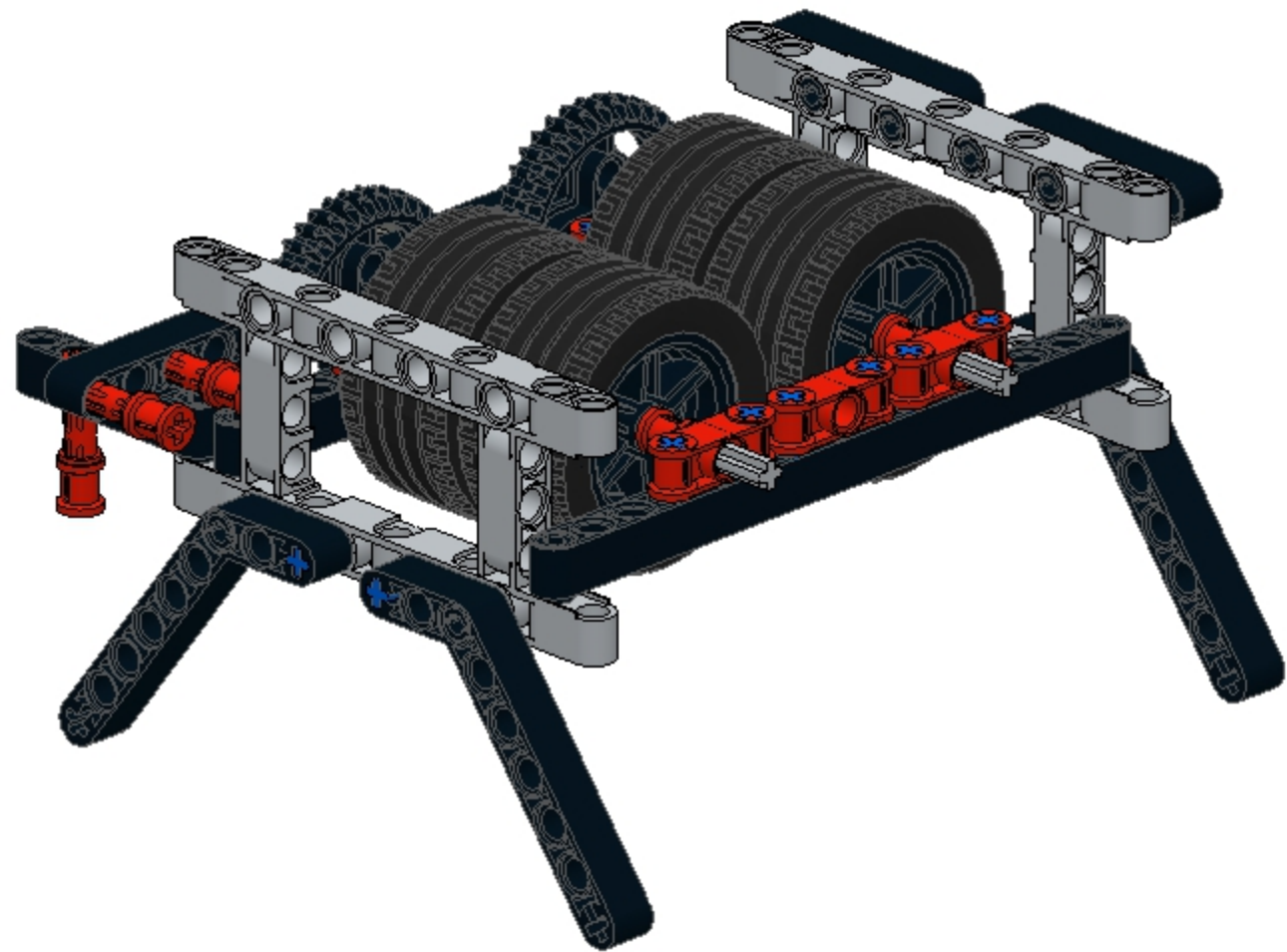
12



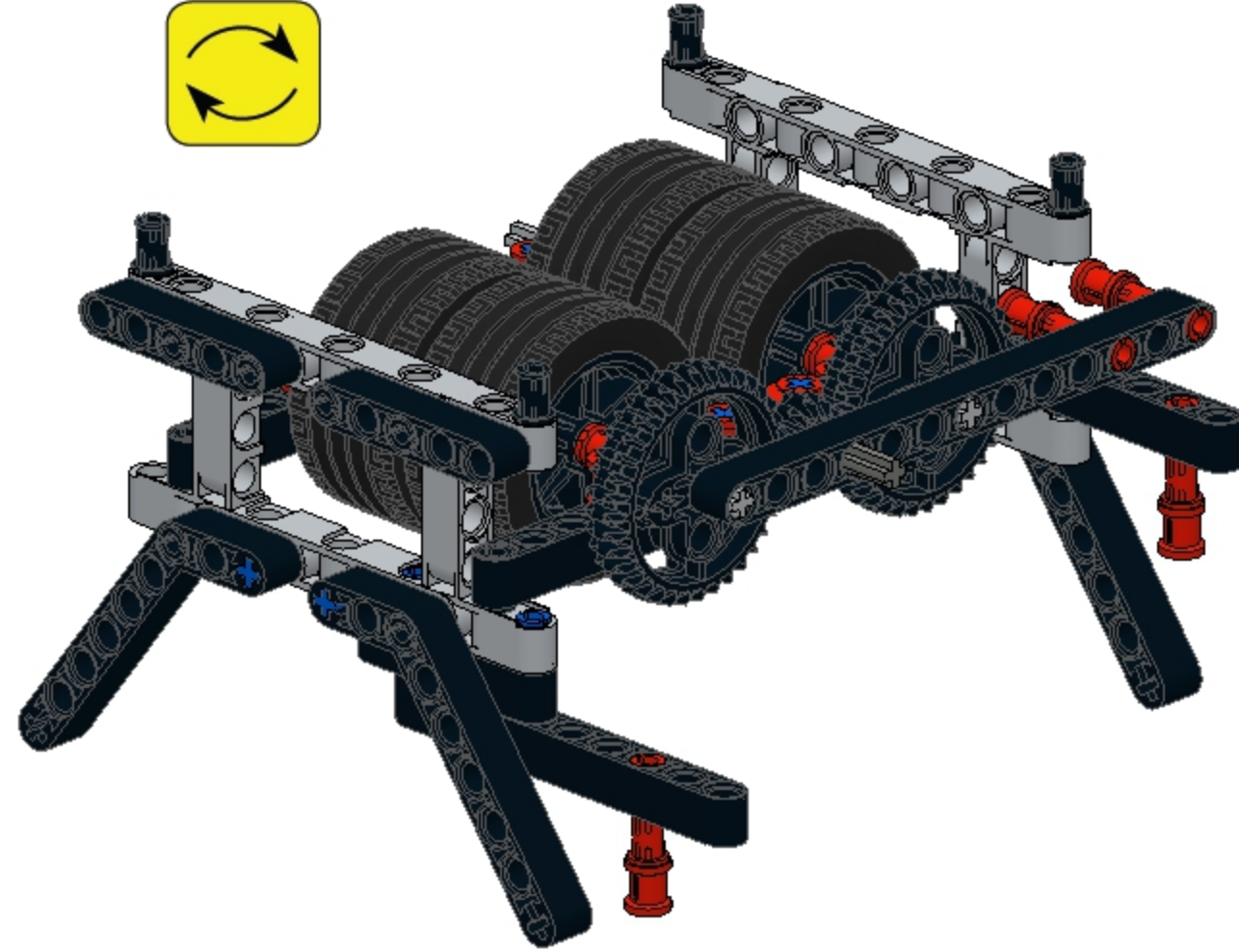
13



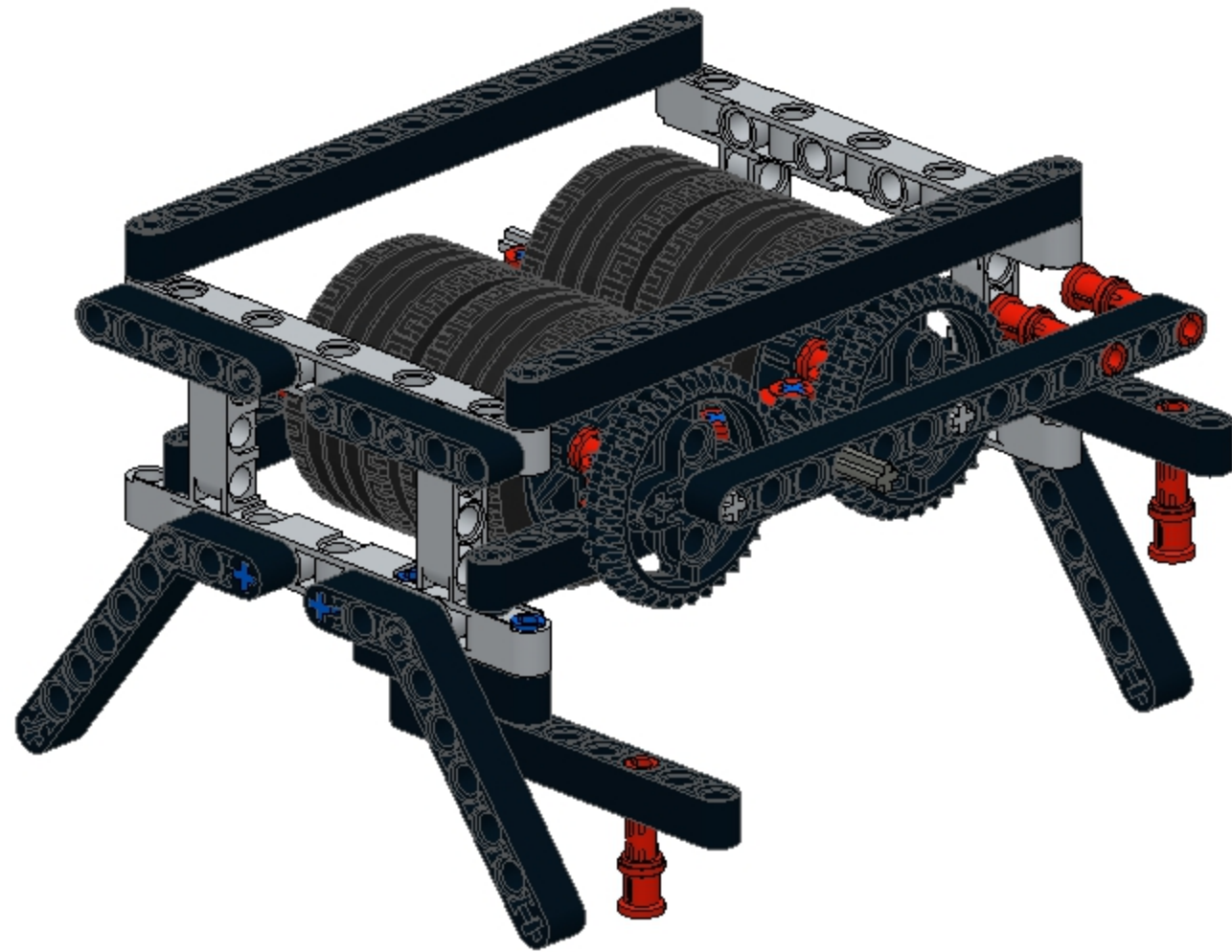
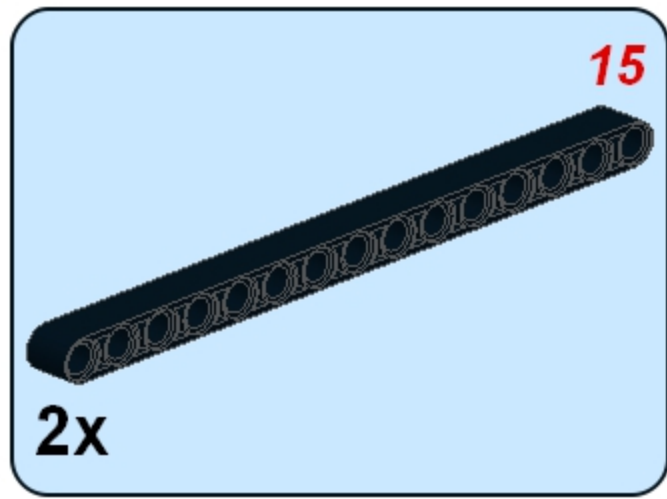
14



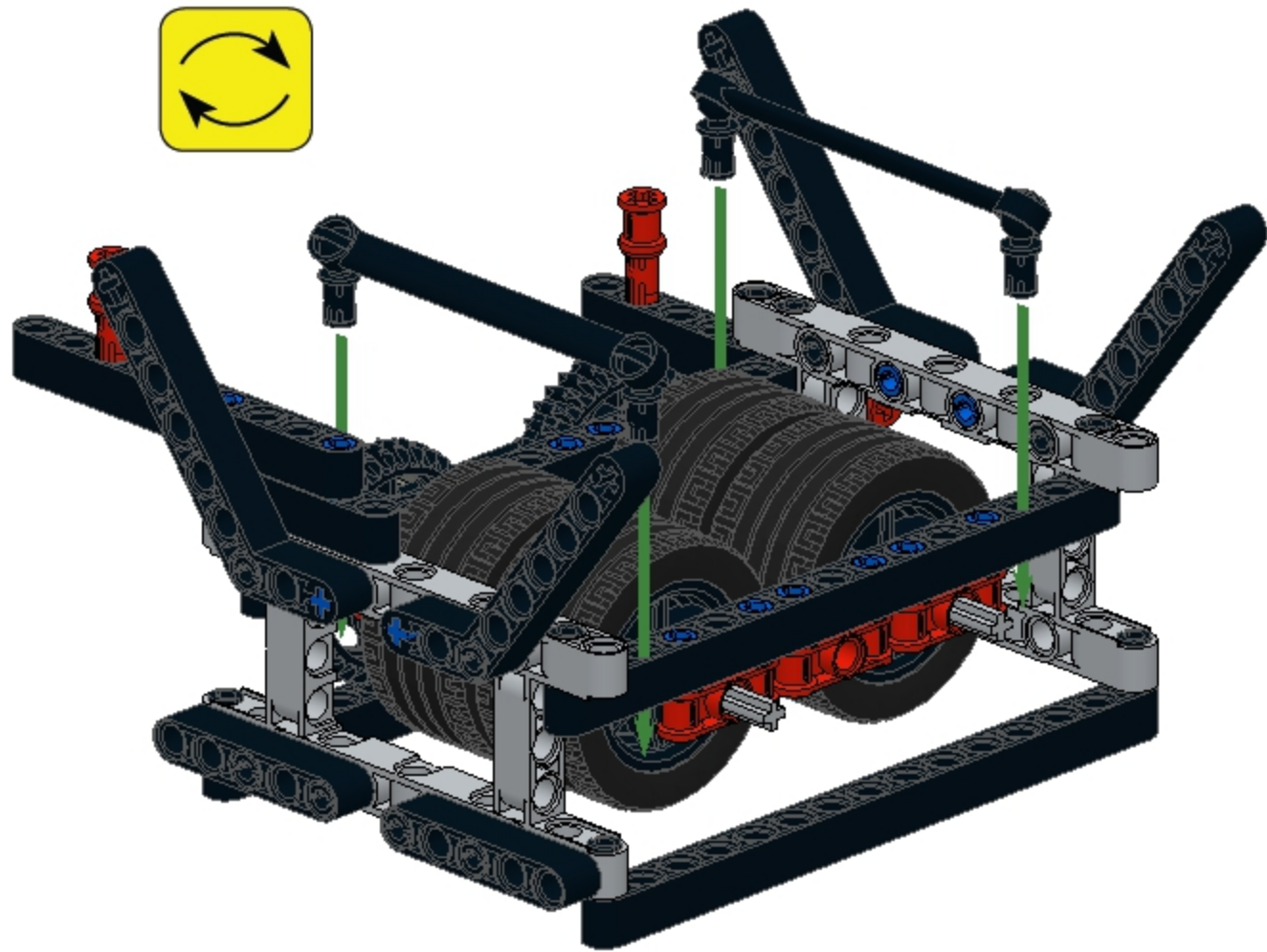
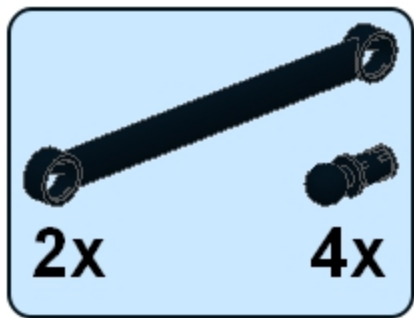
15



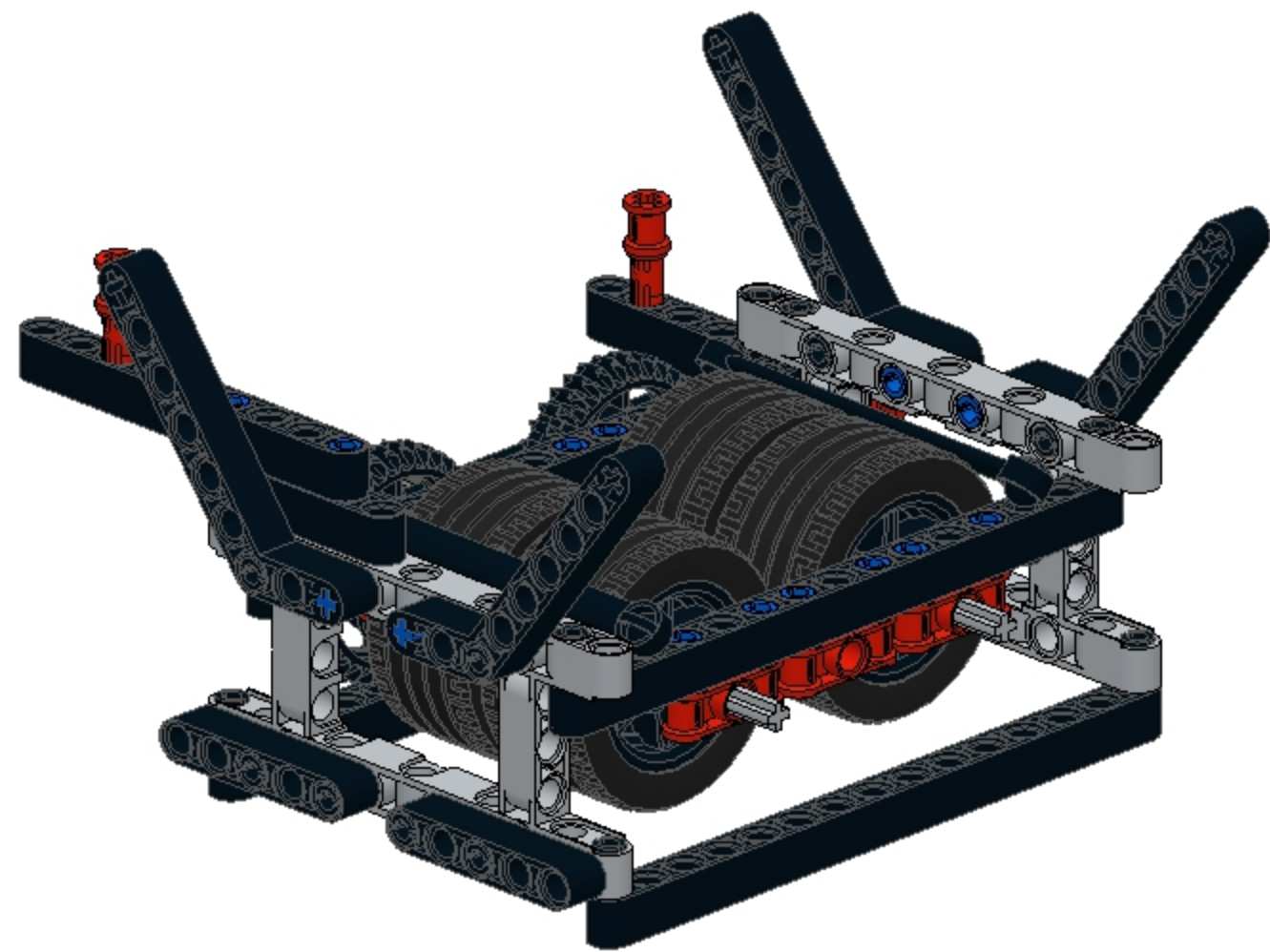
16

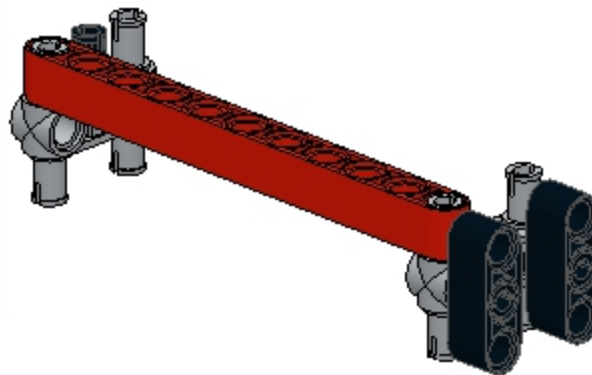
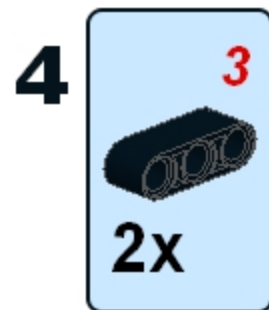
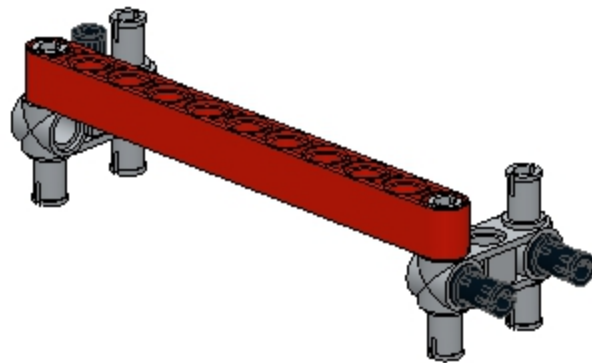
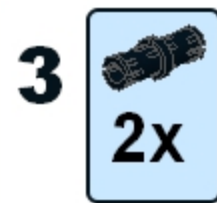
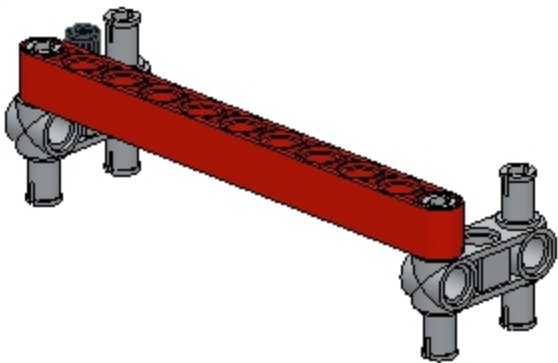
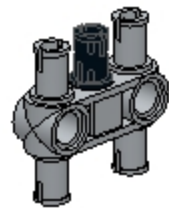
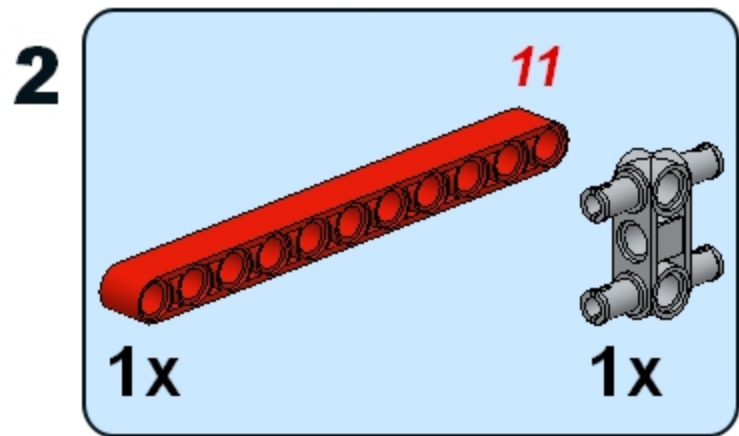
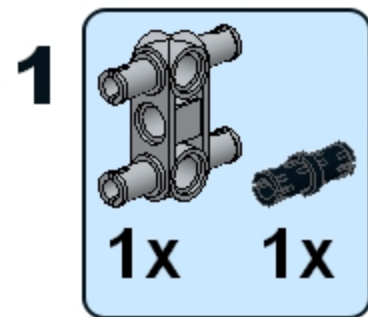


17

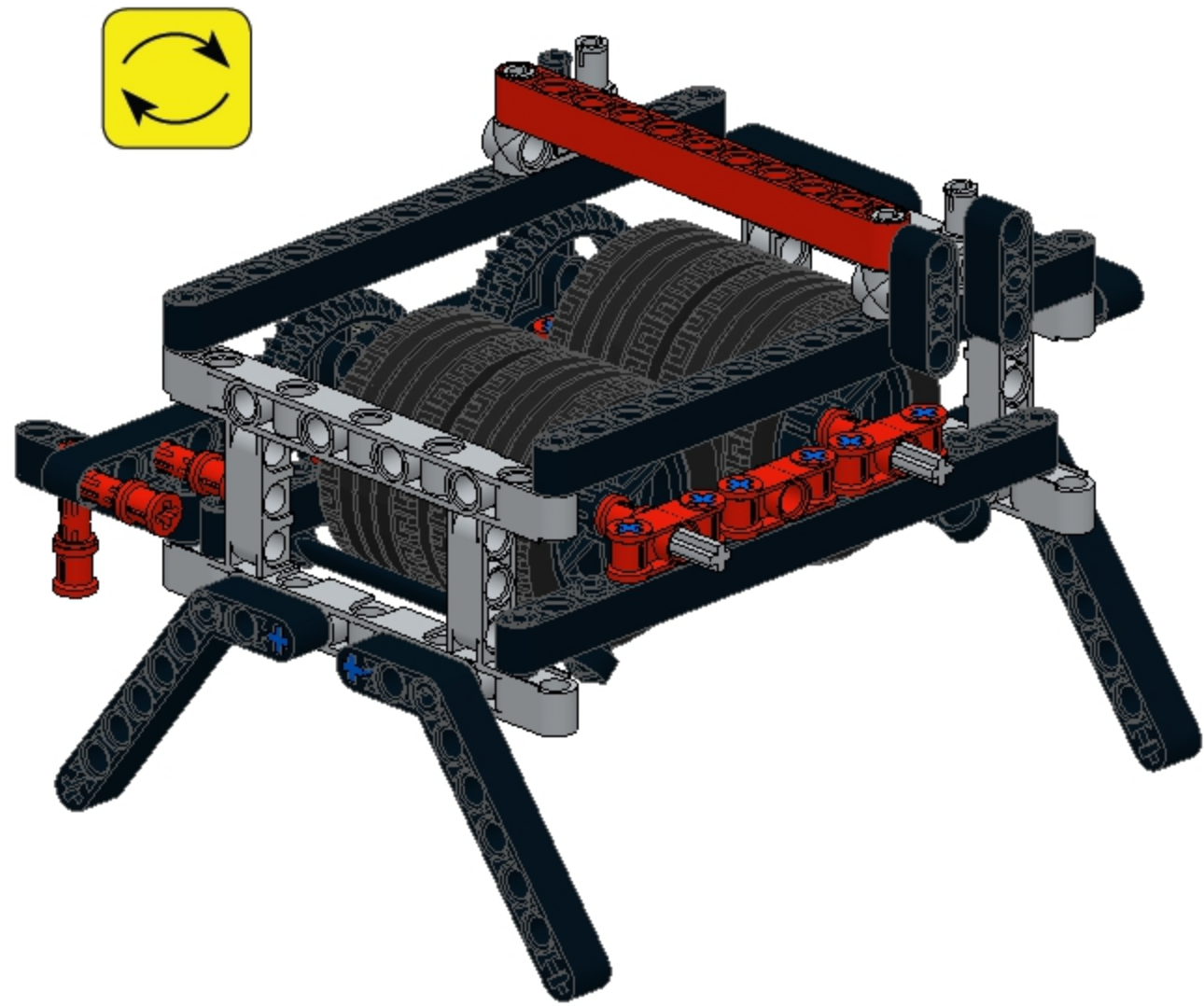


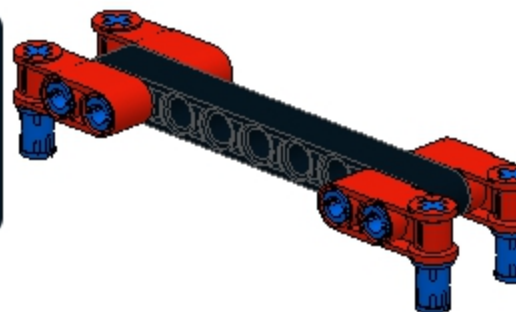
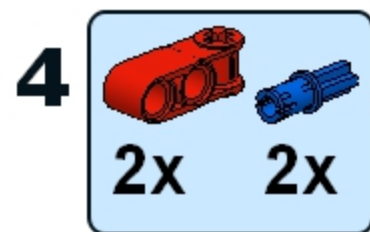
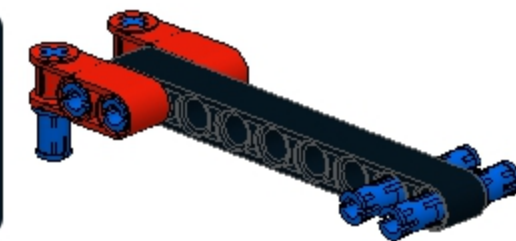
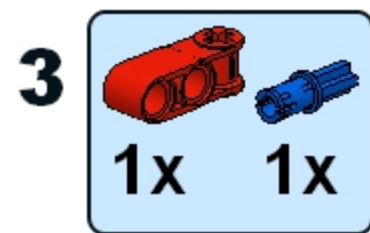
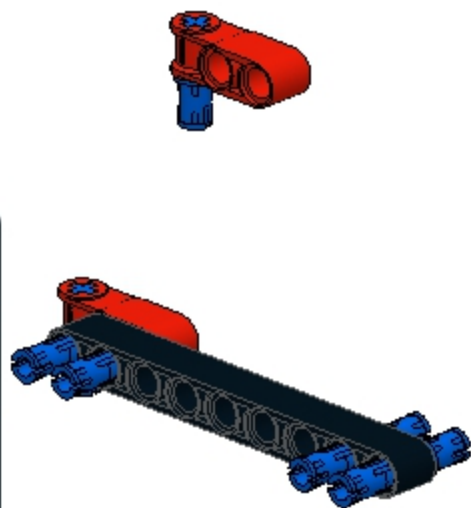
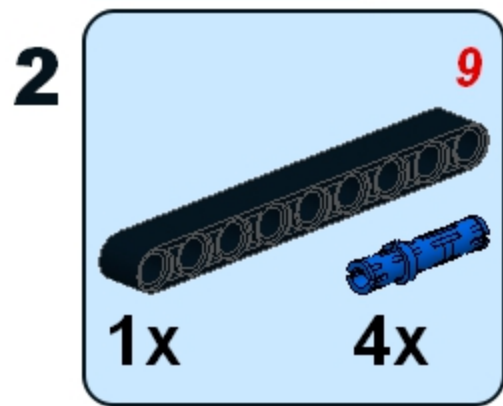
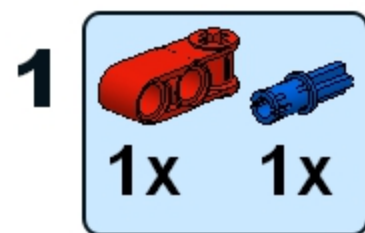
18



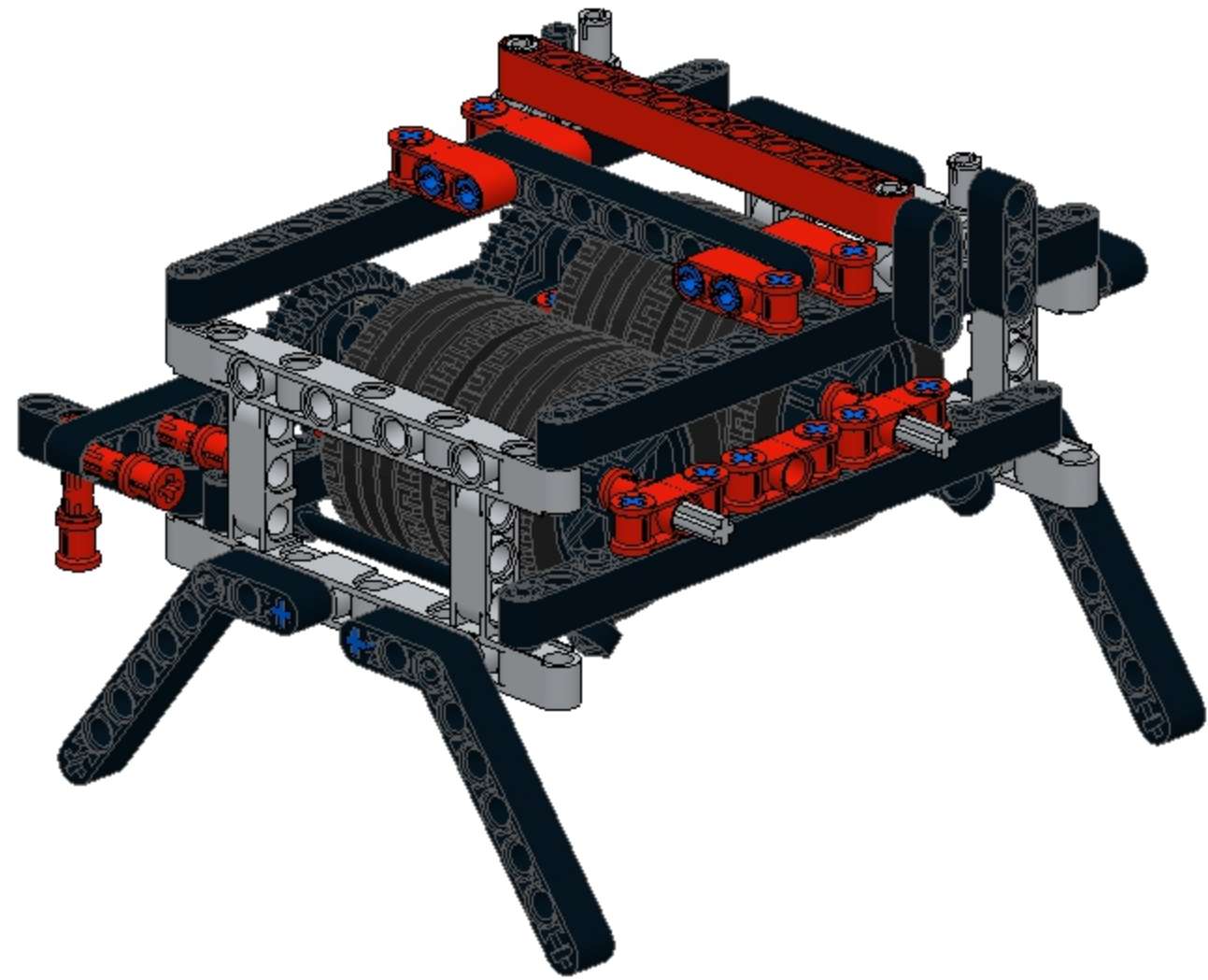


19

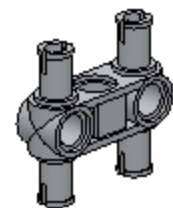
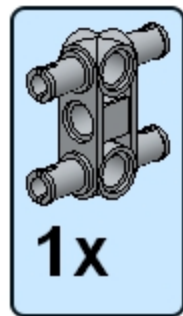




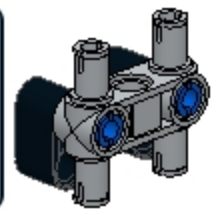
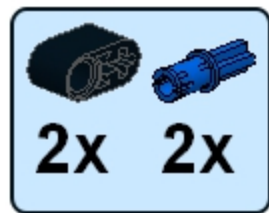
20



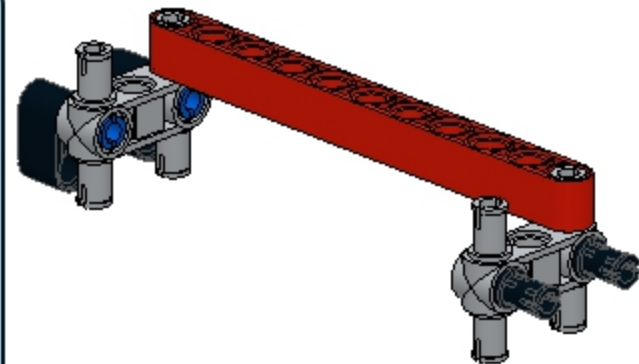
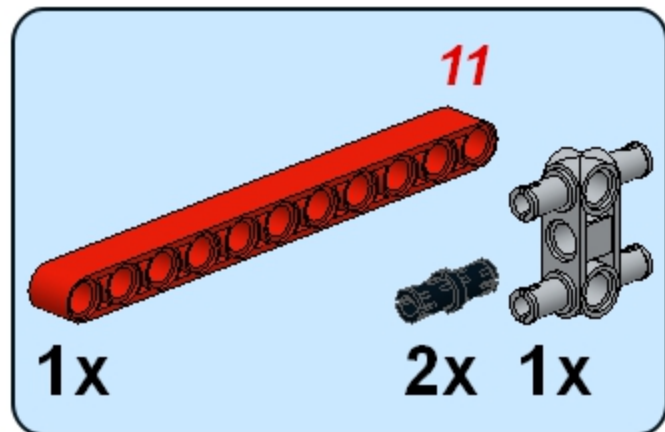
1



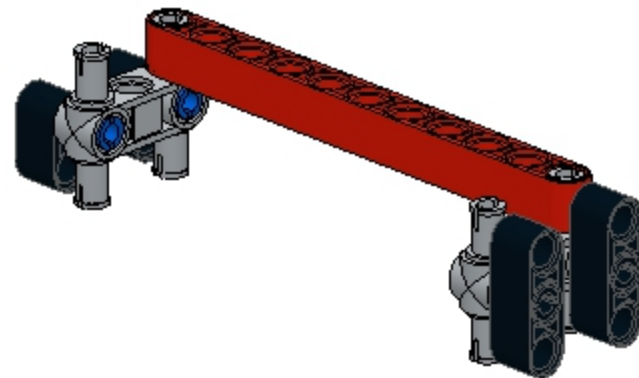
2



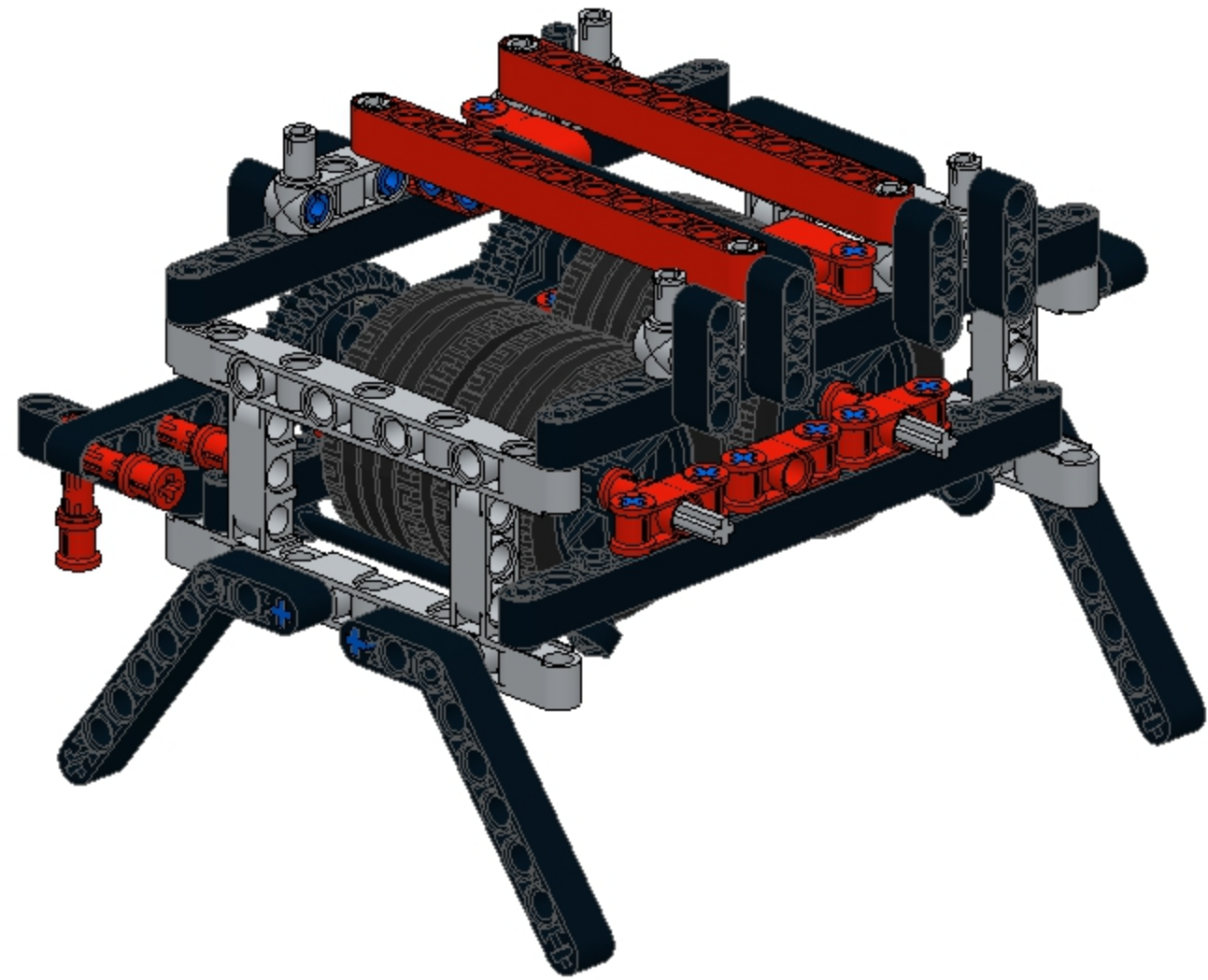
3



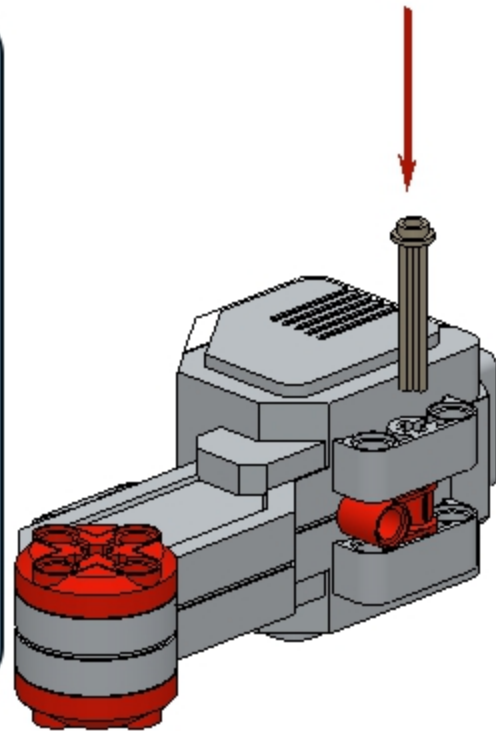
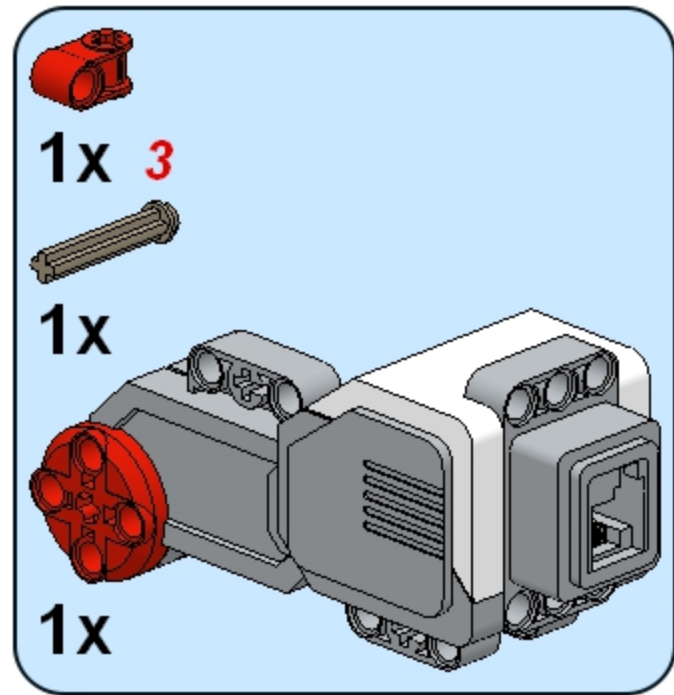
4



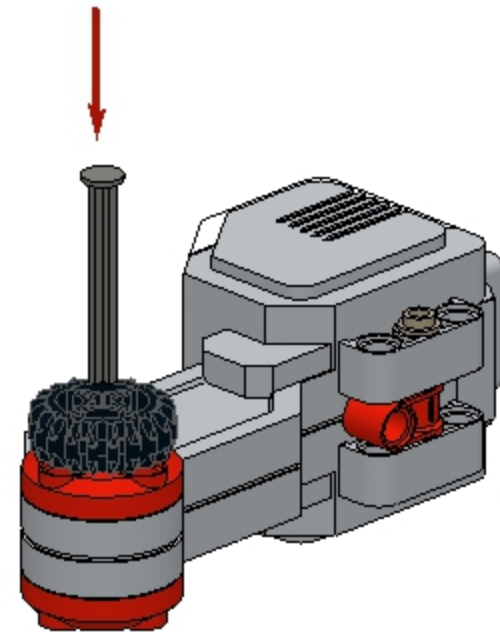
21



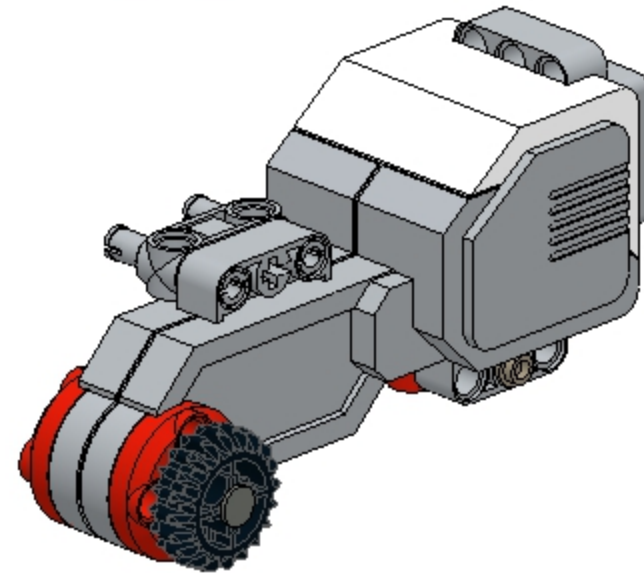
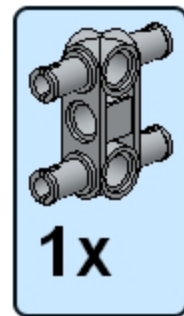
1



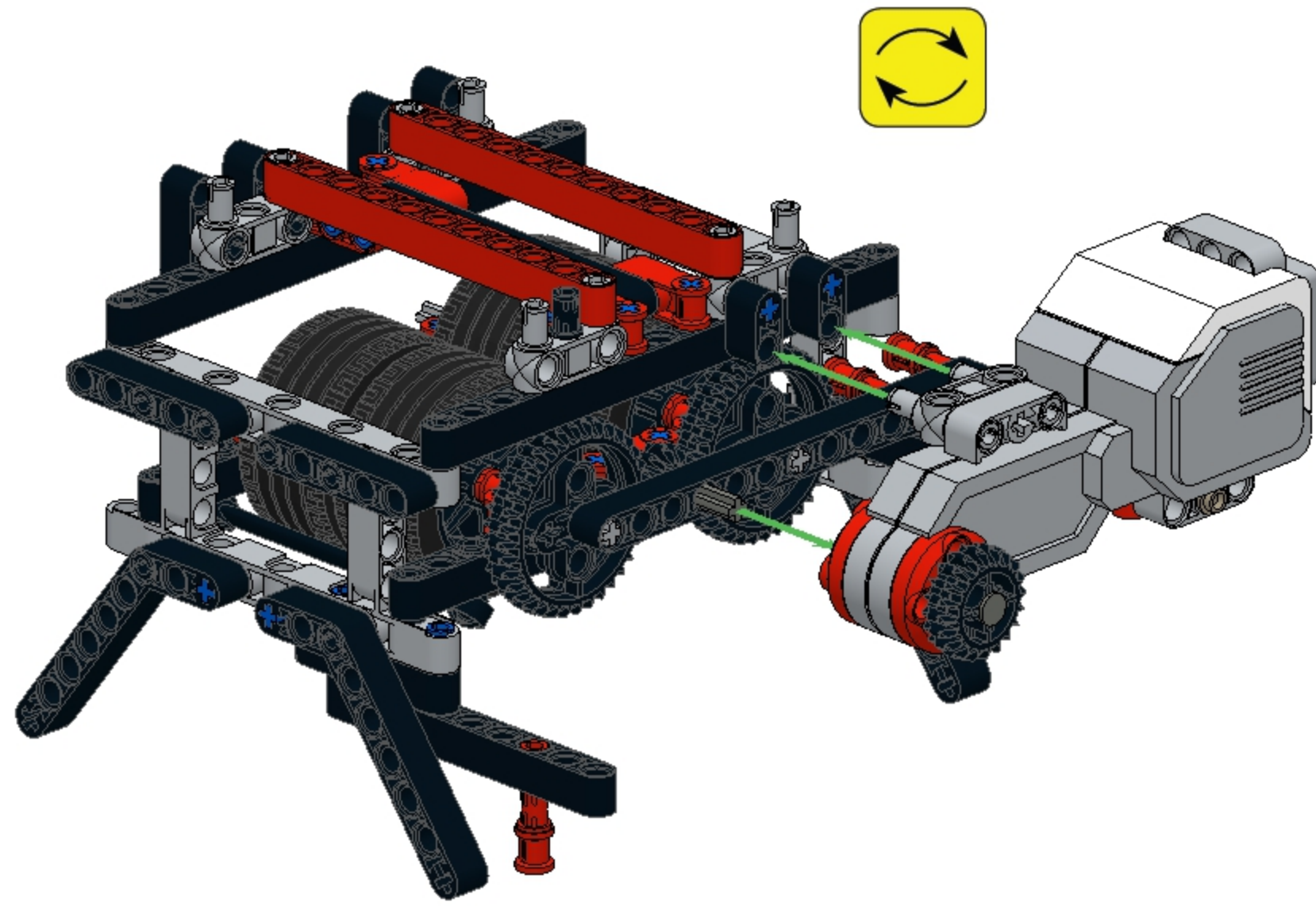
2



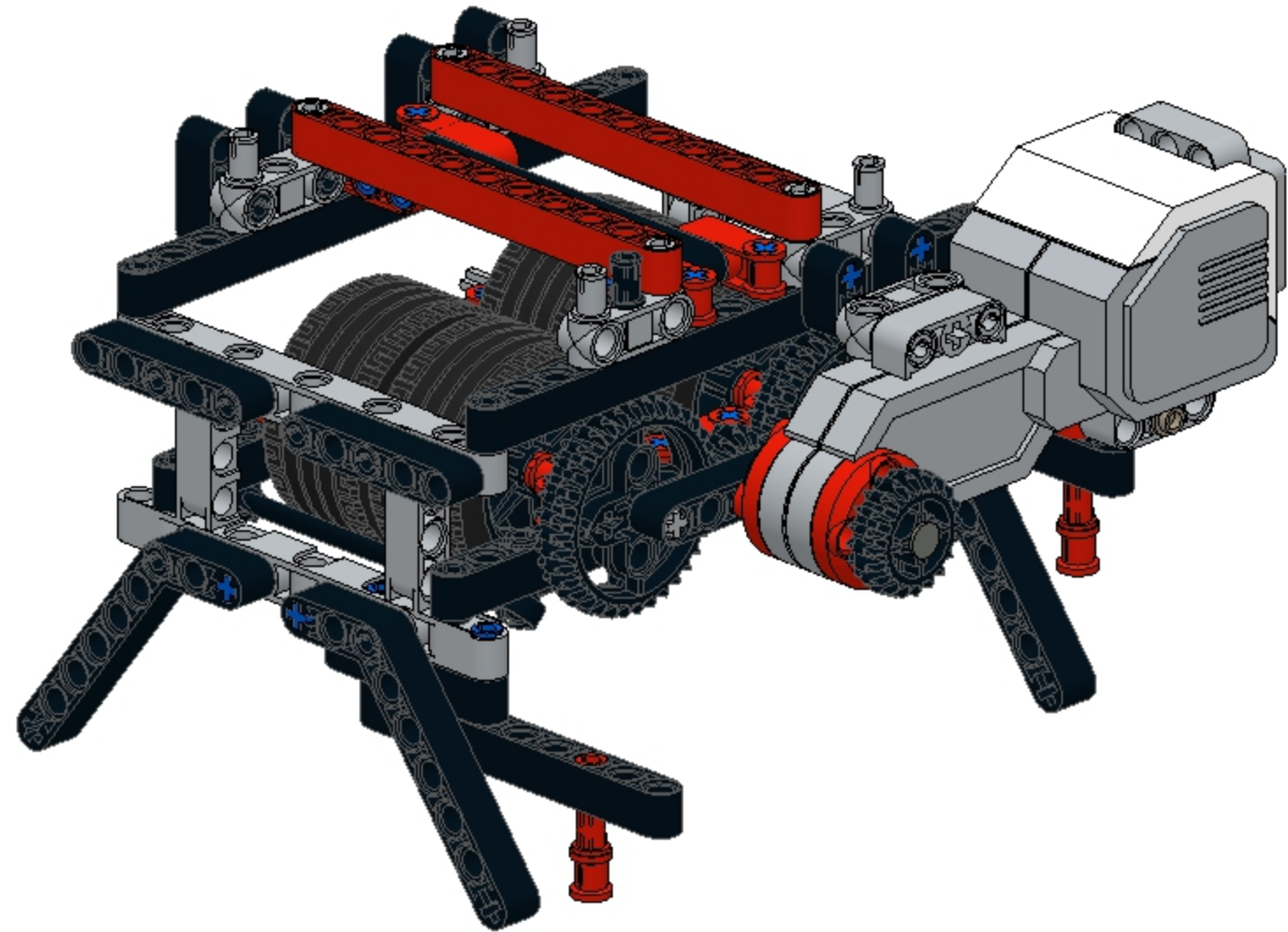
3



22



23



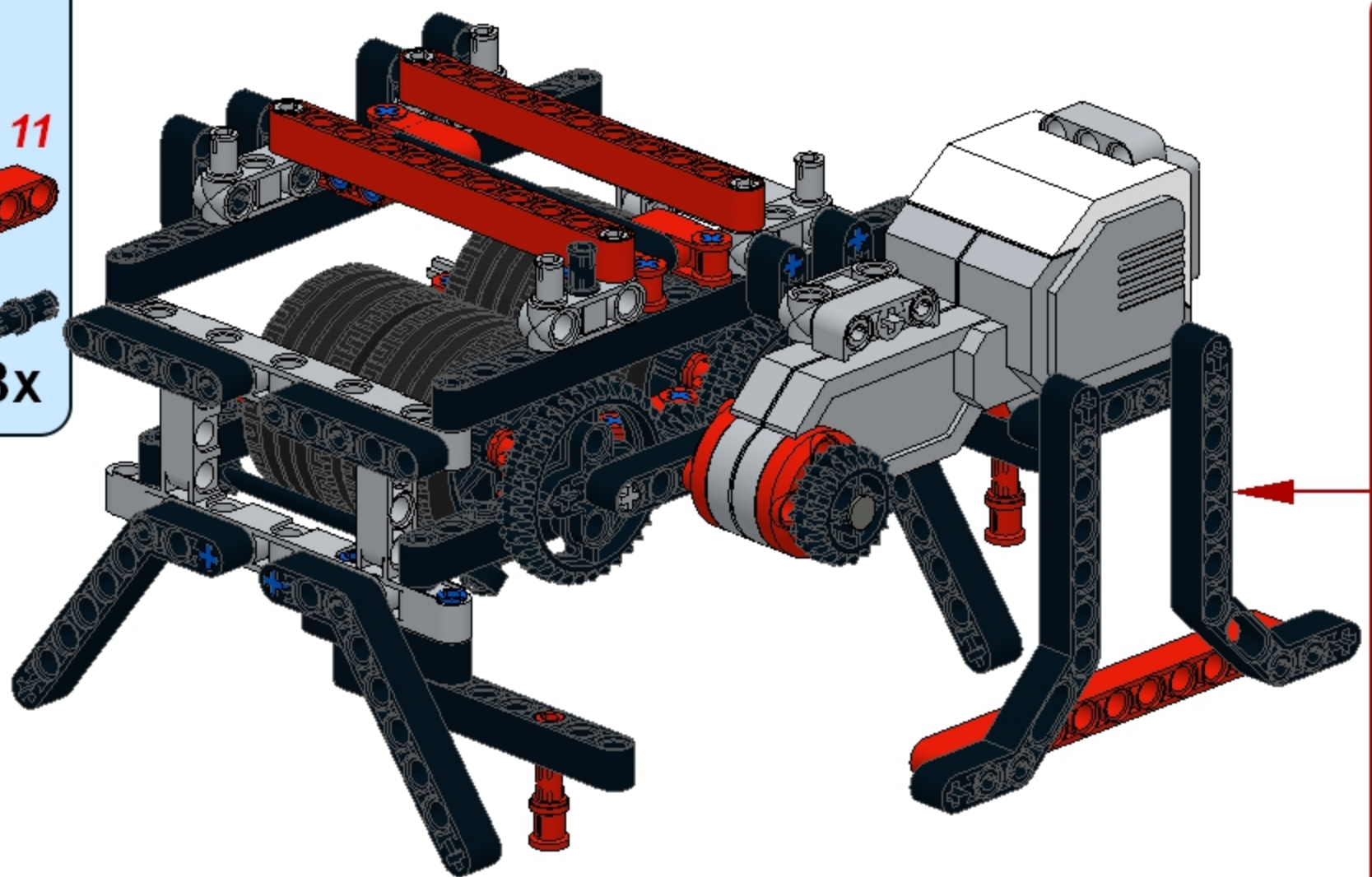
24

1x ⁵

2x ¹¹

1x

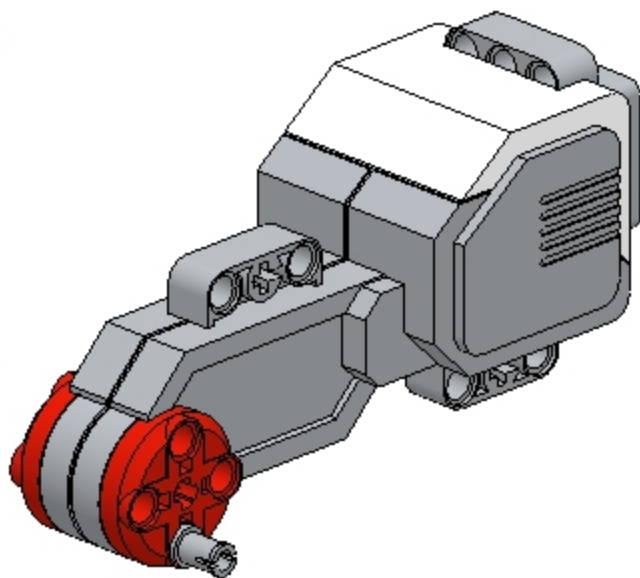
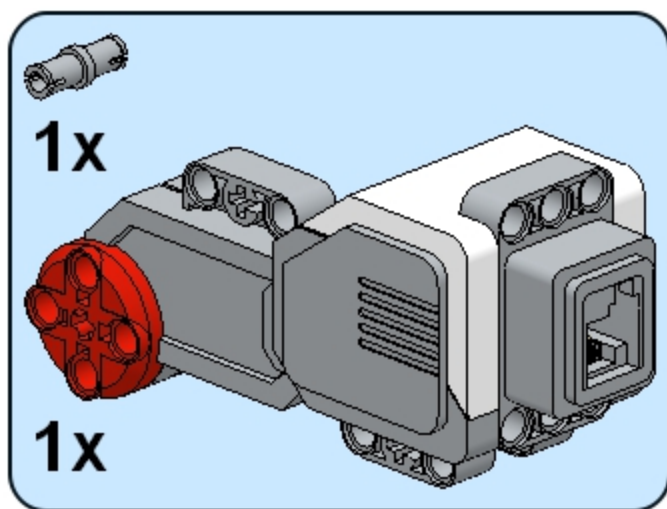
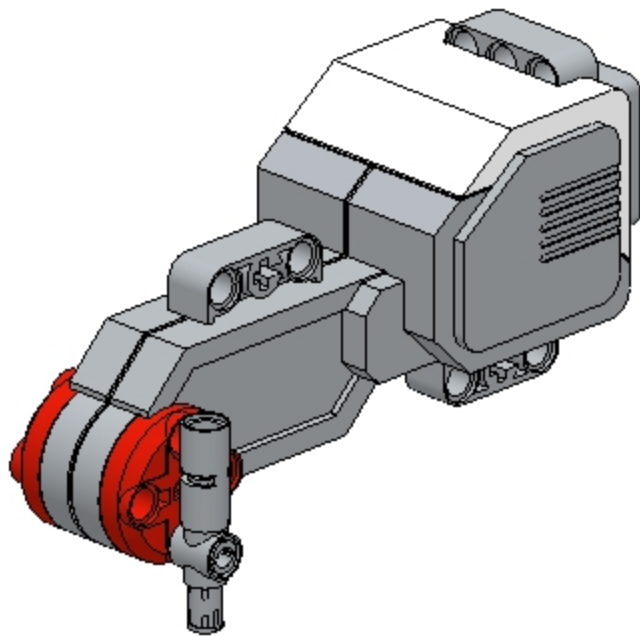
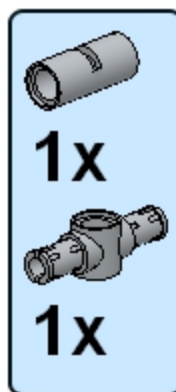
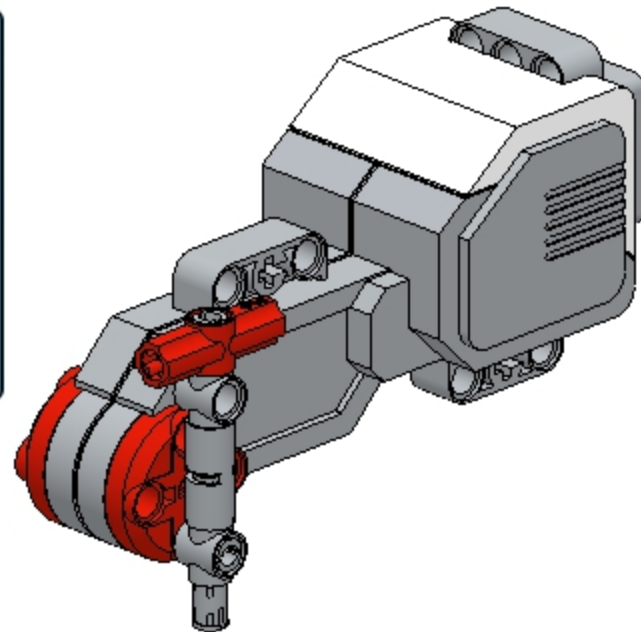
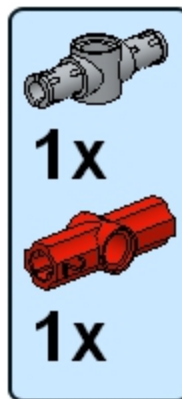
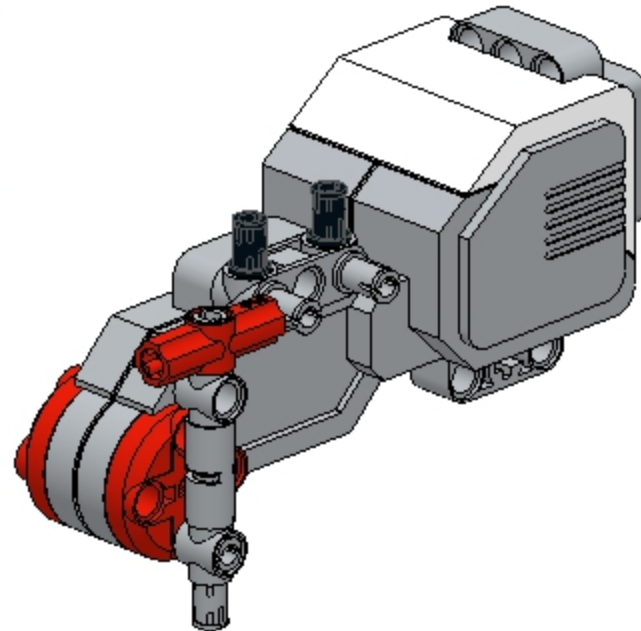
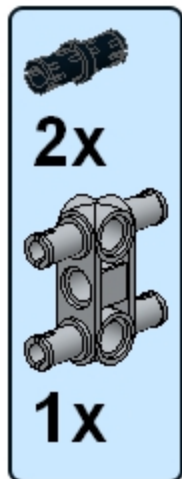
8x



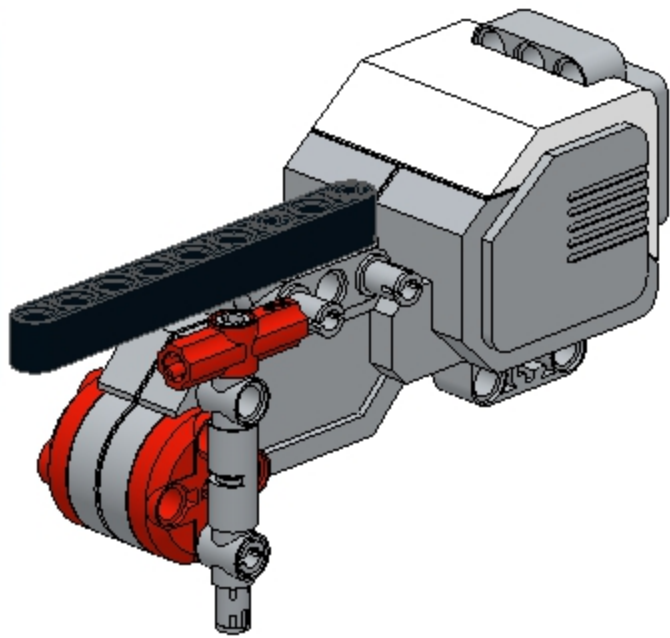
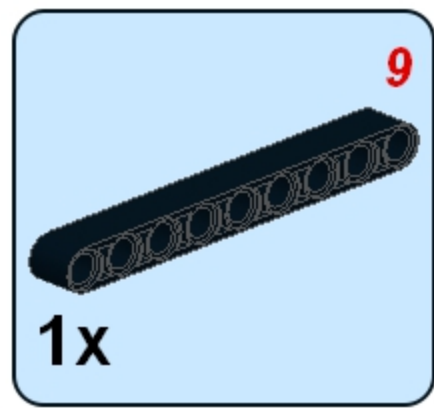
1

2

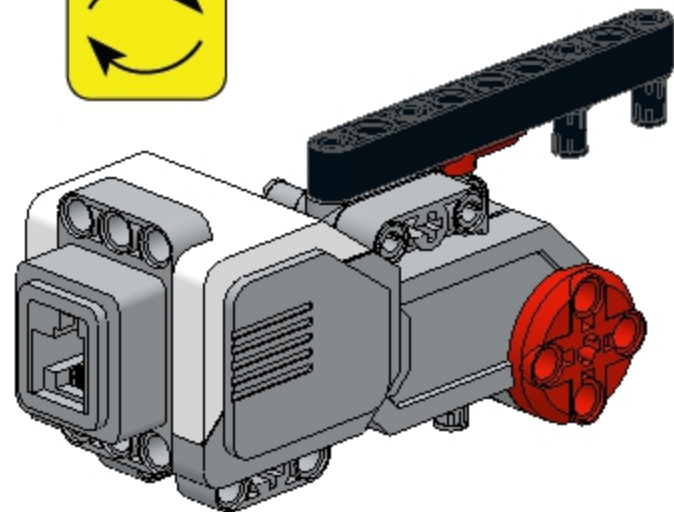
3

1**2****3****4**

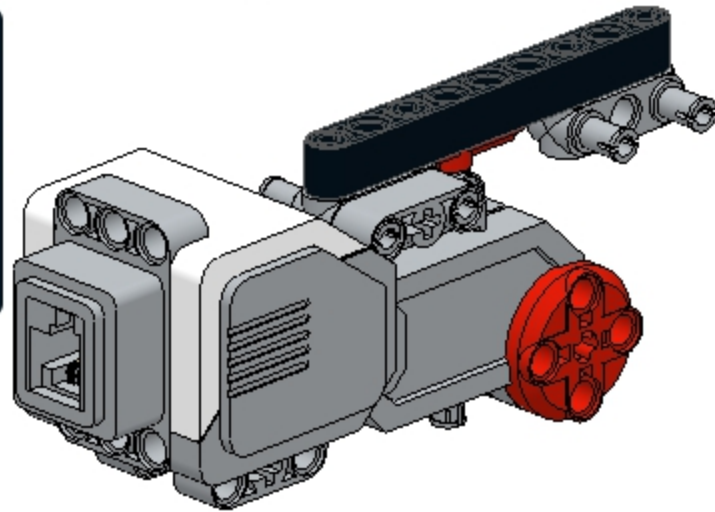
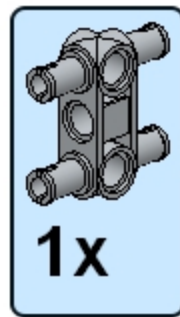
5



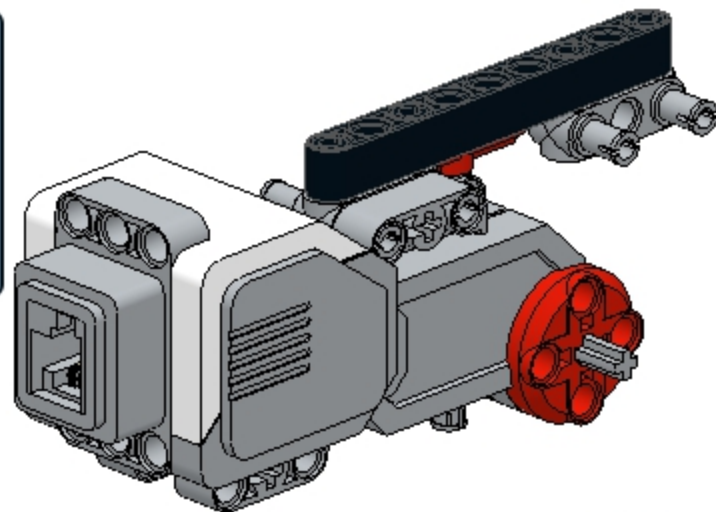
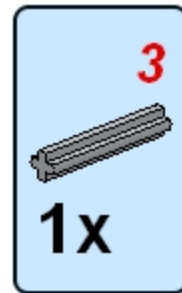
6



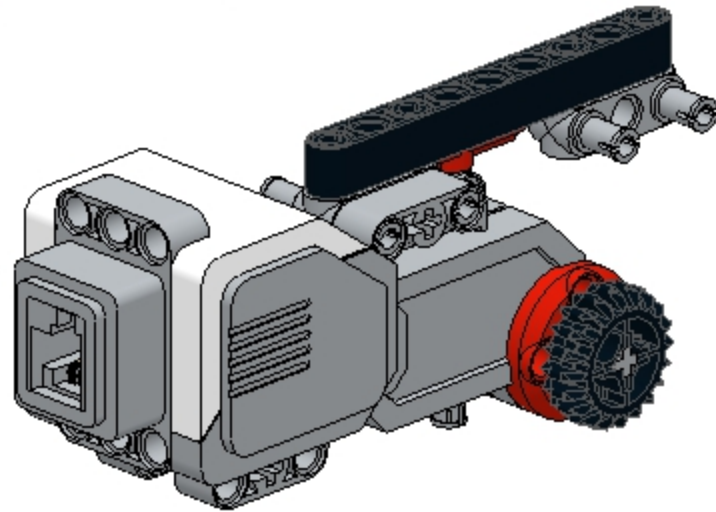
7



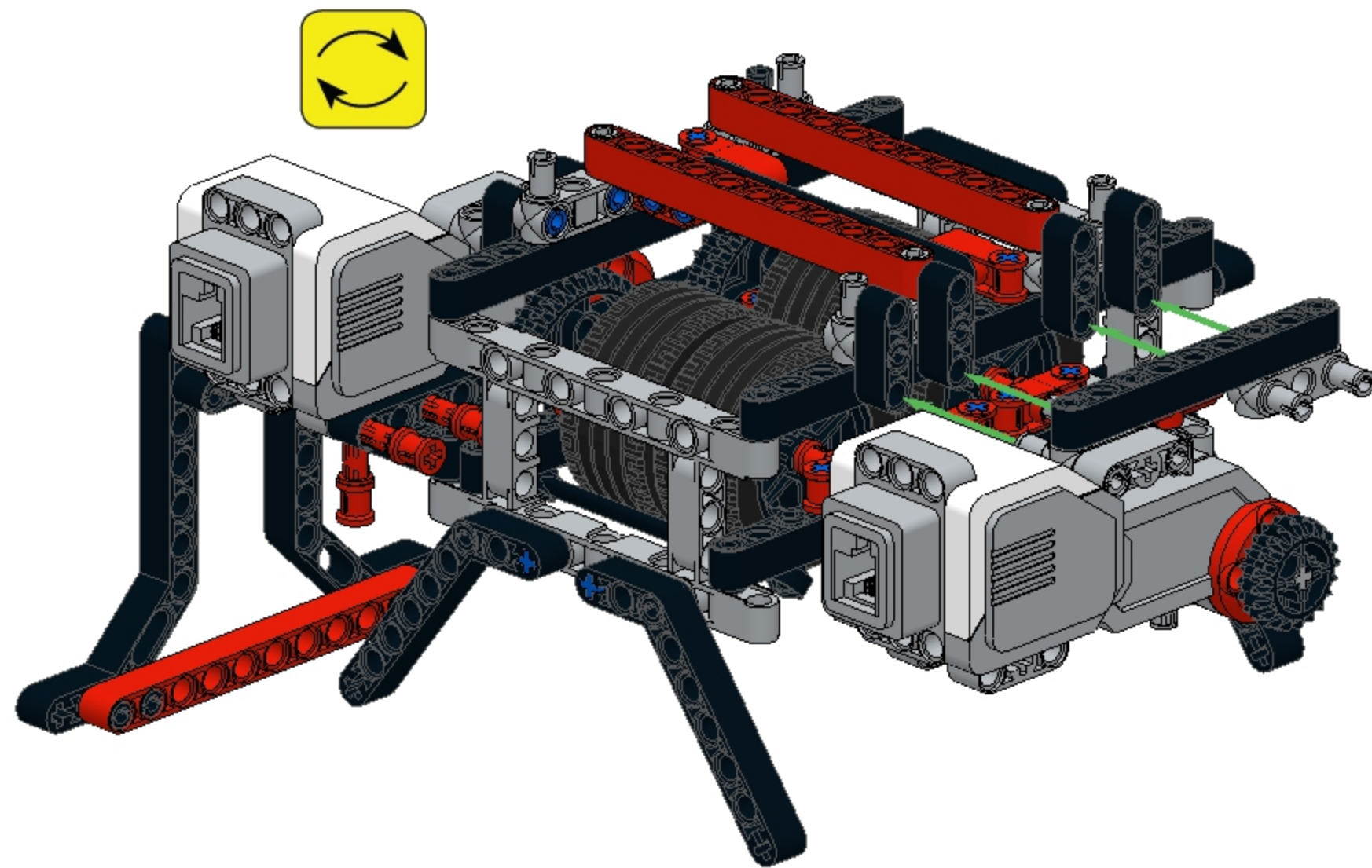
8



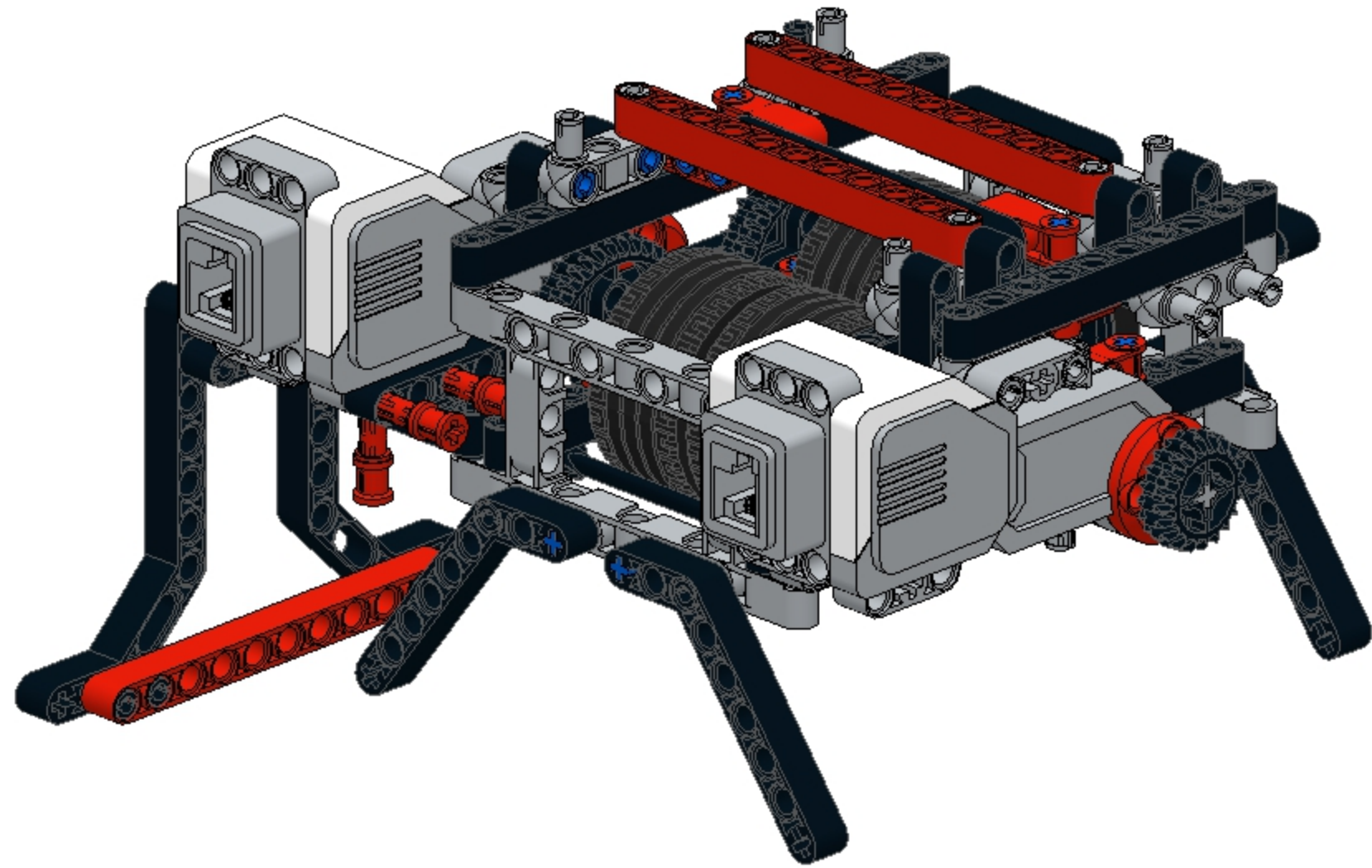
9



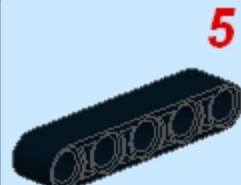

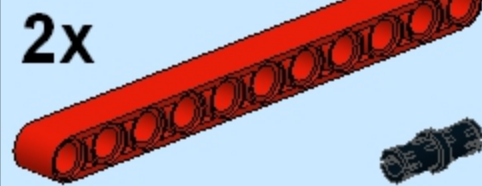

25

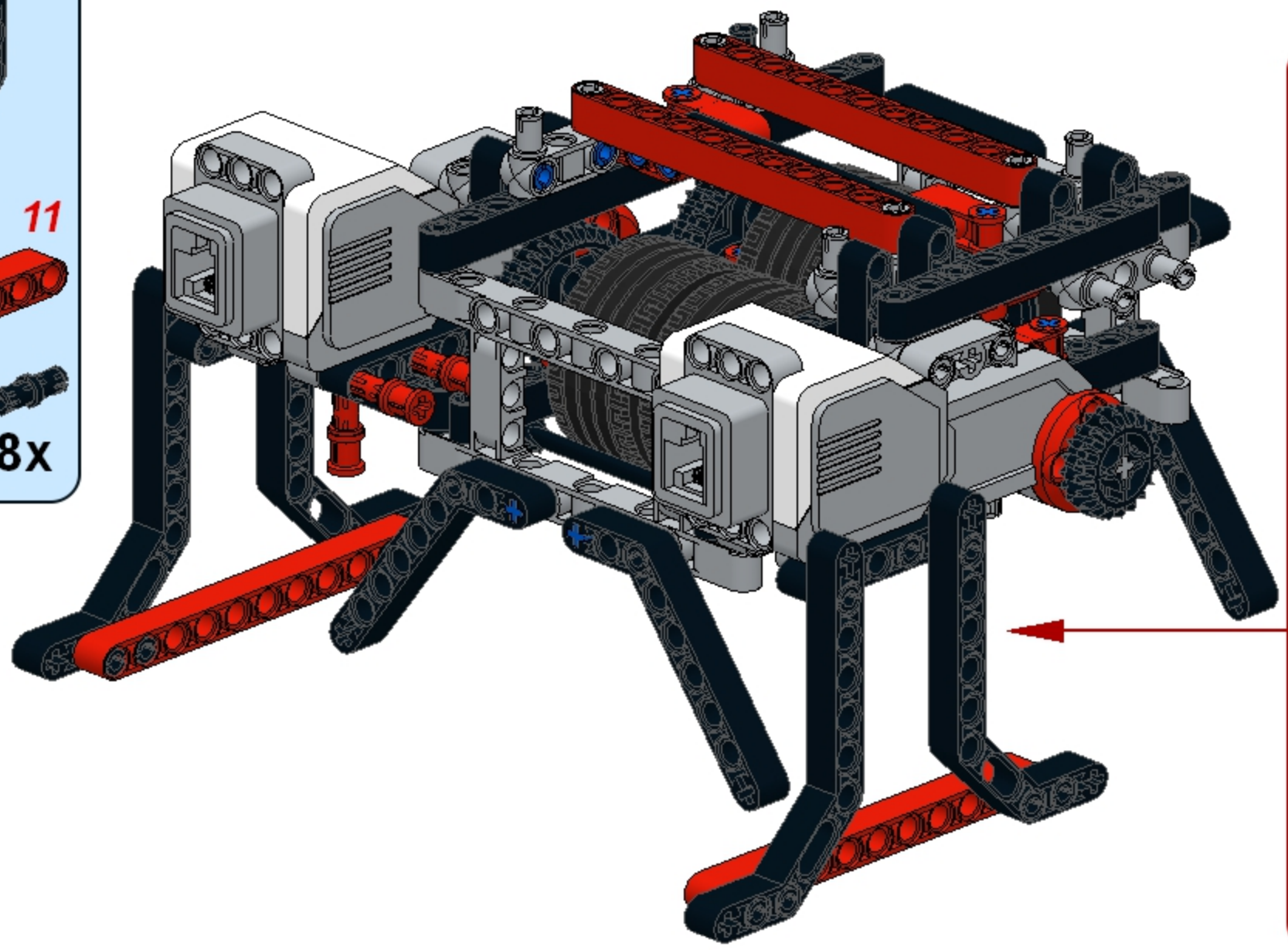



26




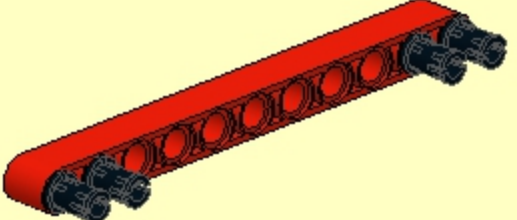
27

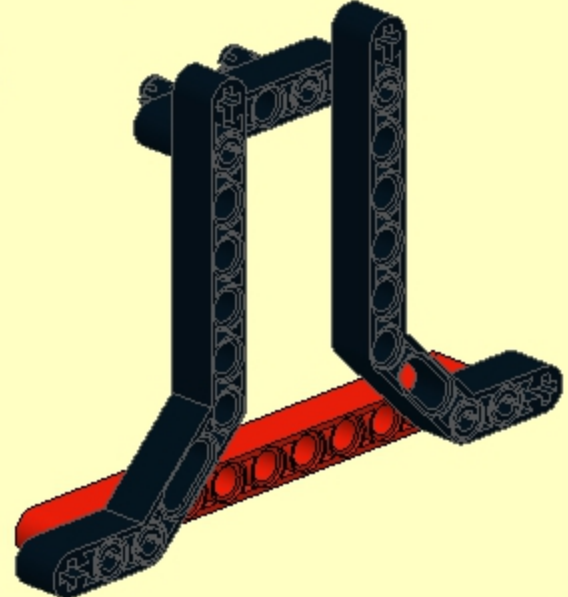
- 1x  5
- 2x  11
- 1x  11
- 8x  8



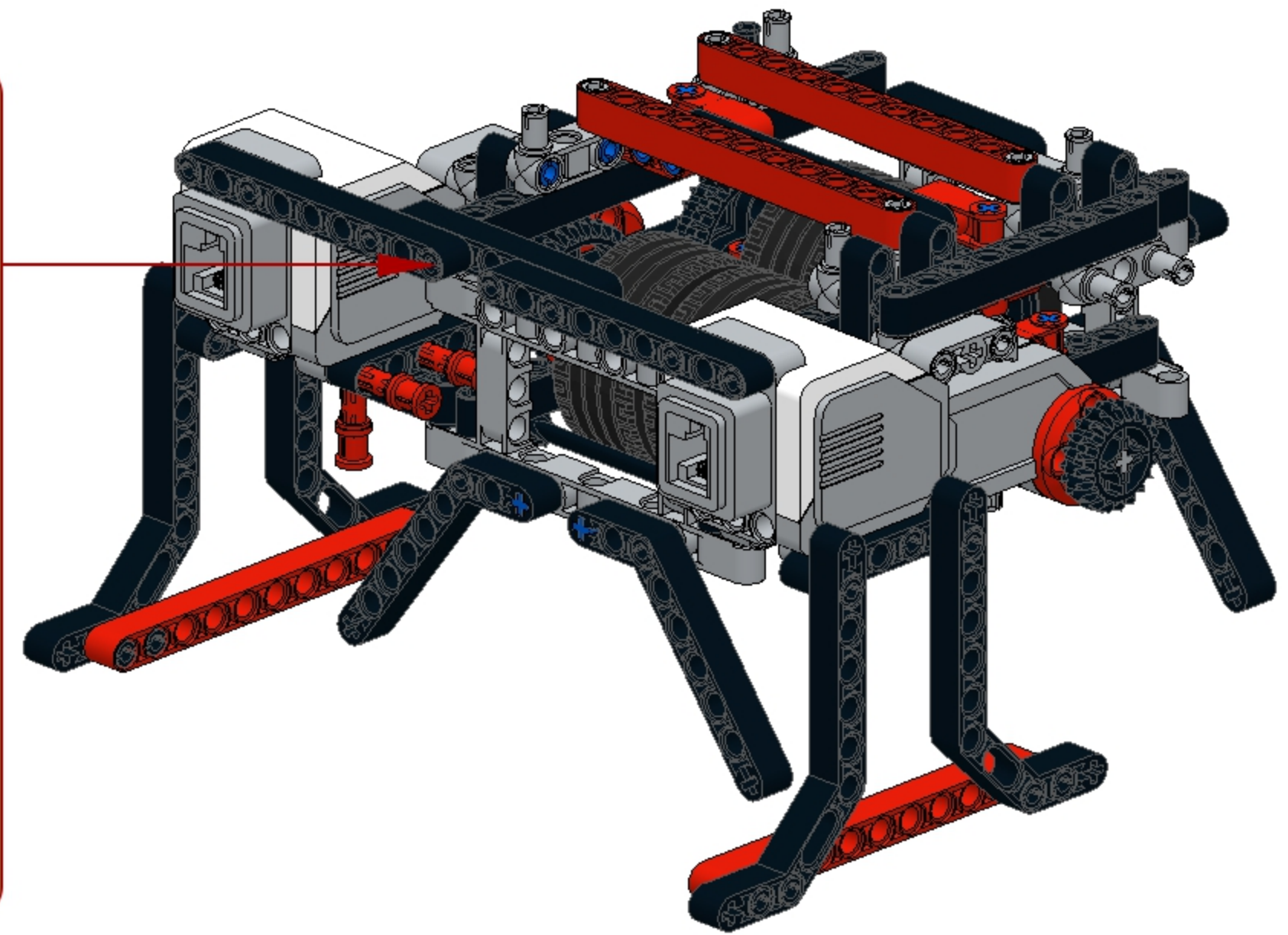
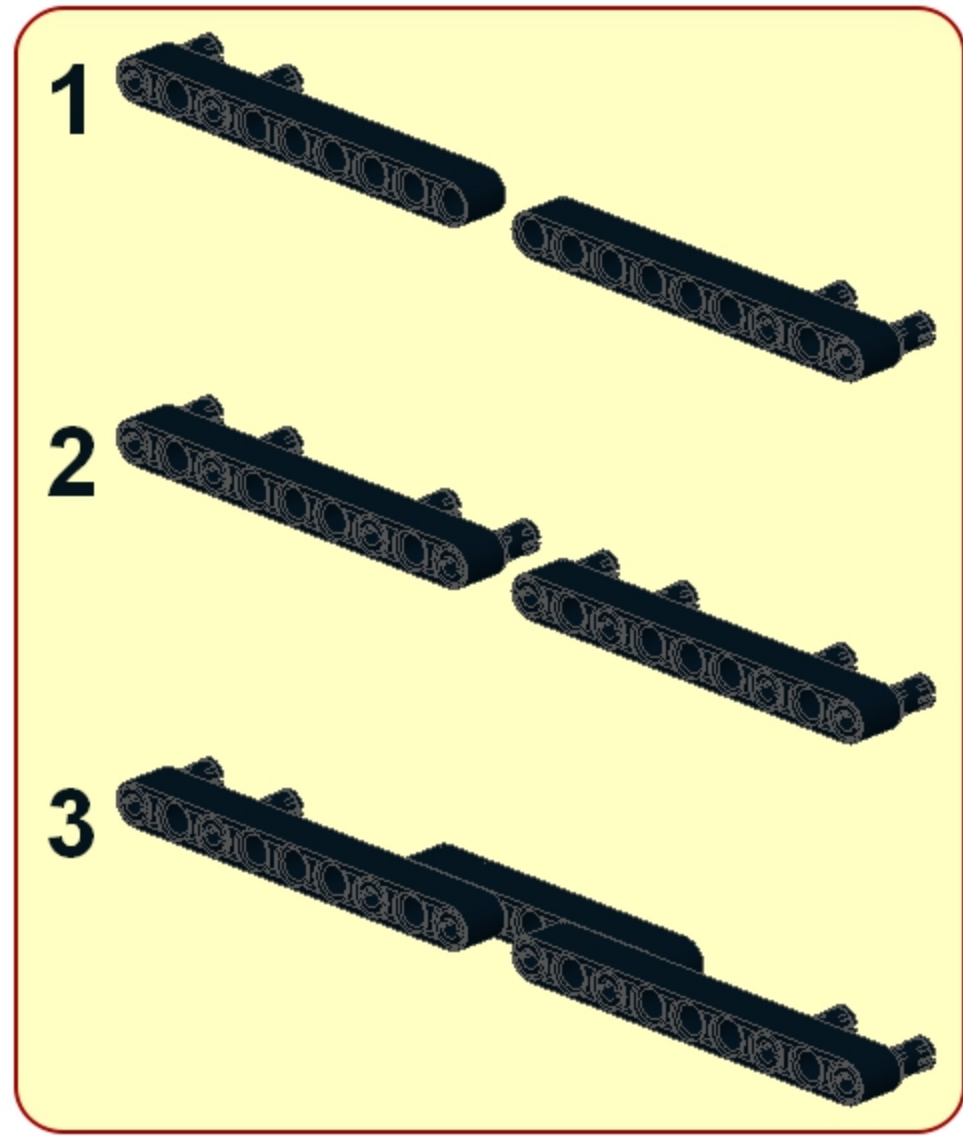
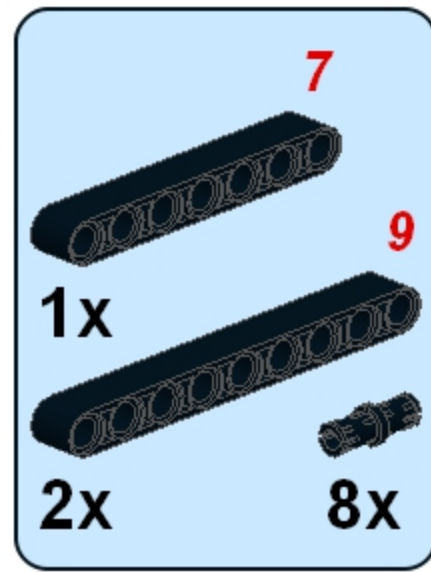
1 

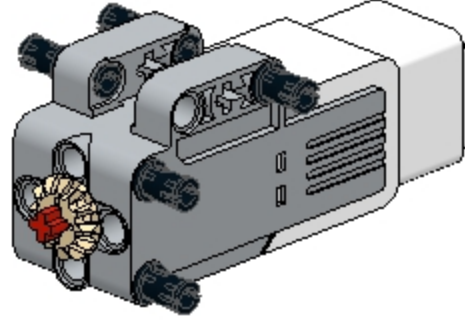
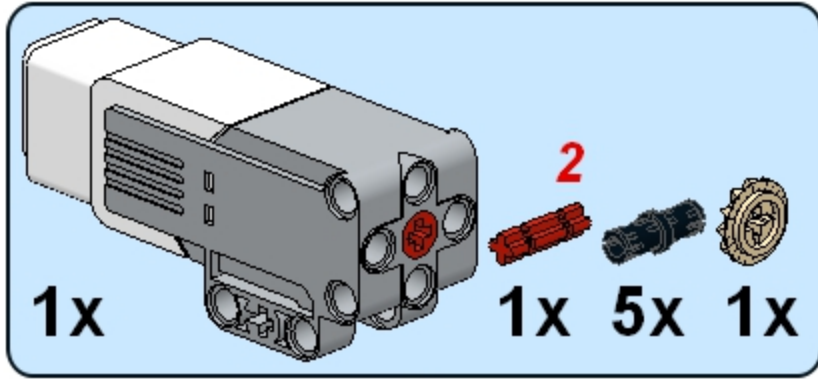
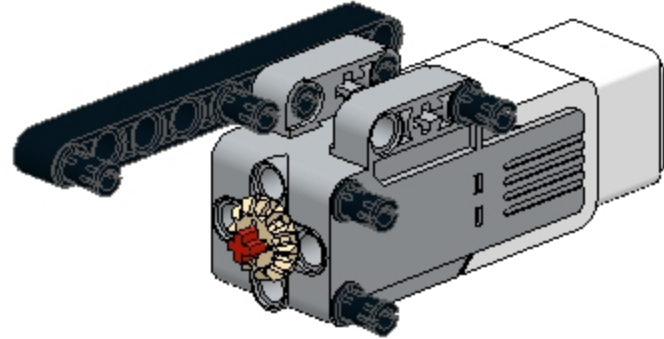
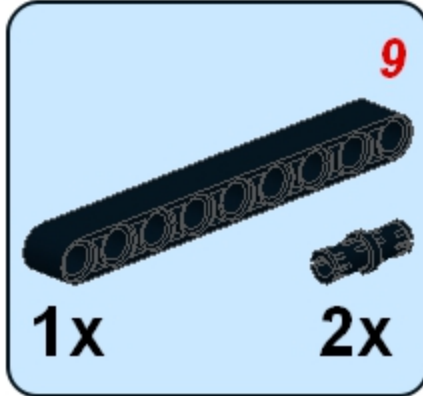
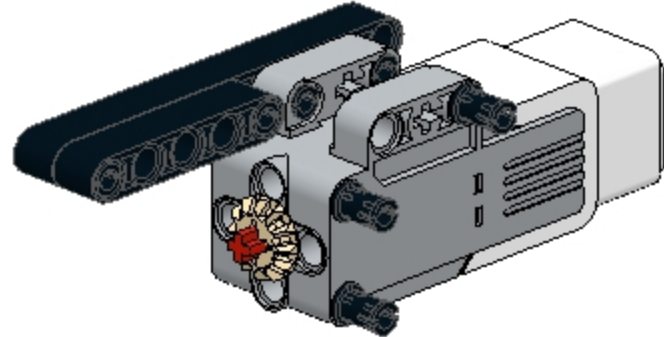
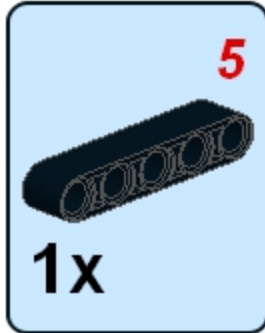
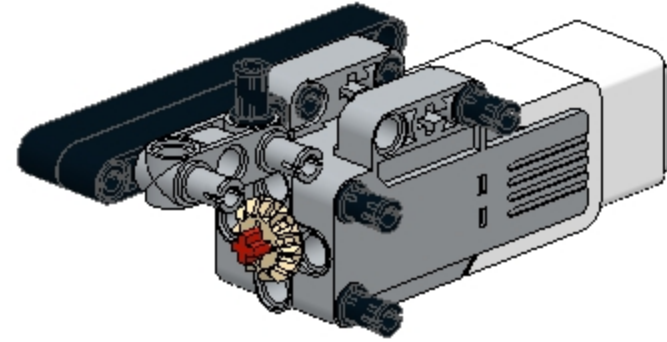
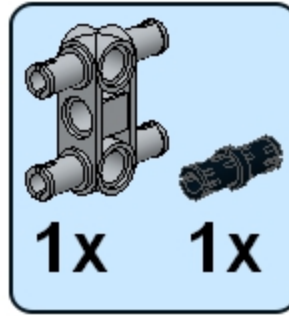
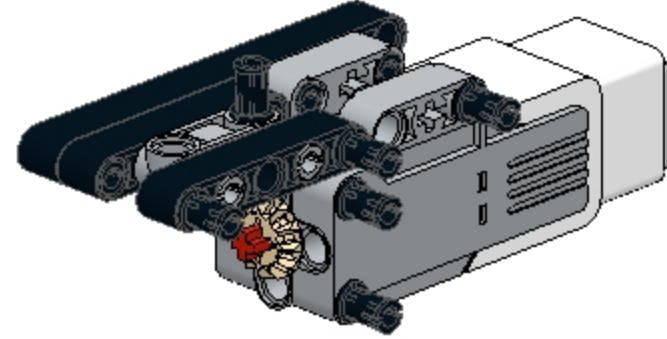
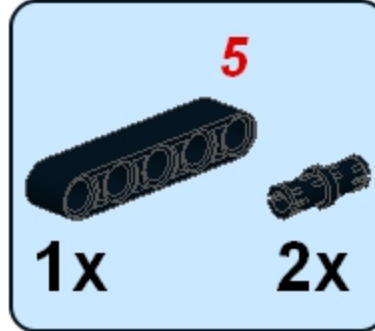
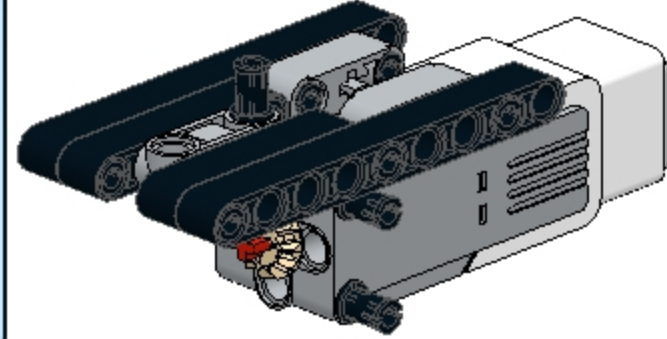
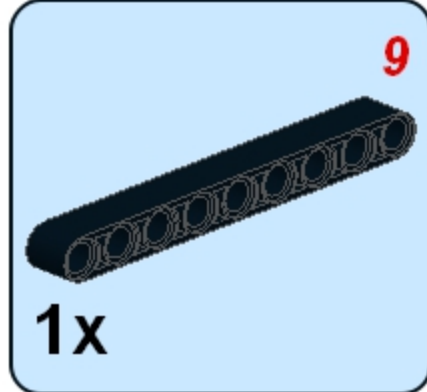
2 

3 

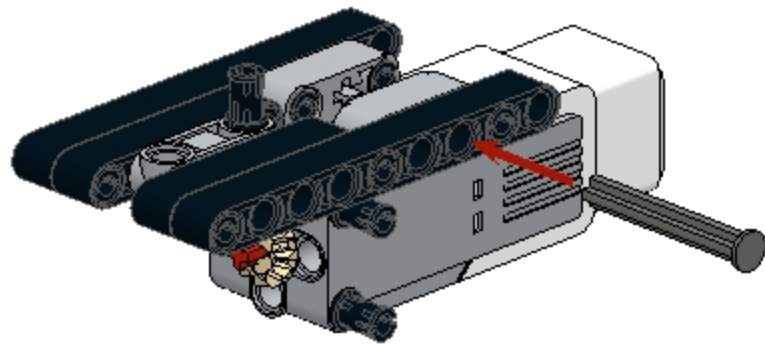
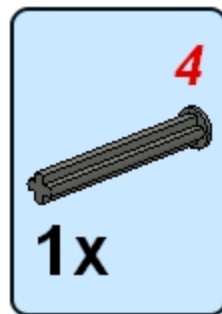


28

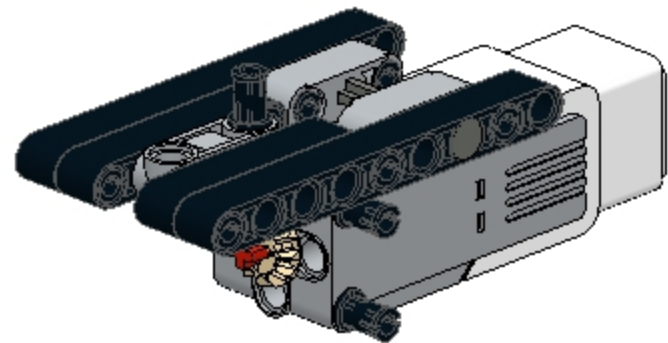


1**2****3****4****5****6**

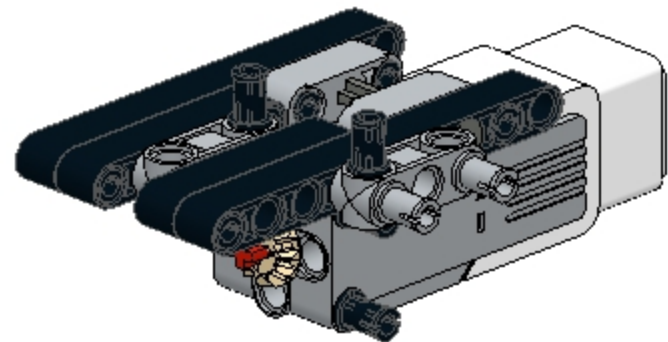
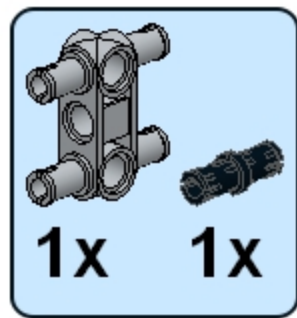
7



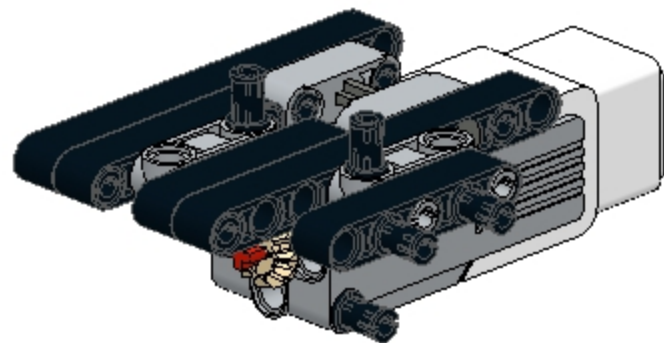
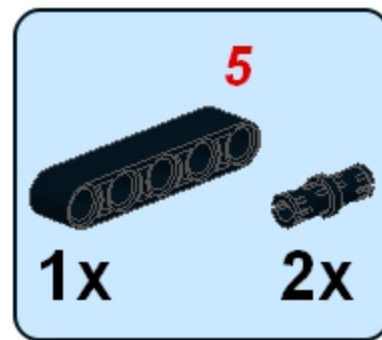
8



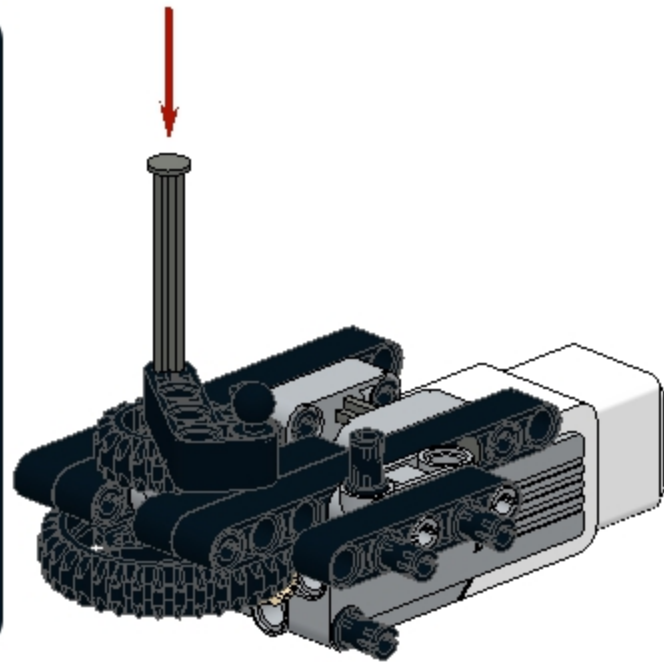
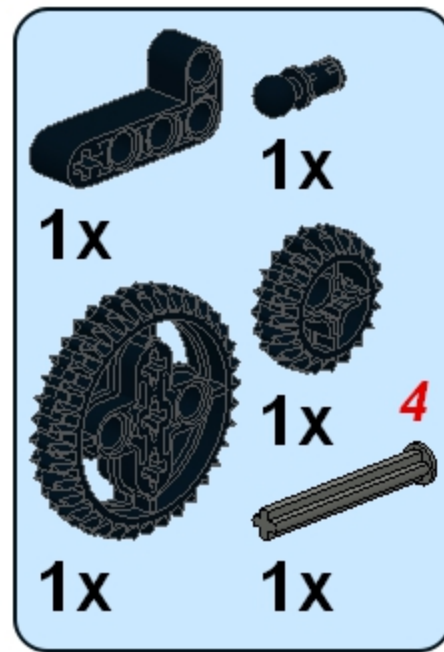
9



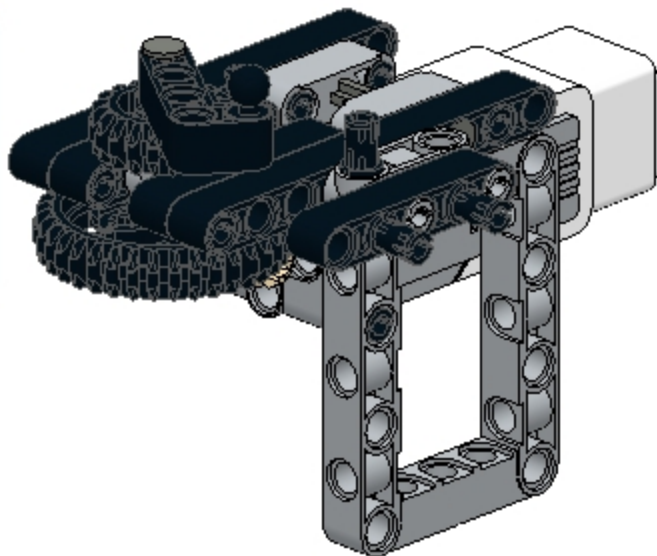
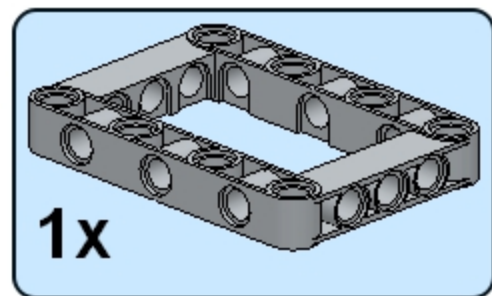
10



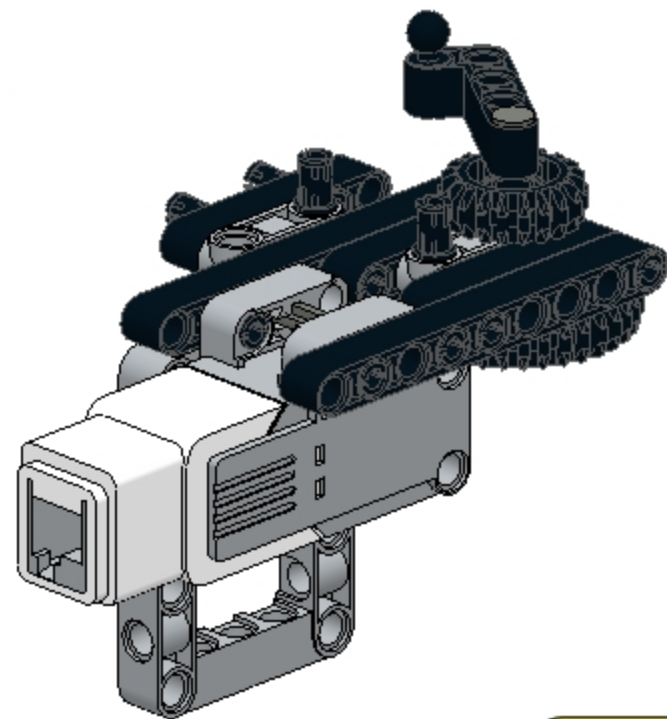
11



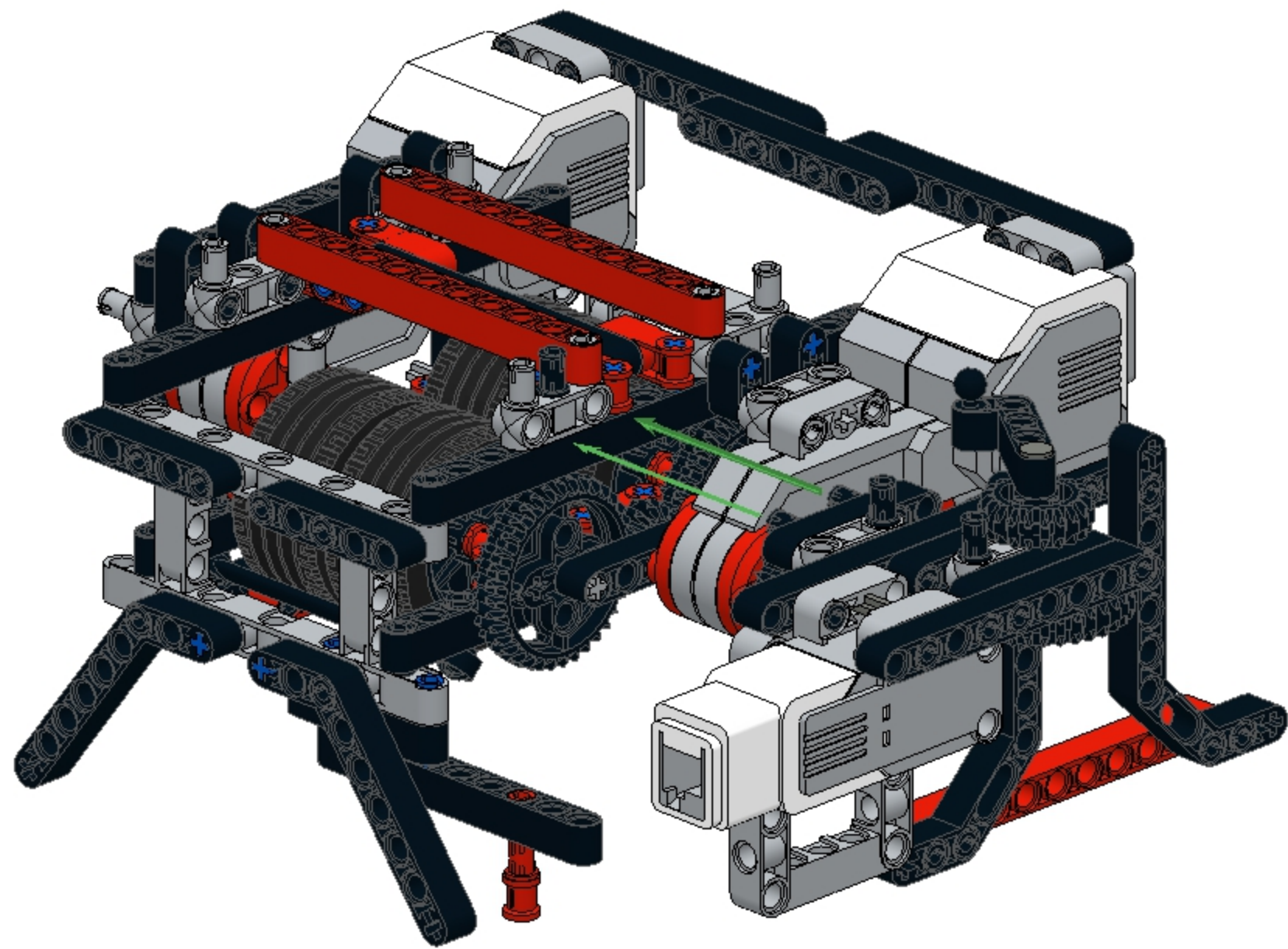
12



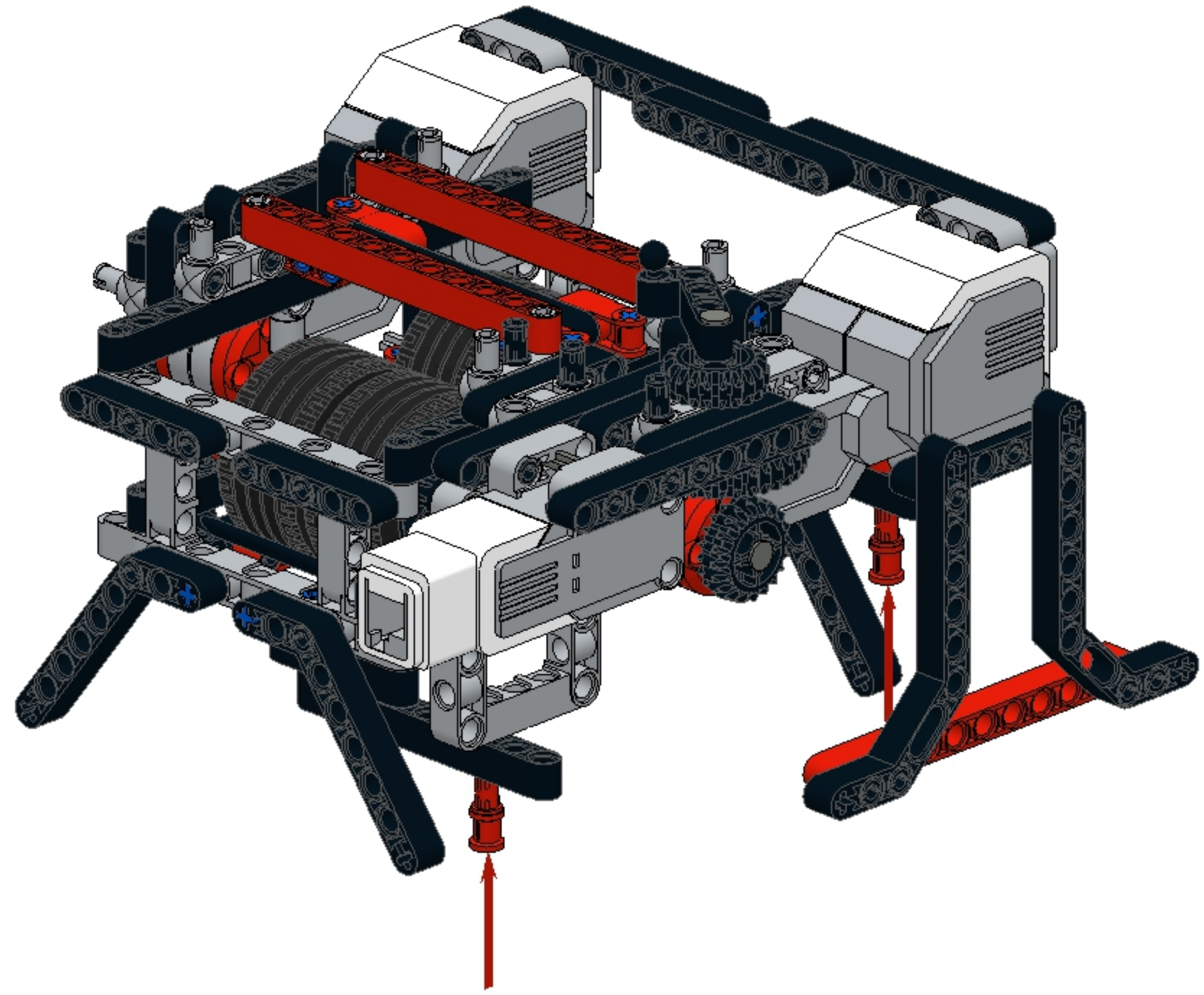
13



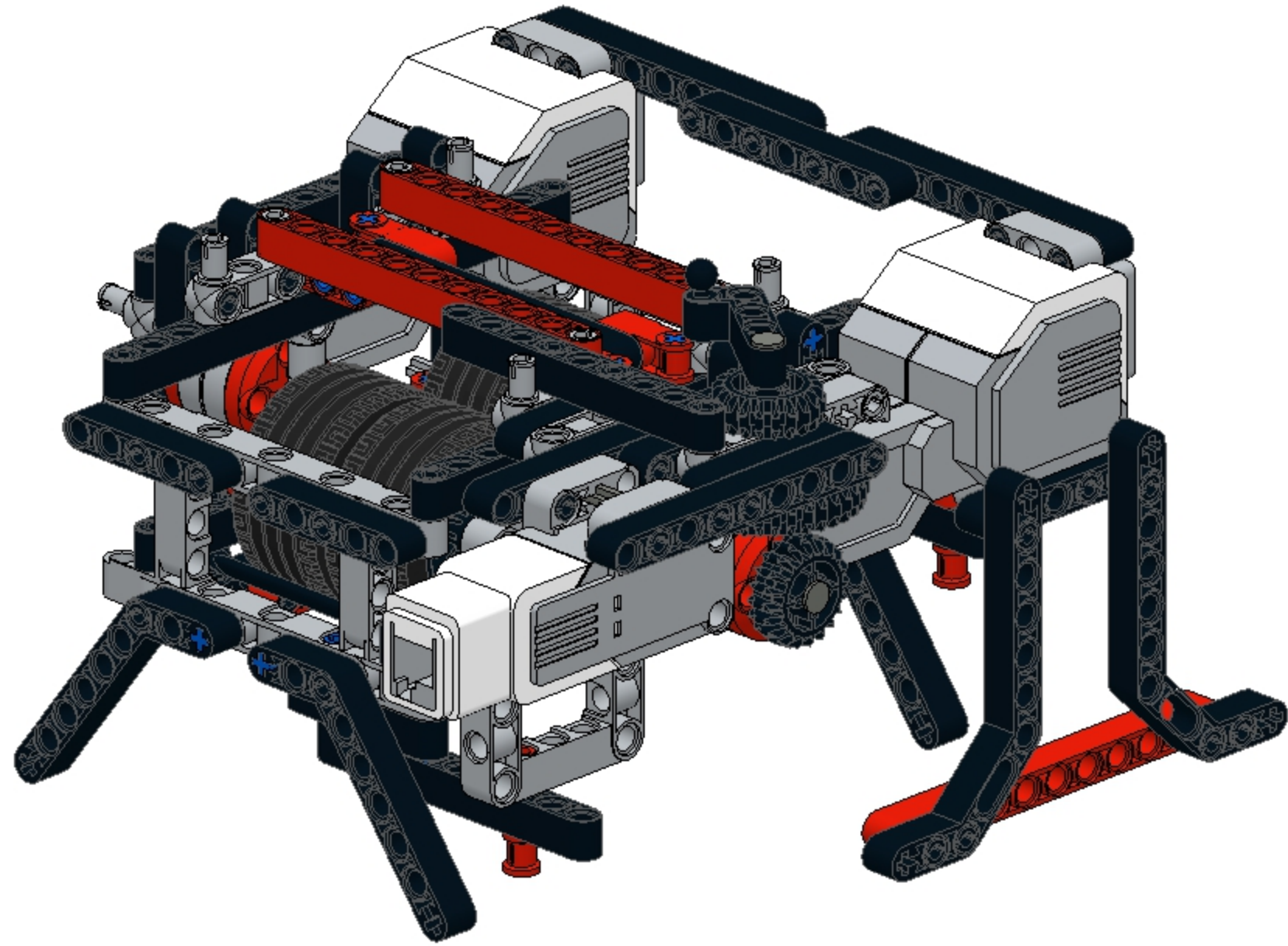
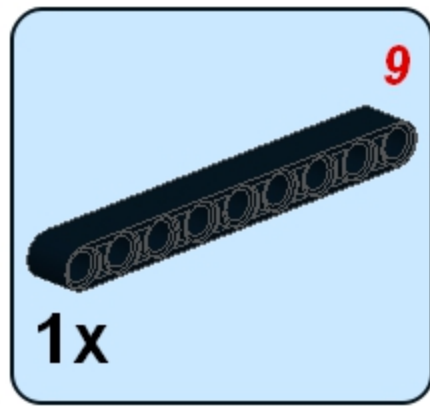
29



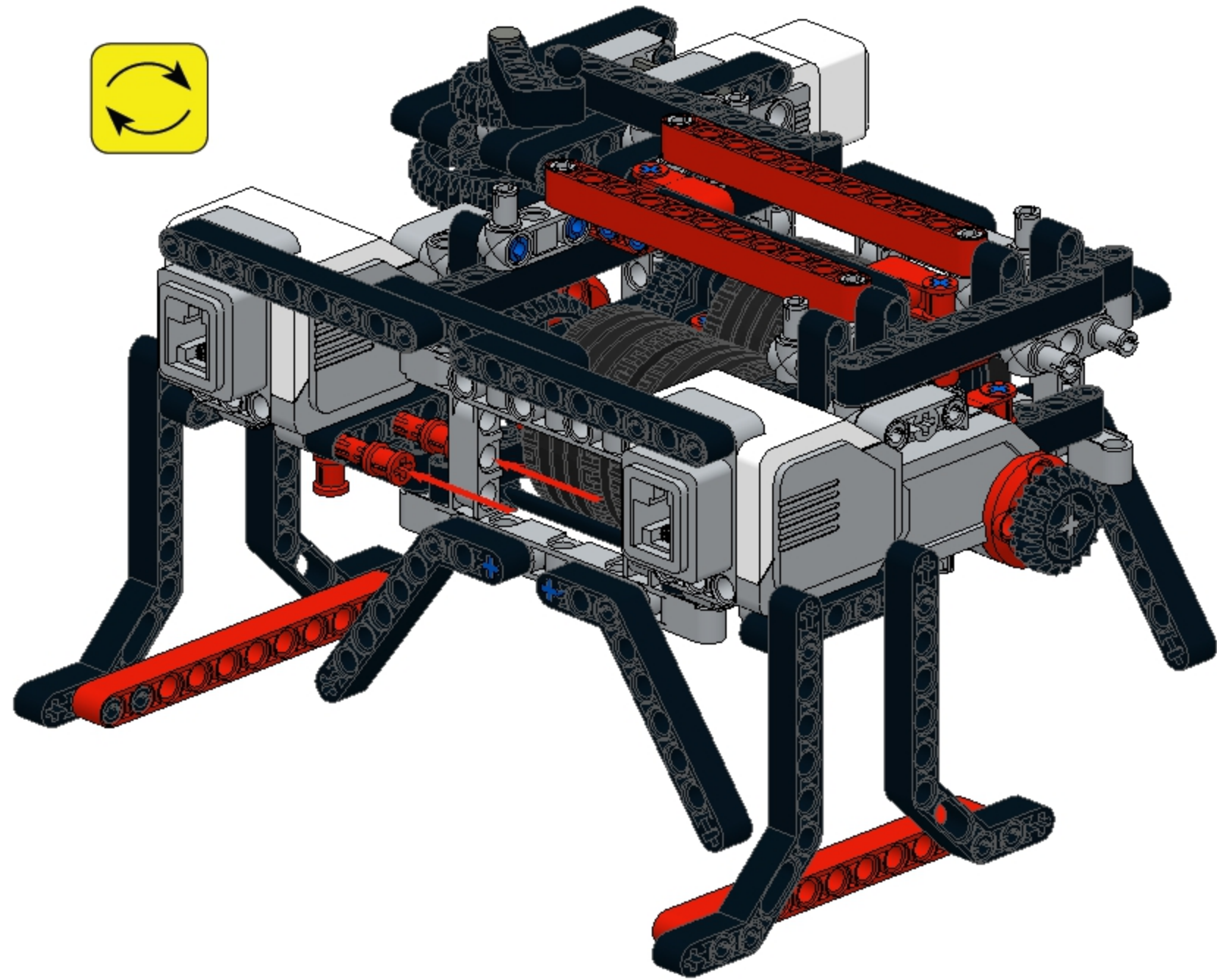
30



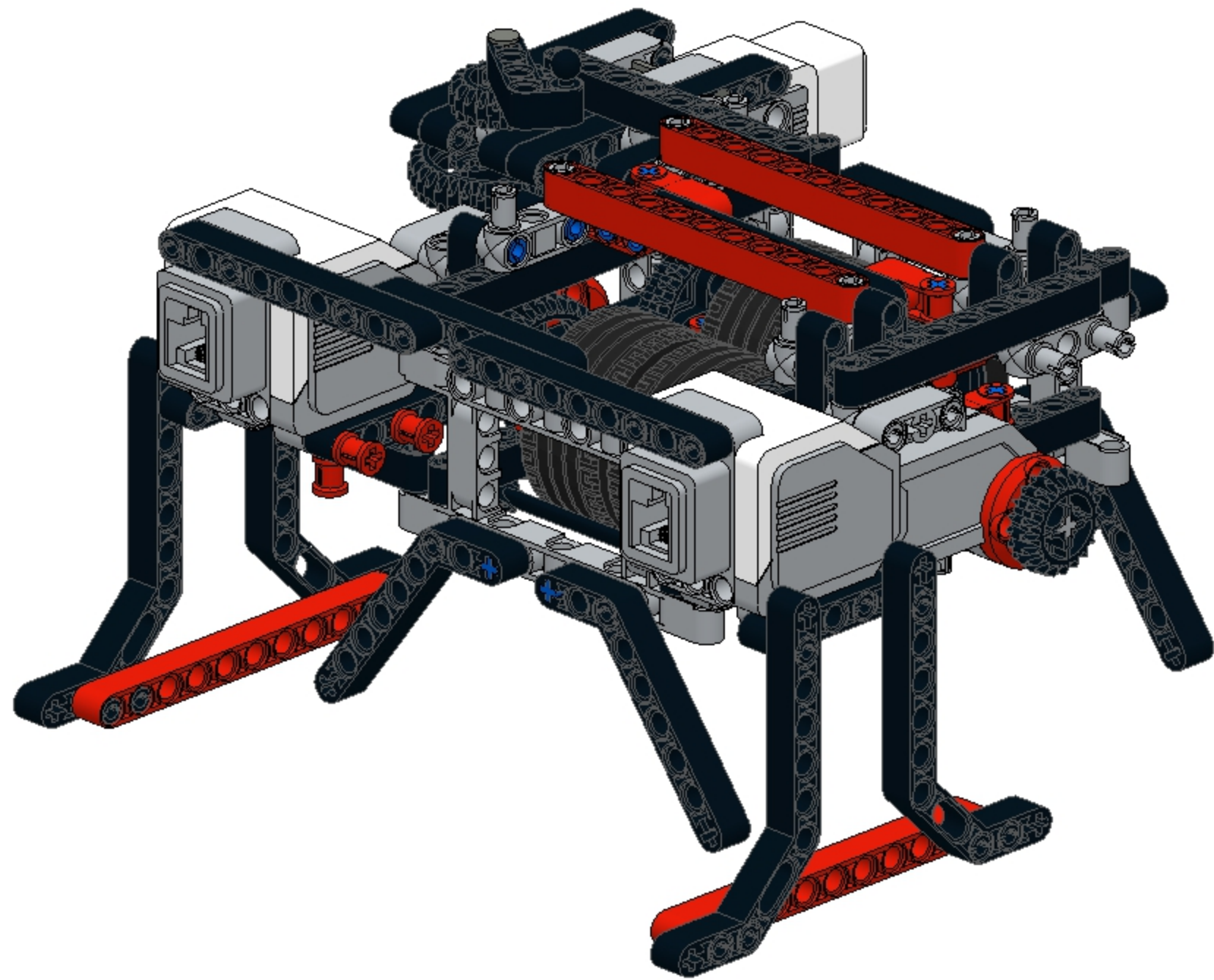
31



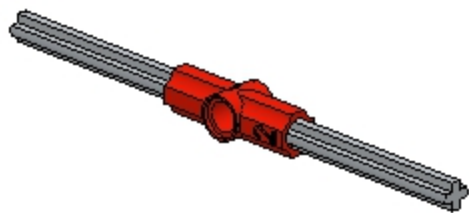
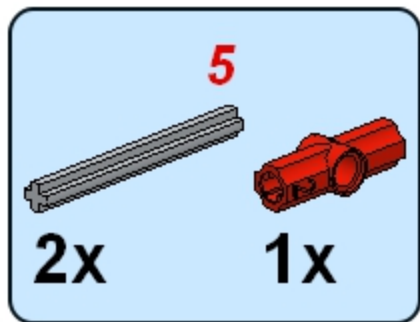
32



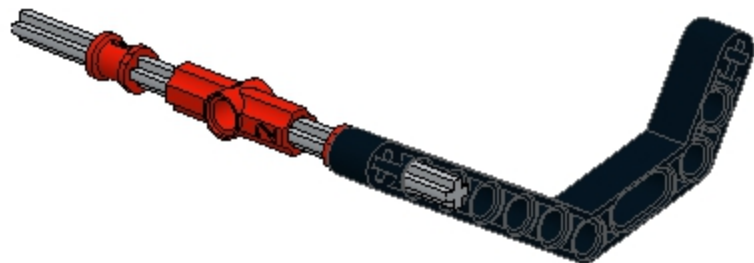
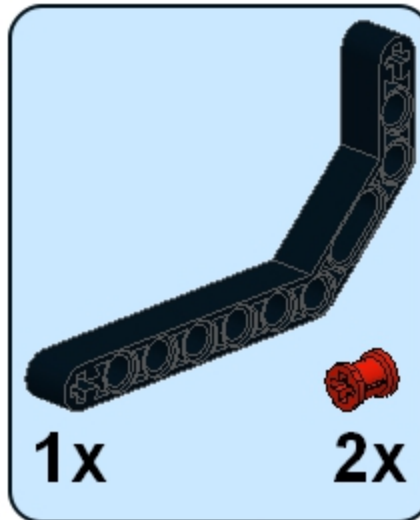
33



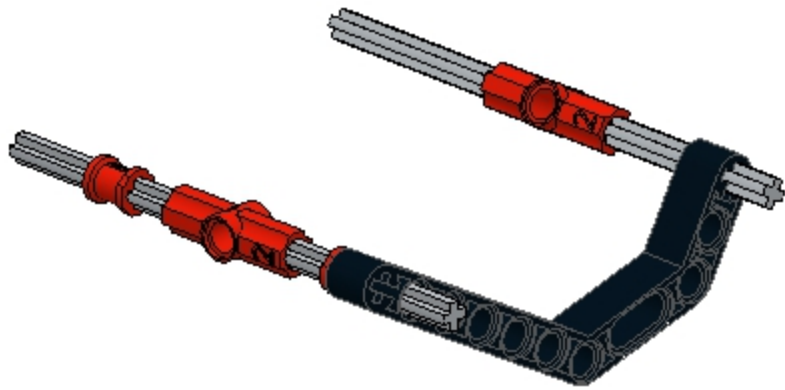
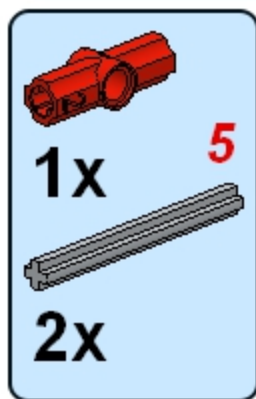
1



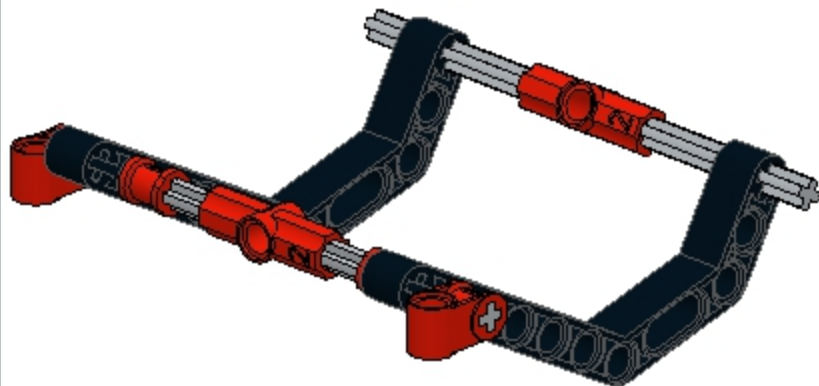
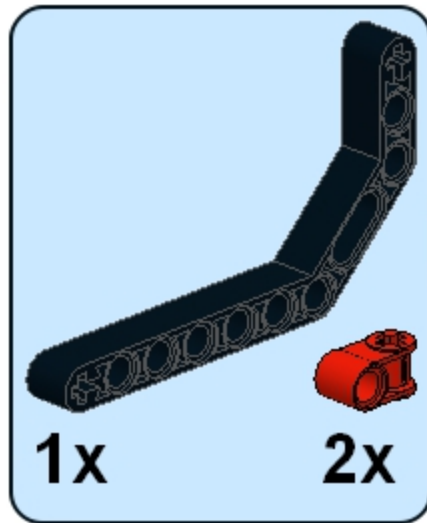
2



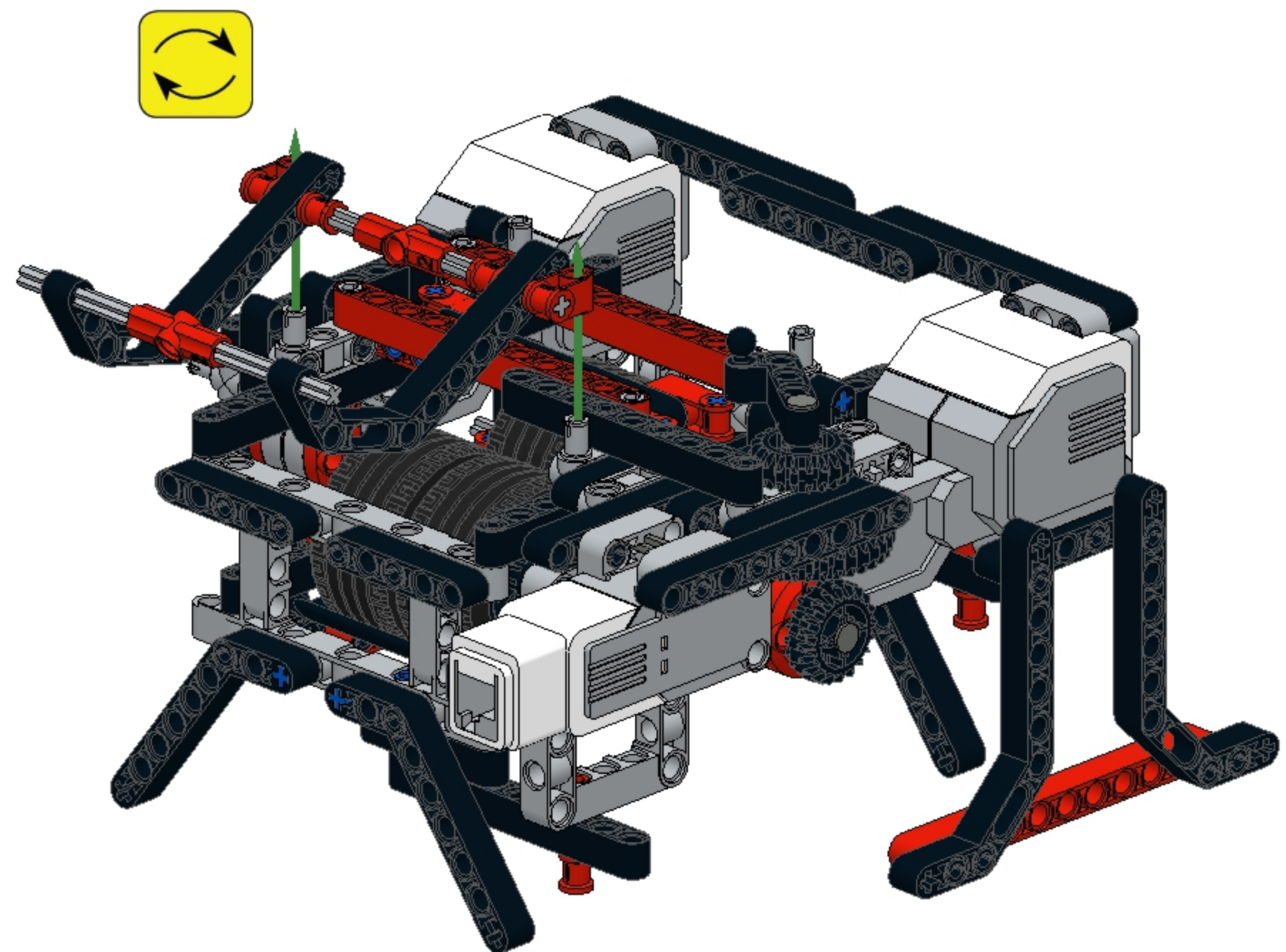
3



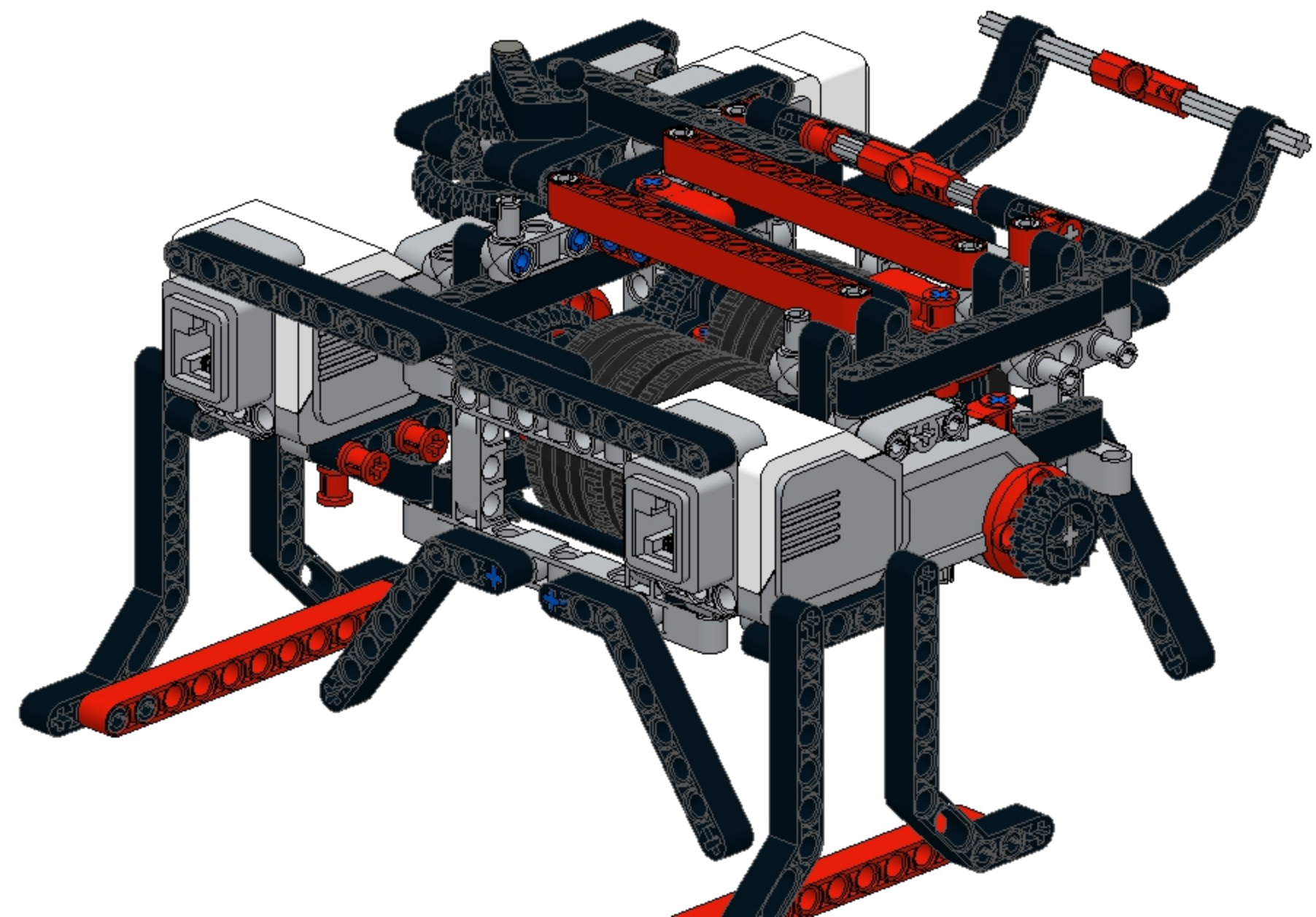
4

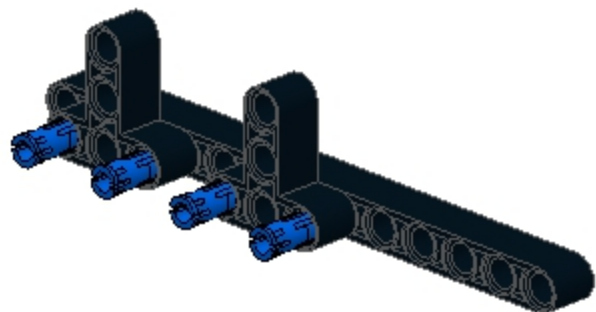
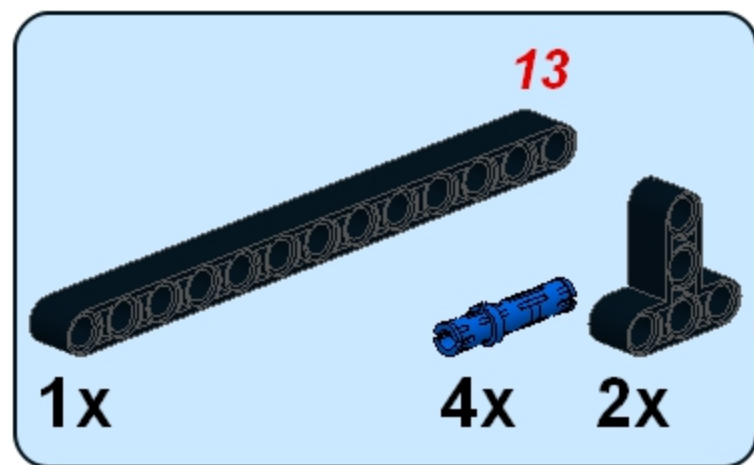
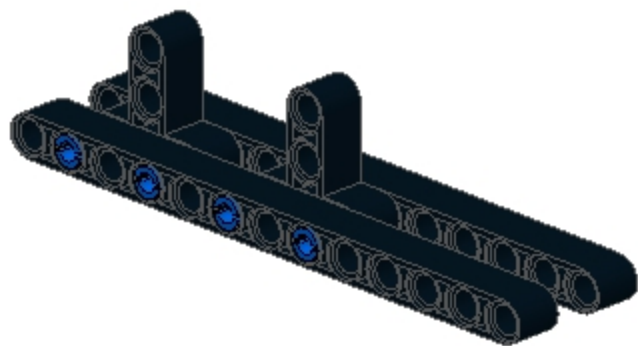
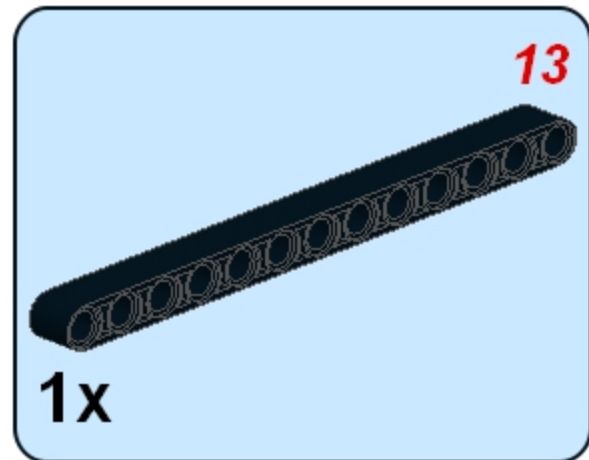
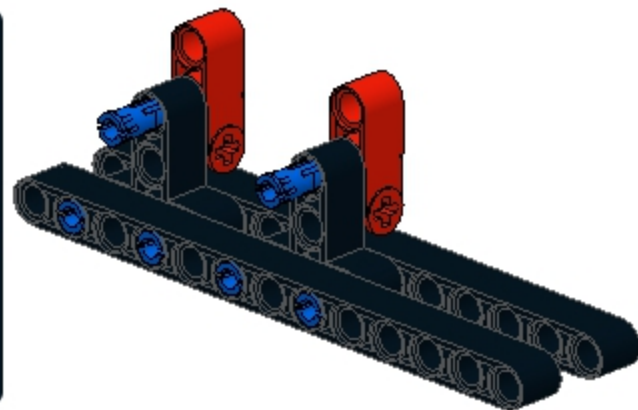
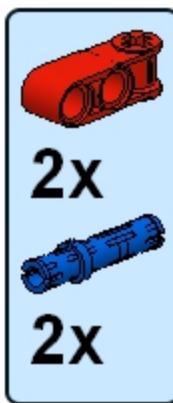
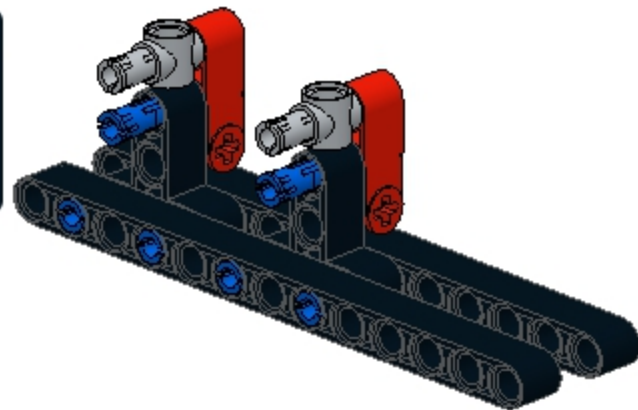
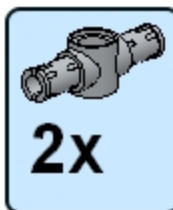
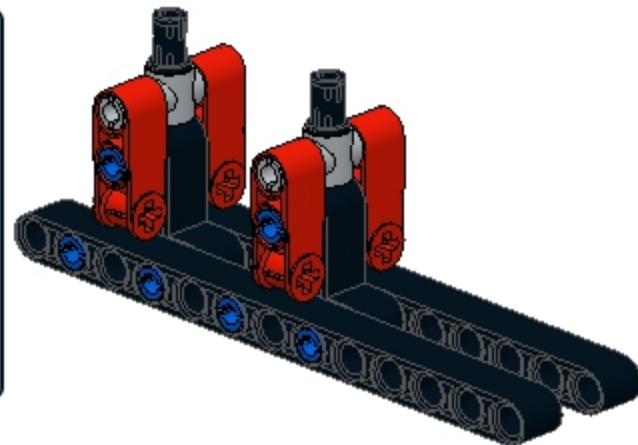


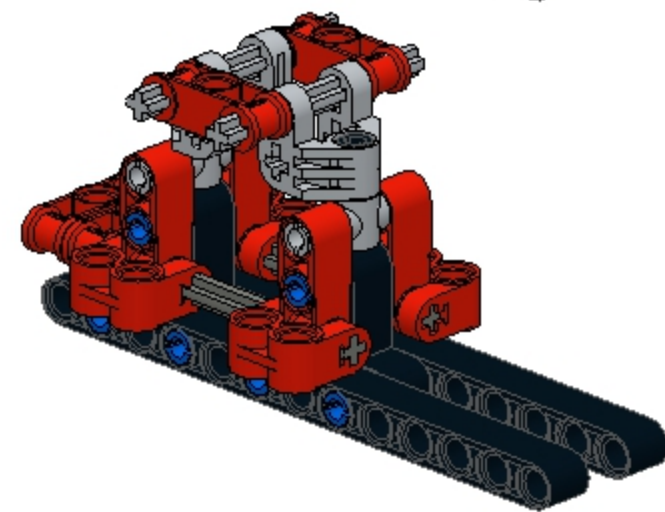
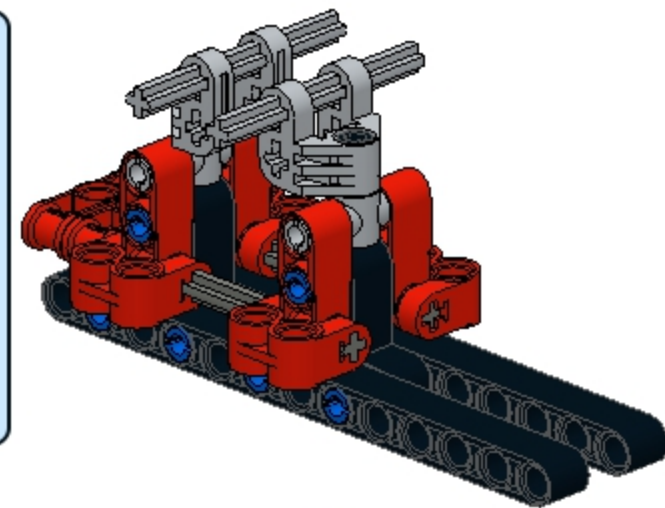
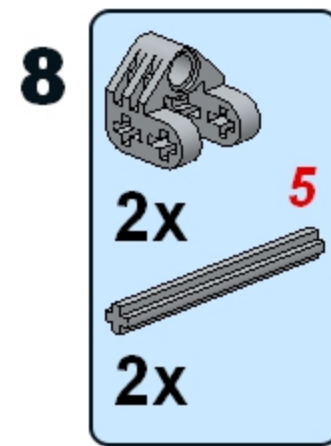
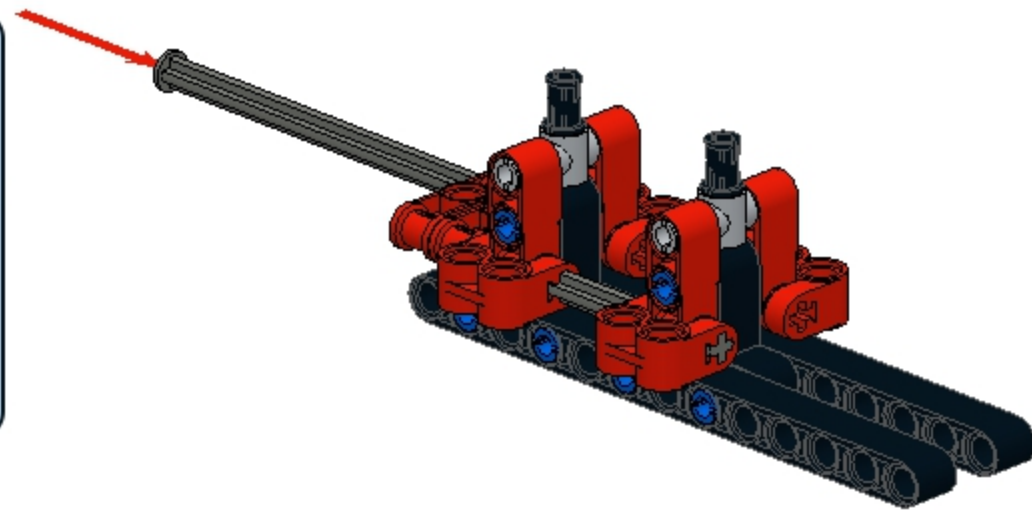
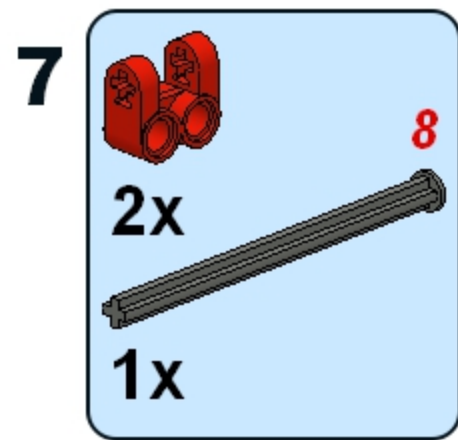
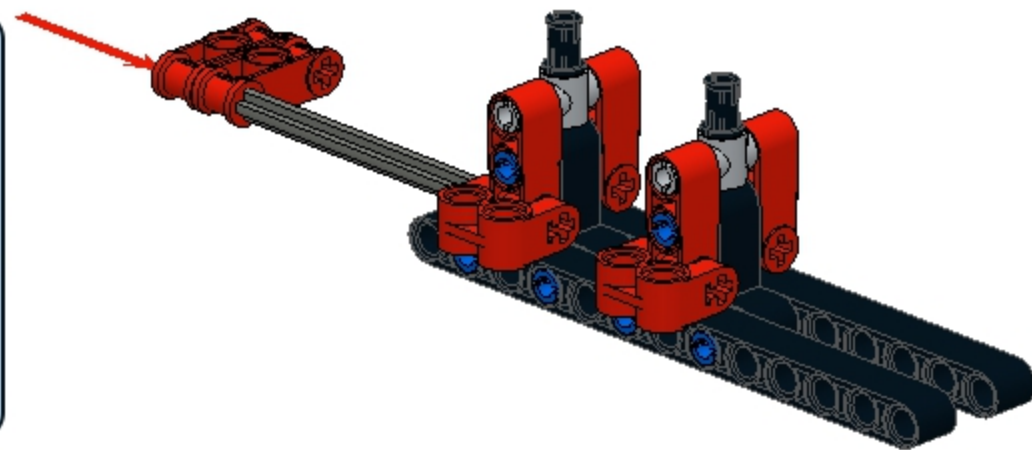
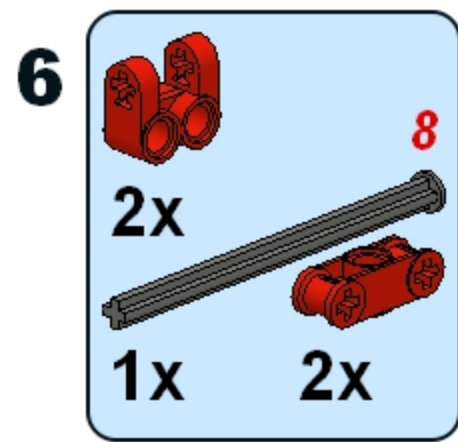
34



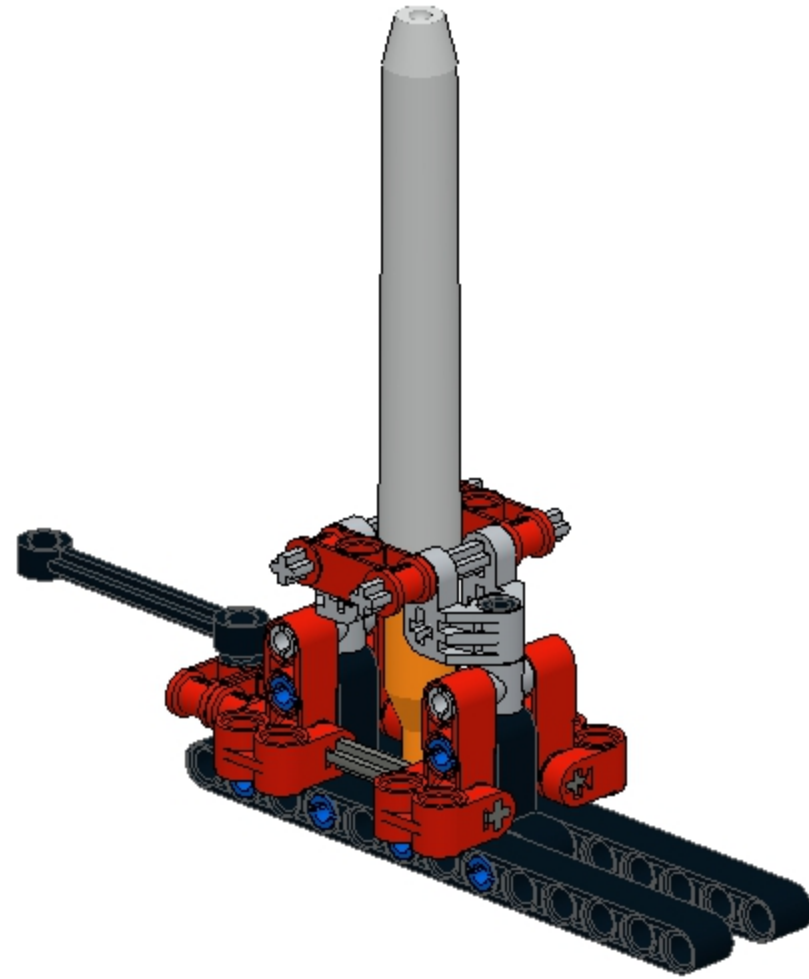
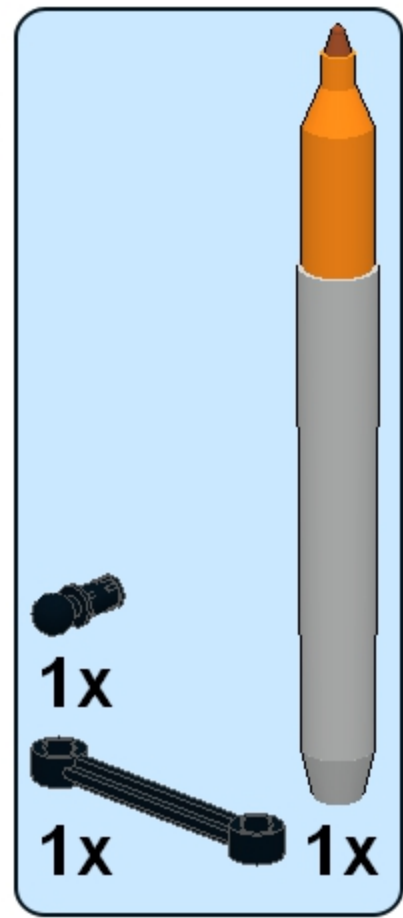
35



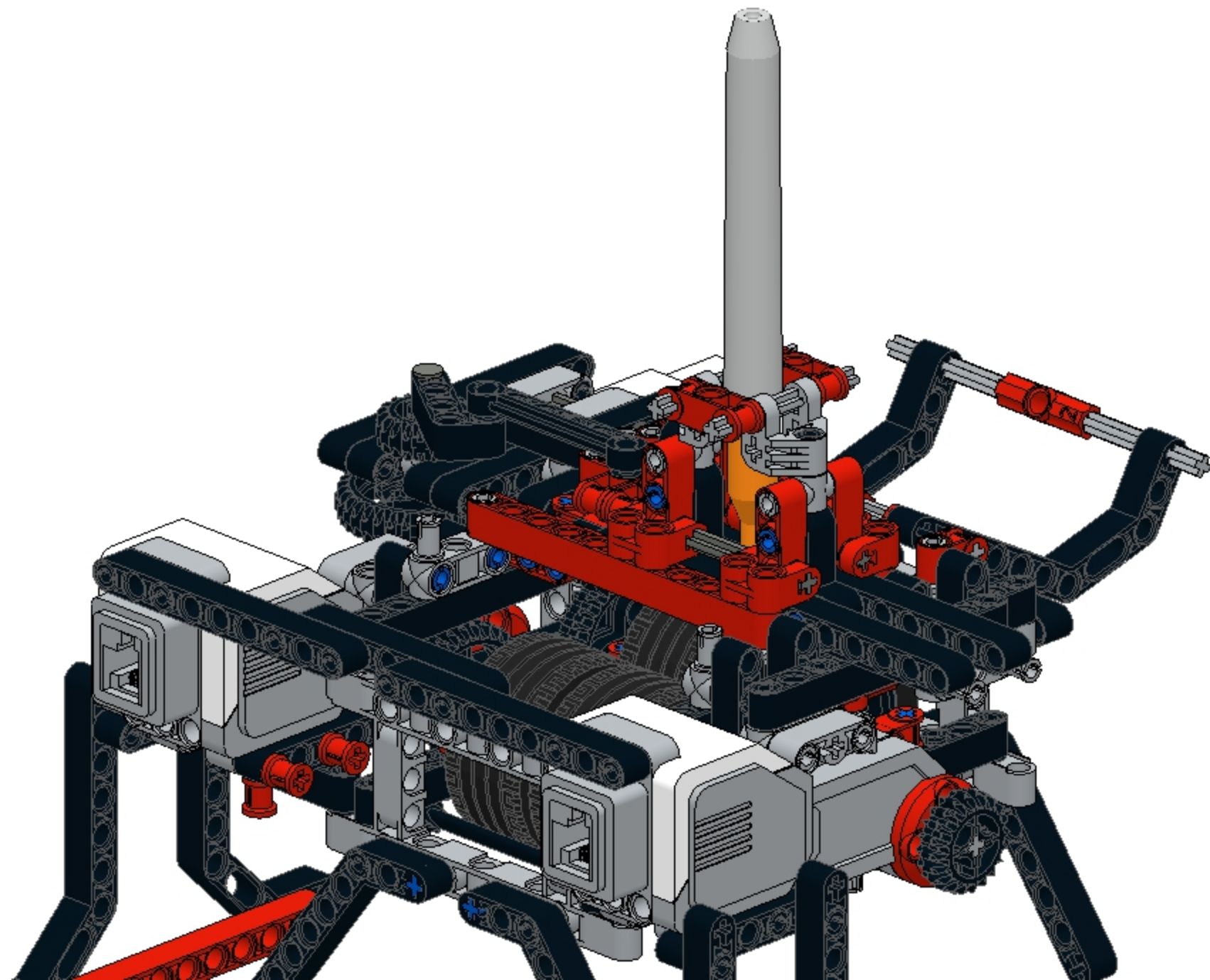
1**2****3****4****5**



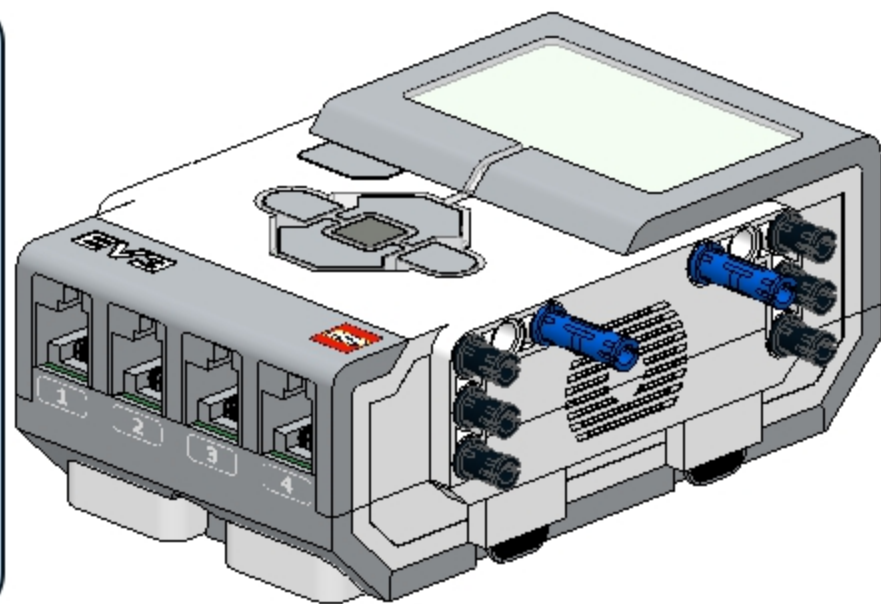
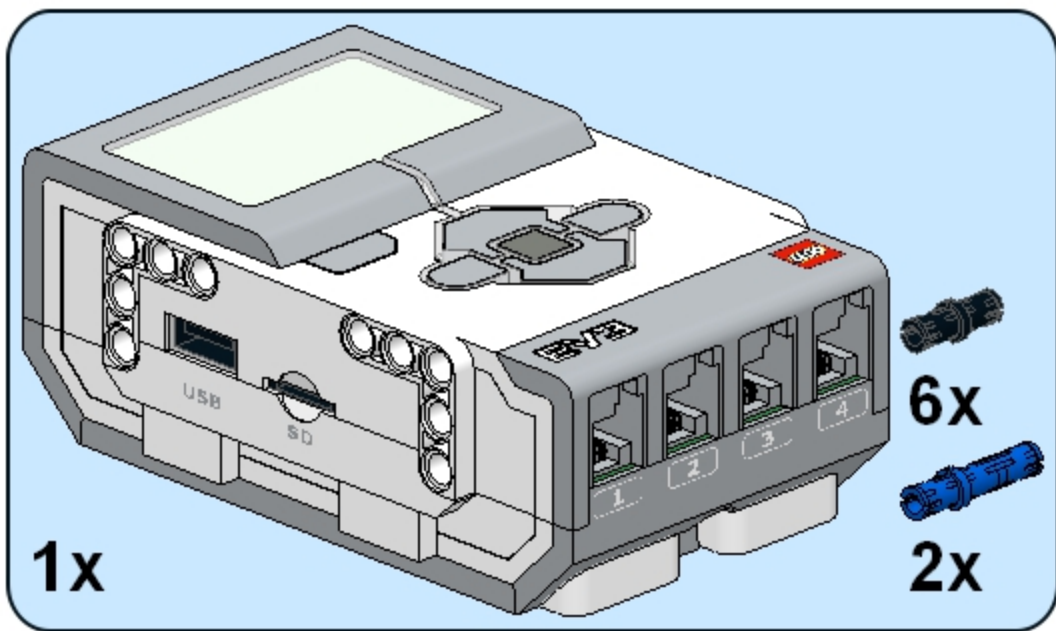
10



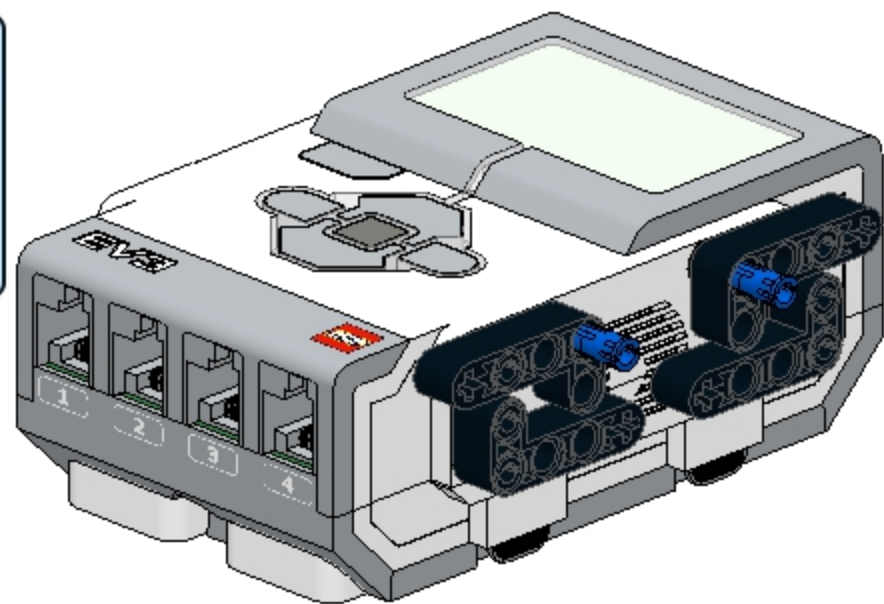
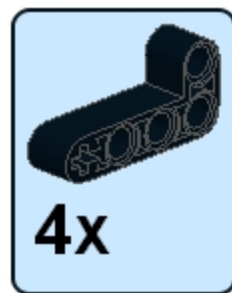
36



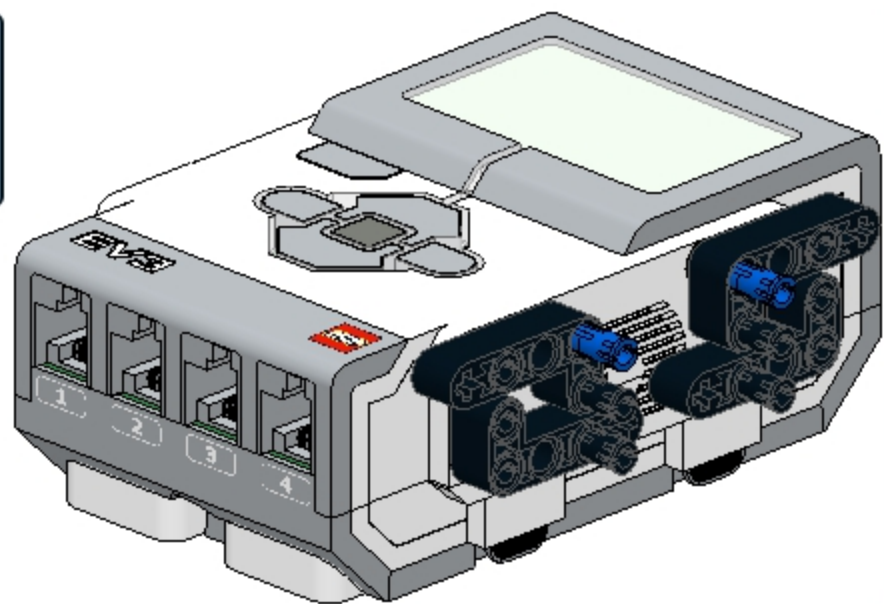
1



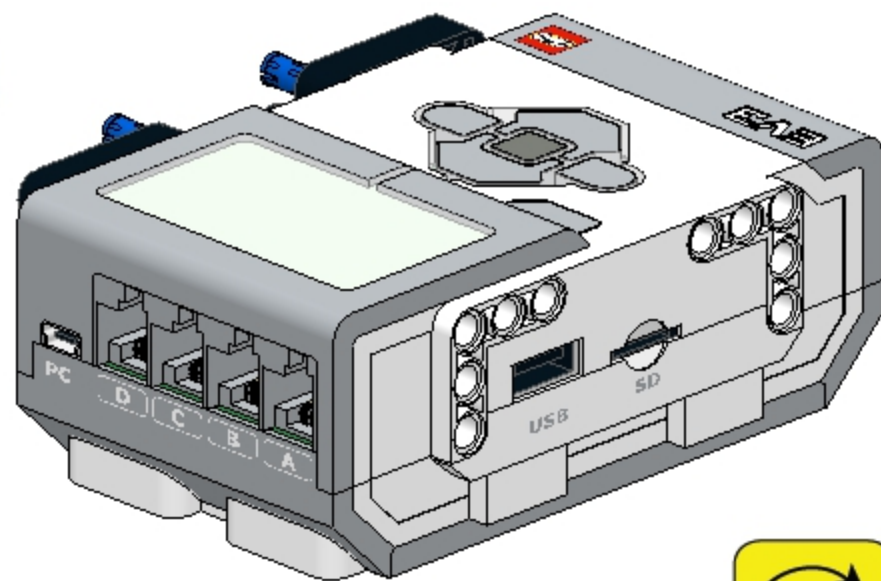
2



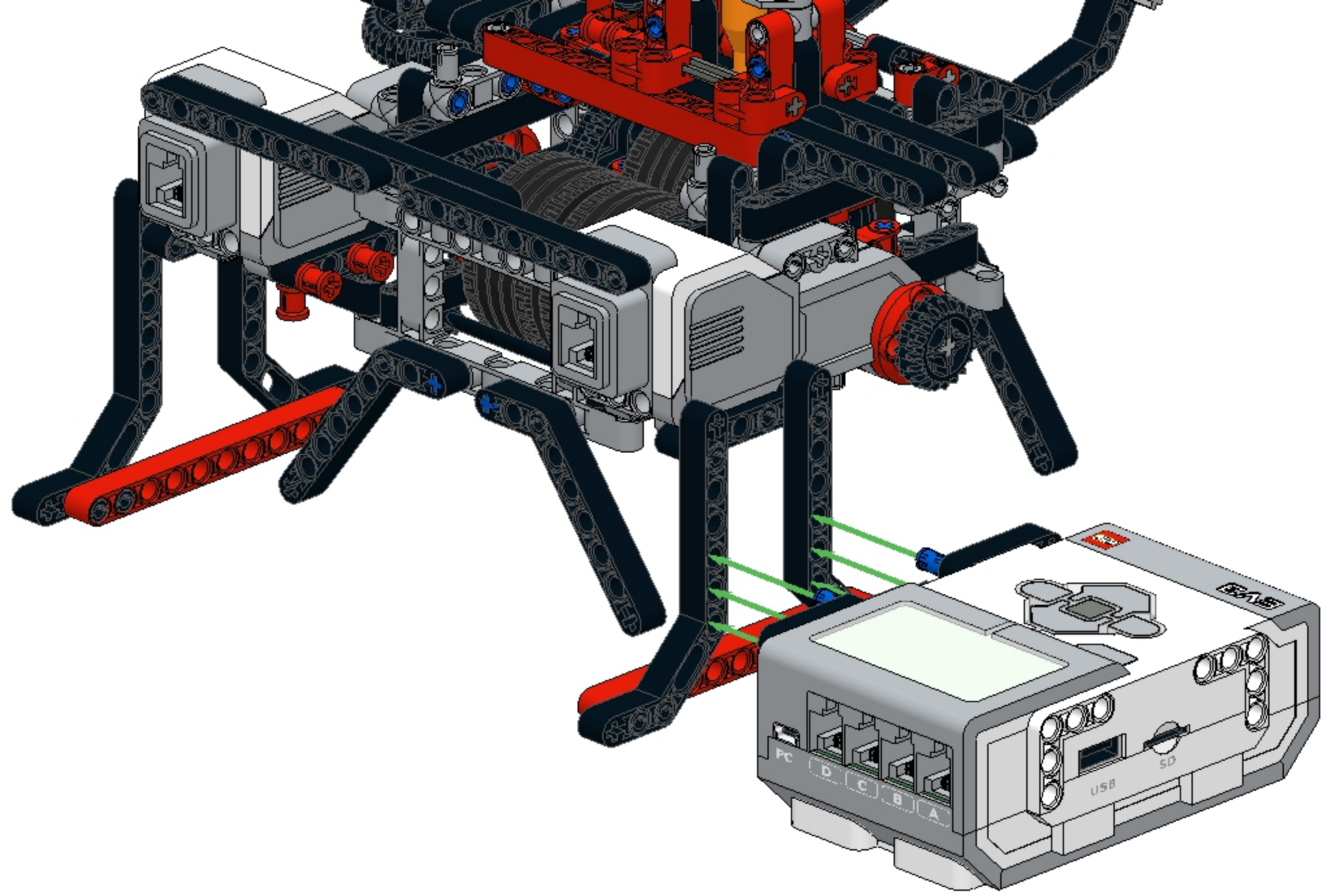
3
4x



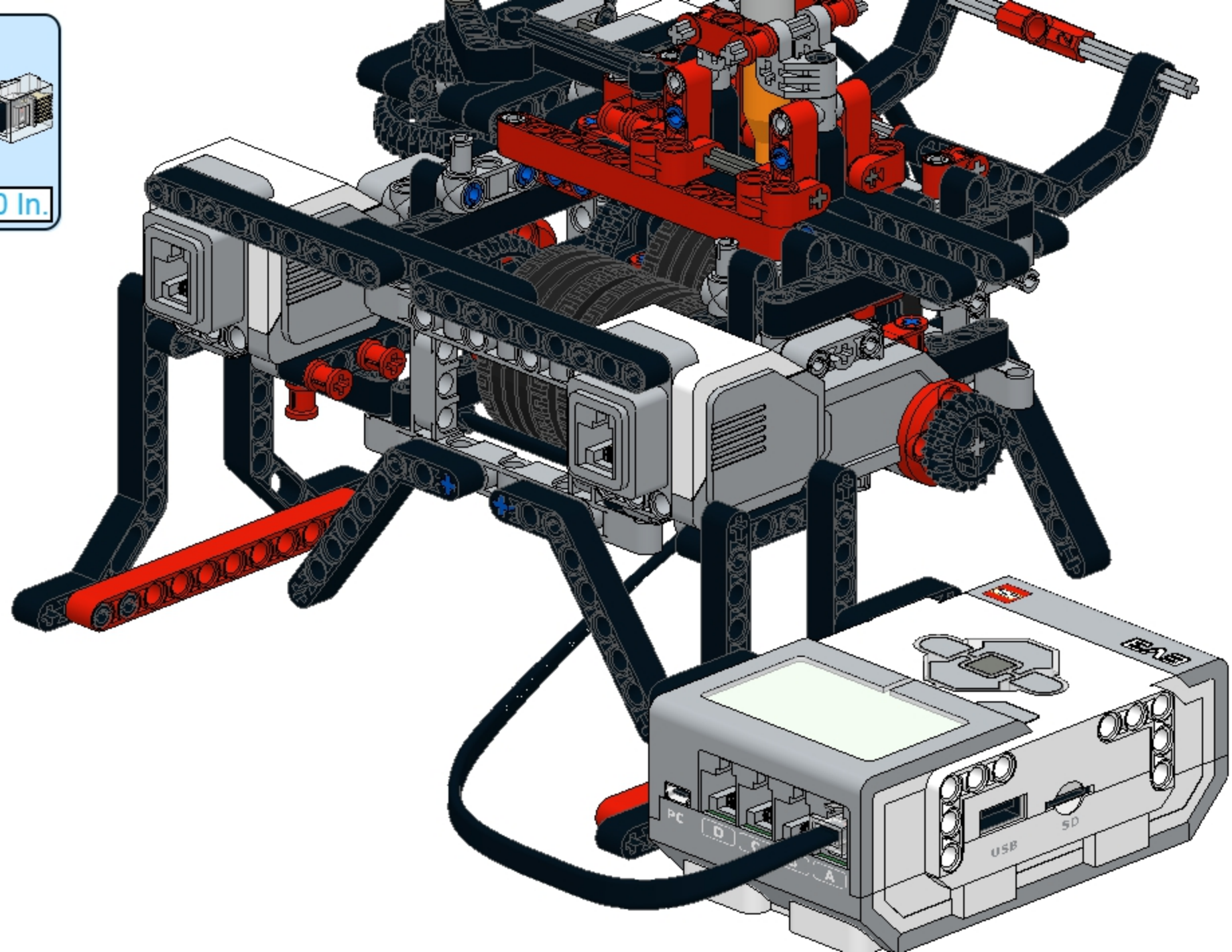
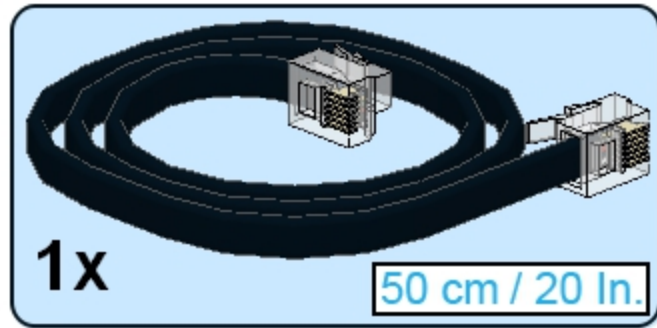
4



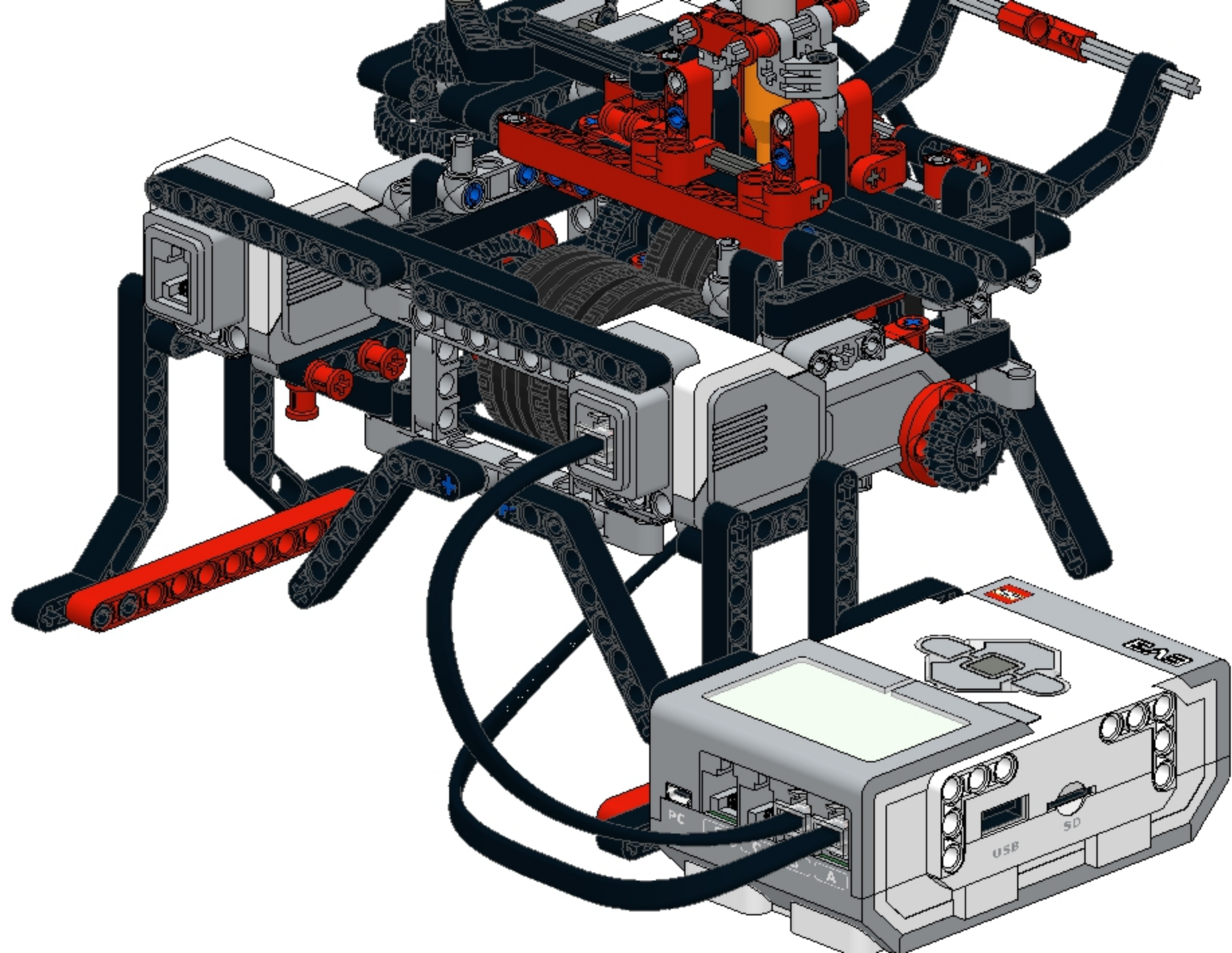
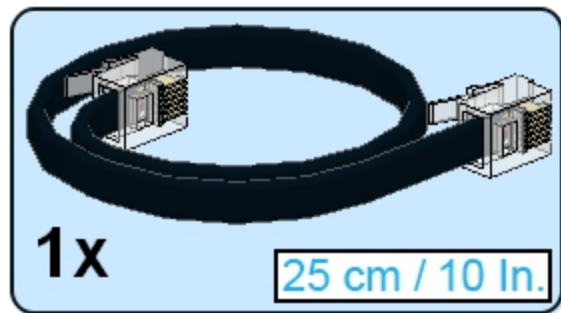
37



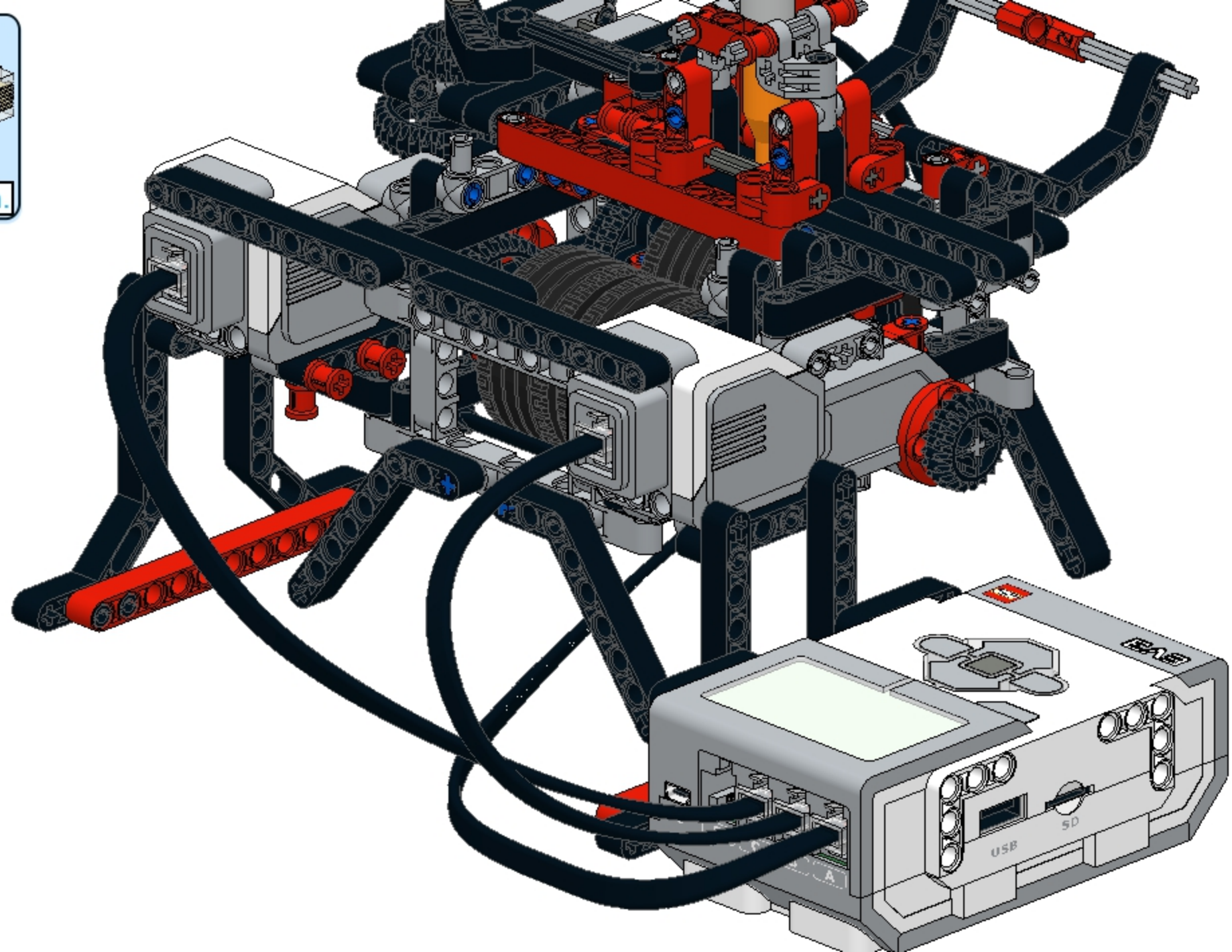
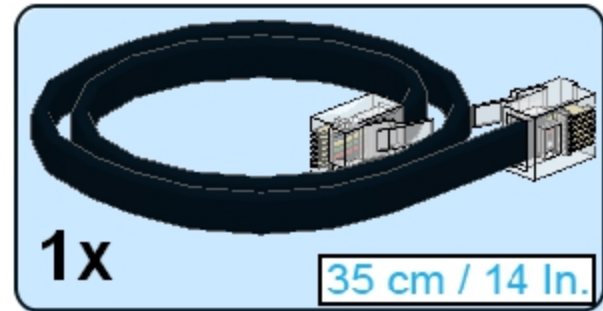
38



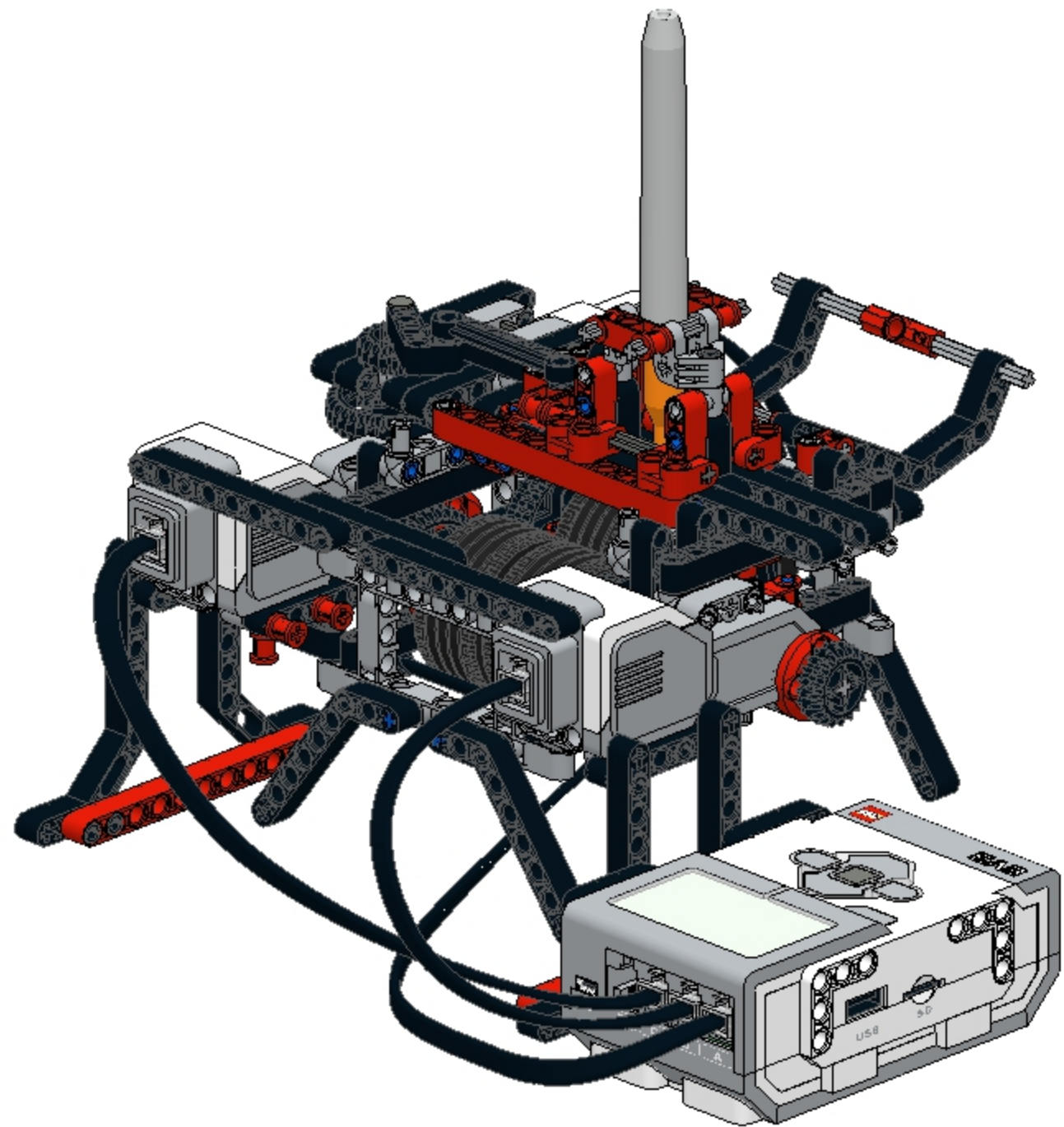
39



40



41



42

