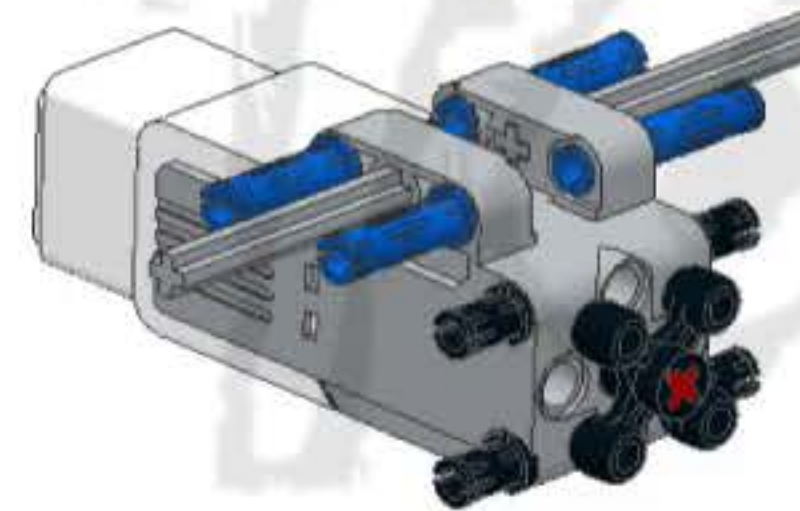
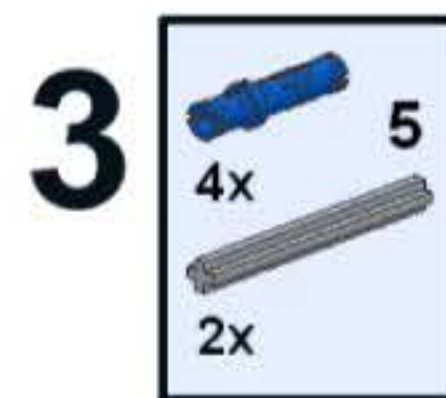
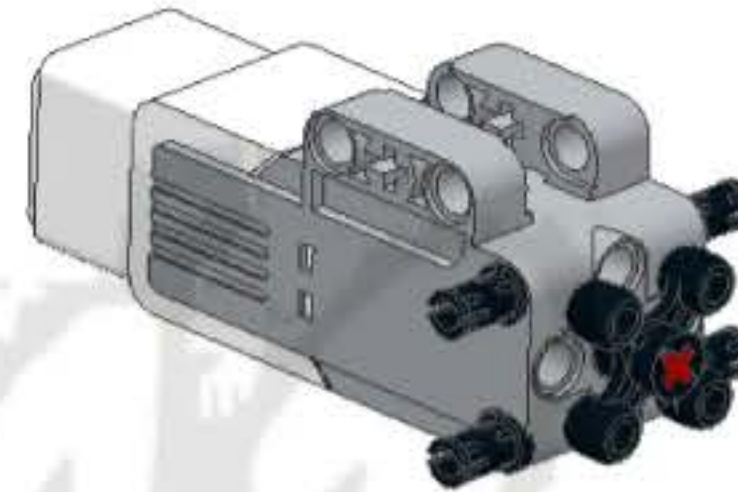
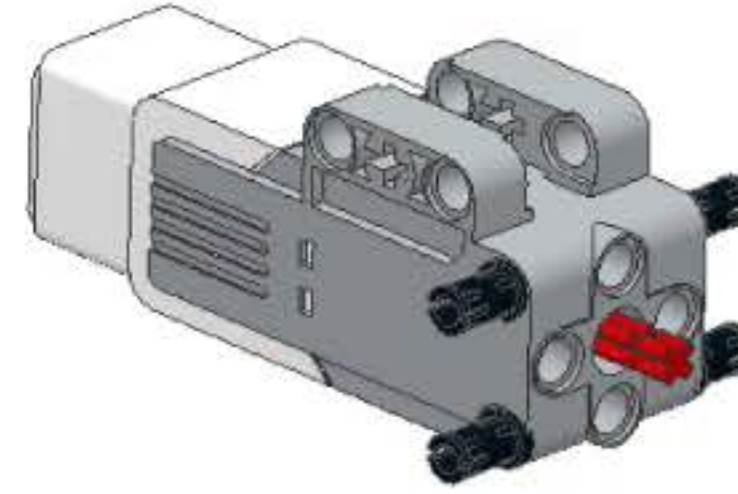
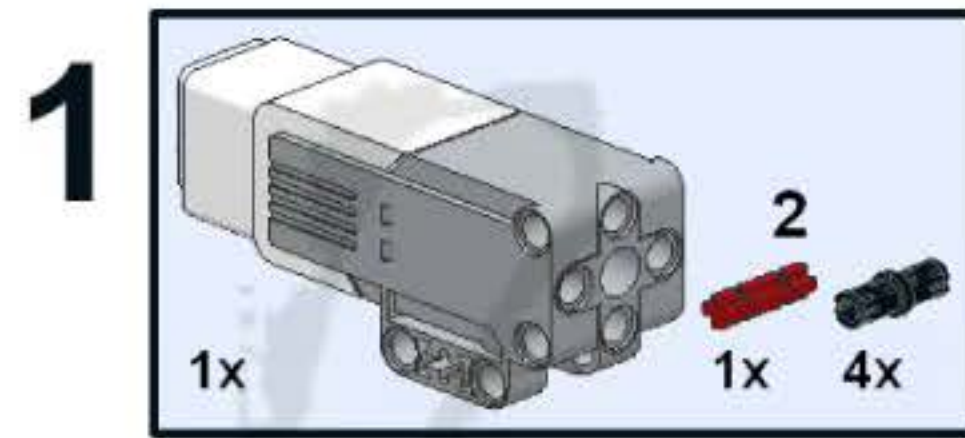
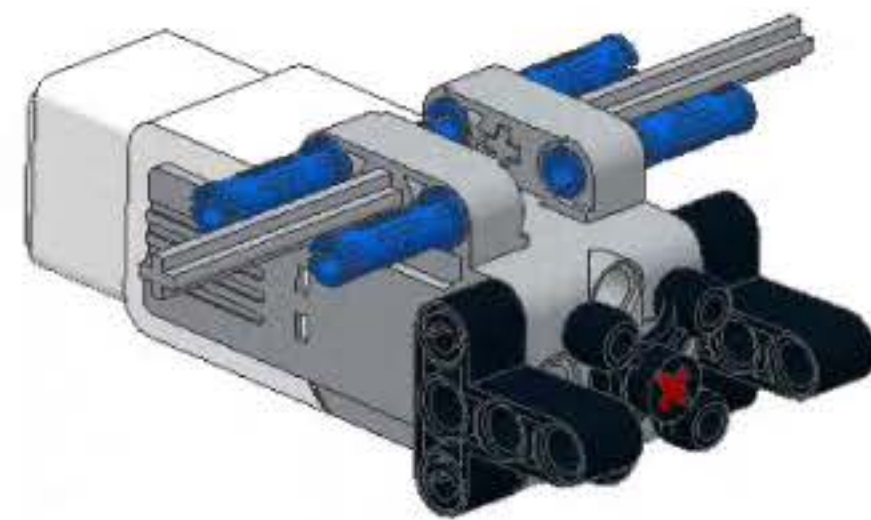




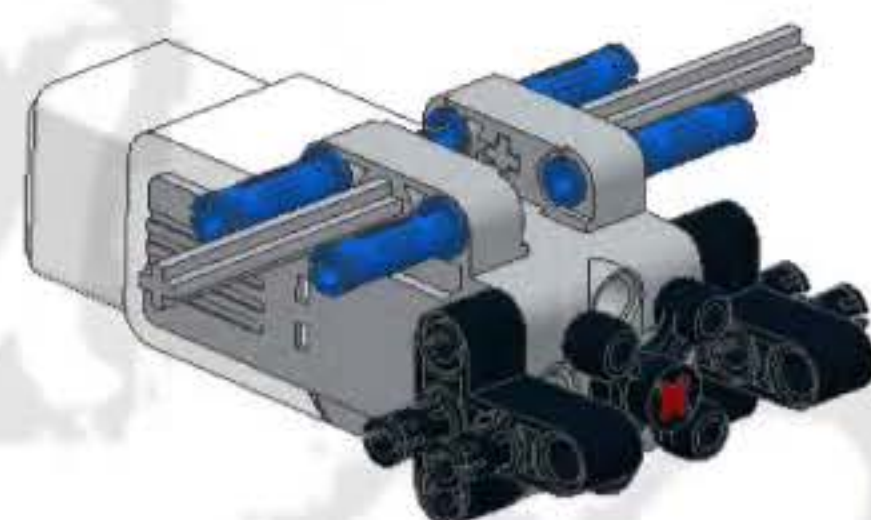
Lau Mo

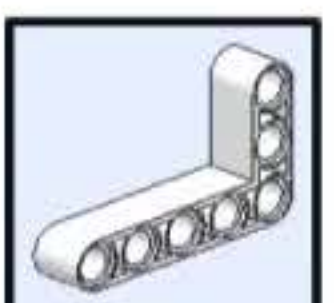


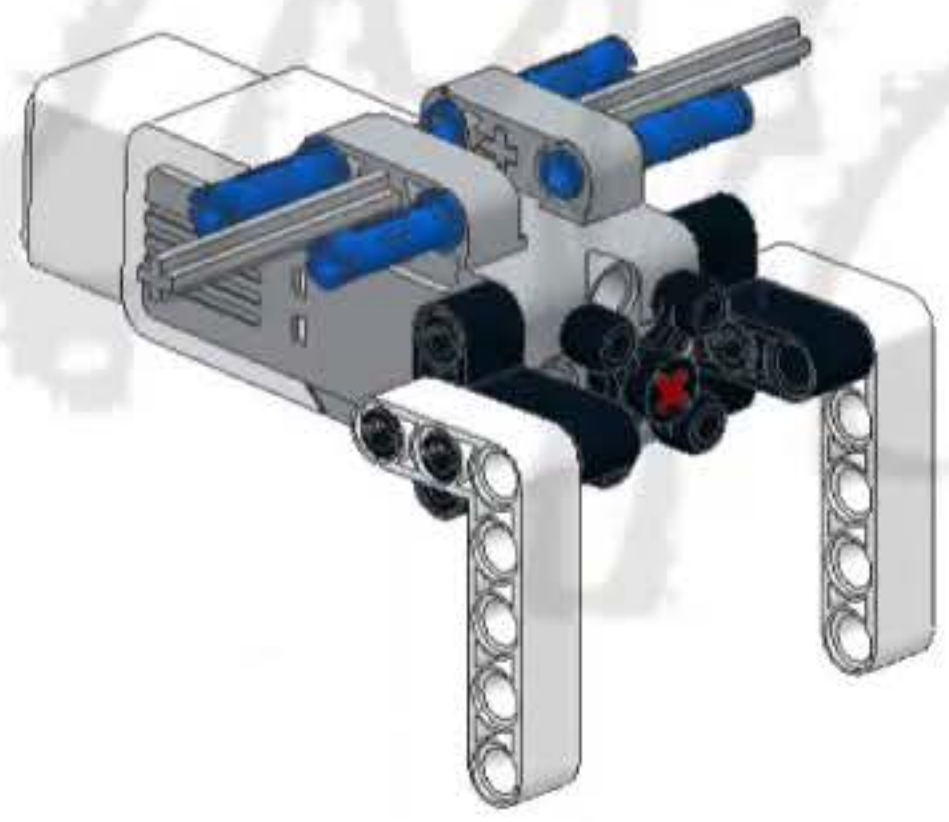
4 
2x

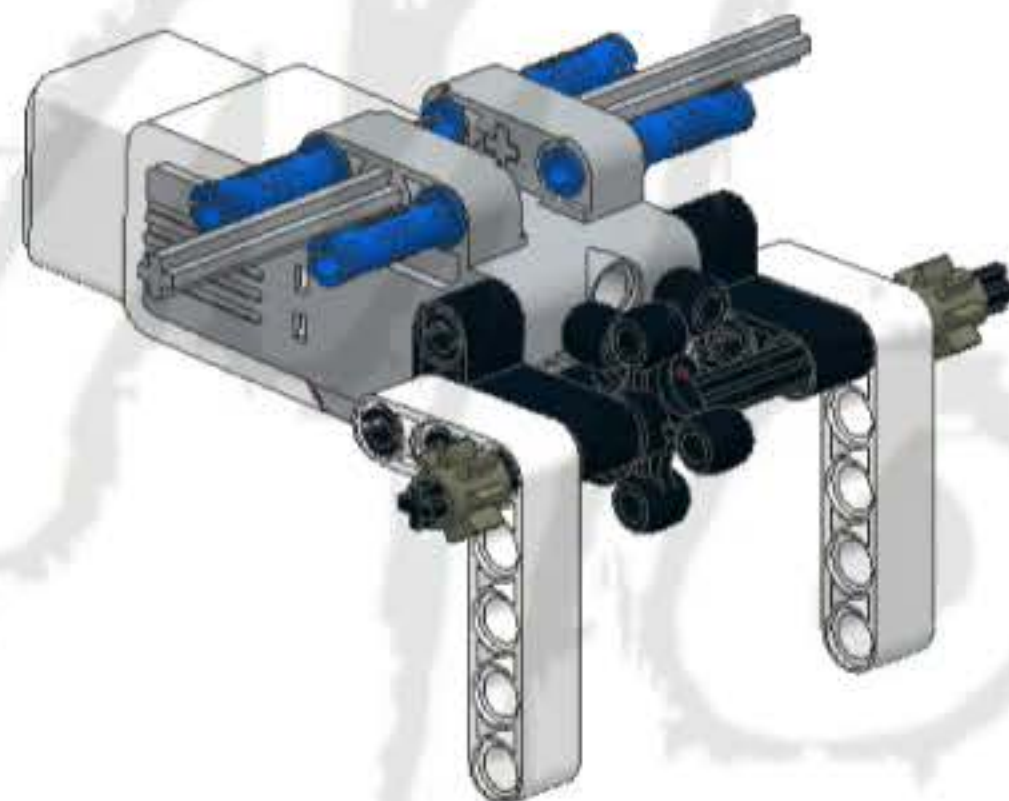
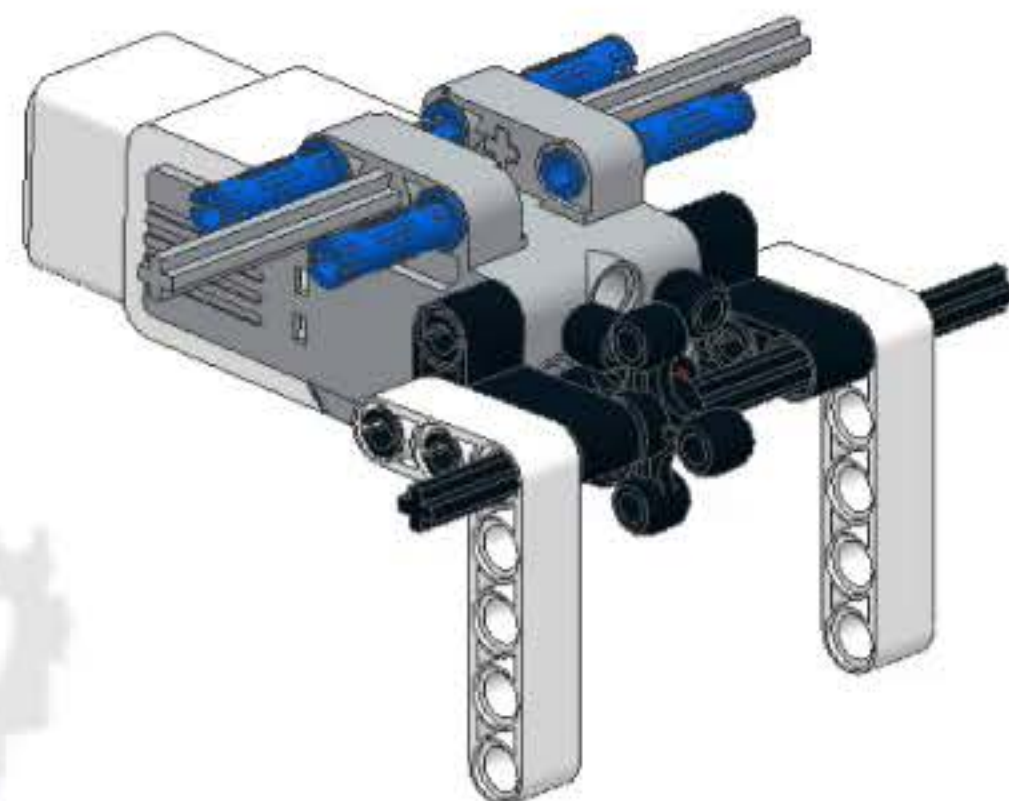
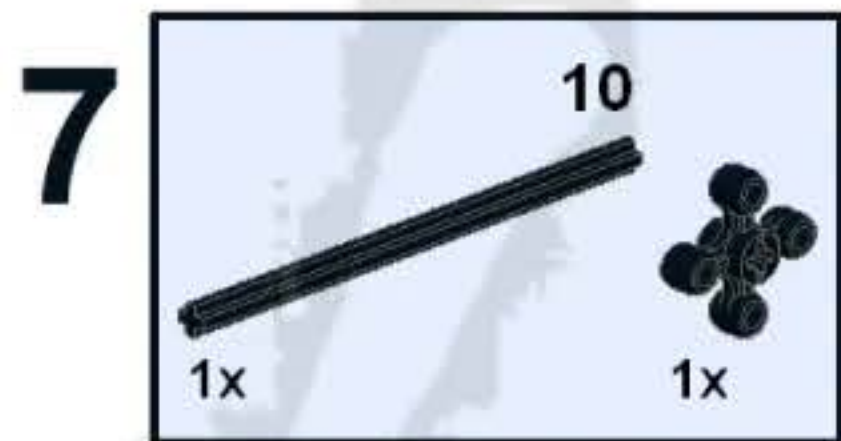


5 
4x

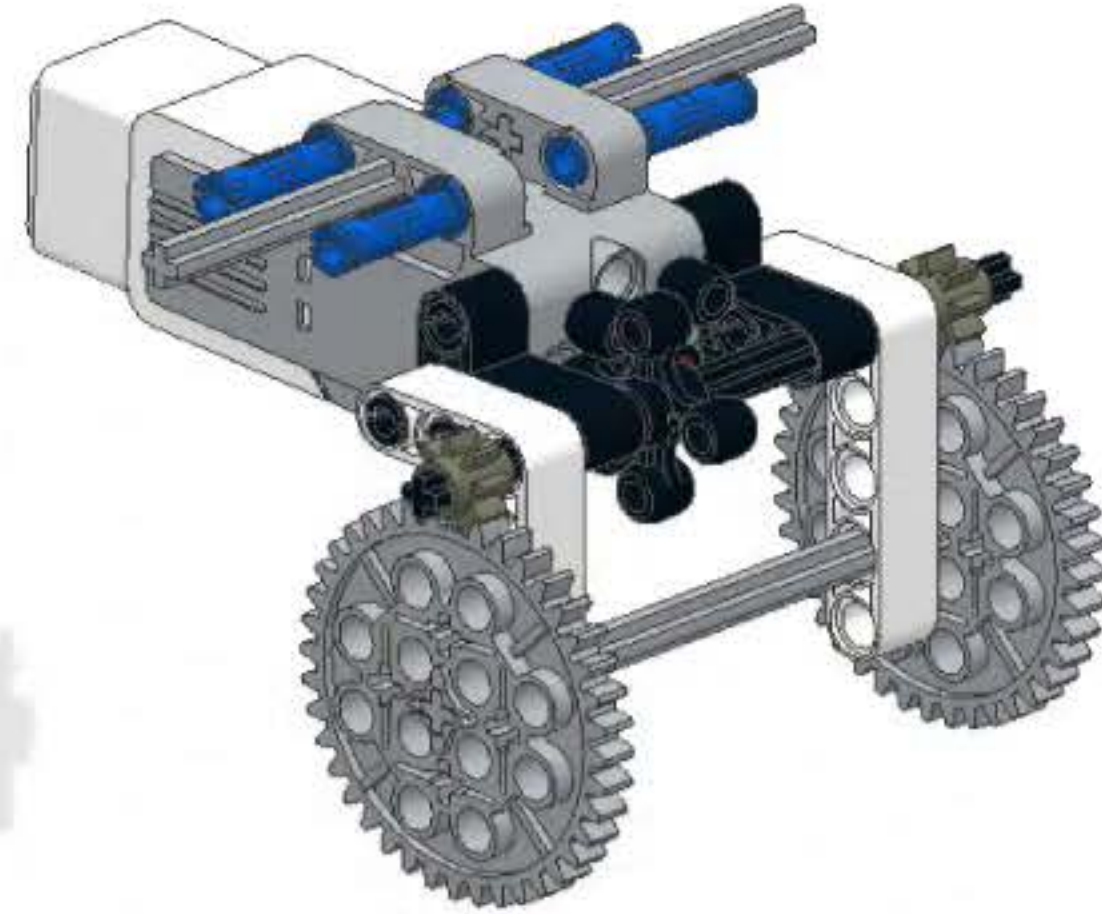
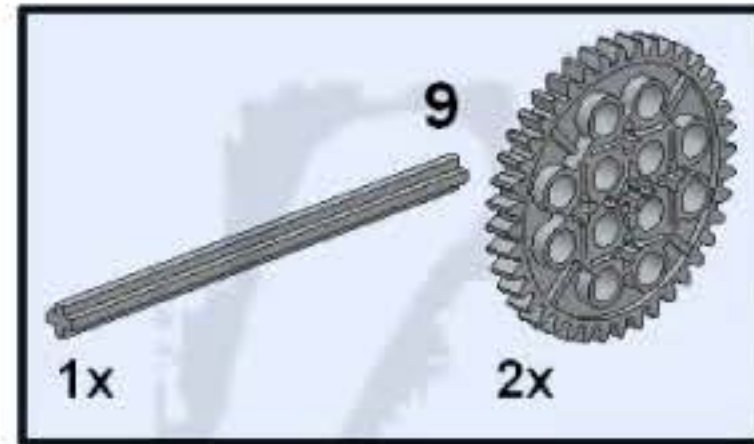


6 
2x

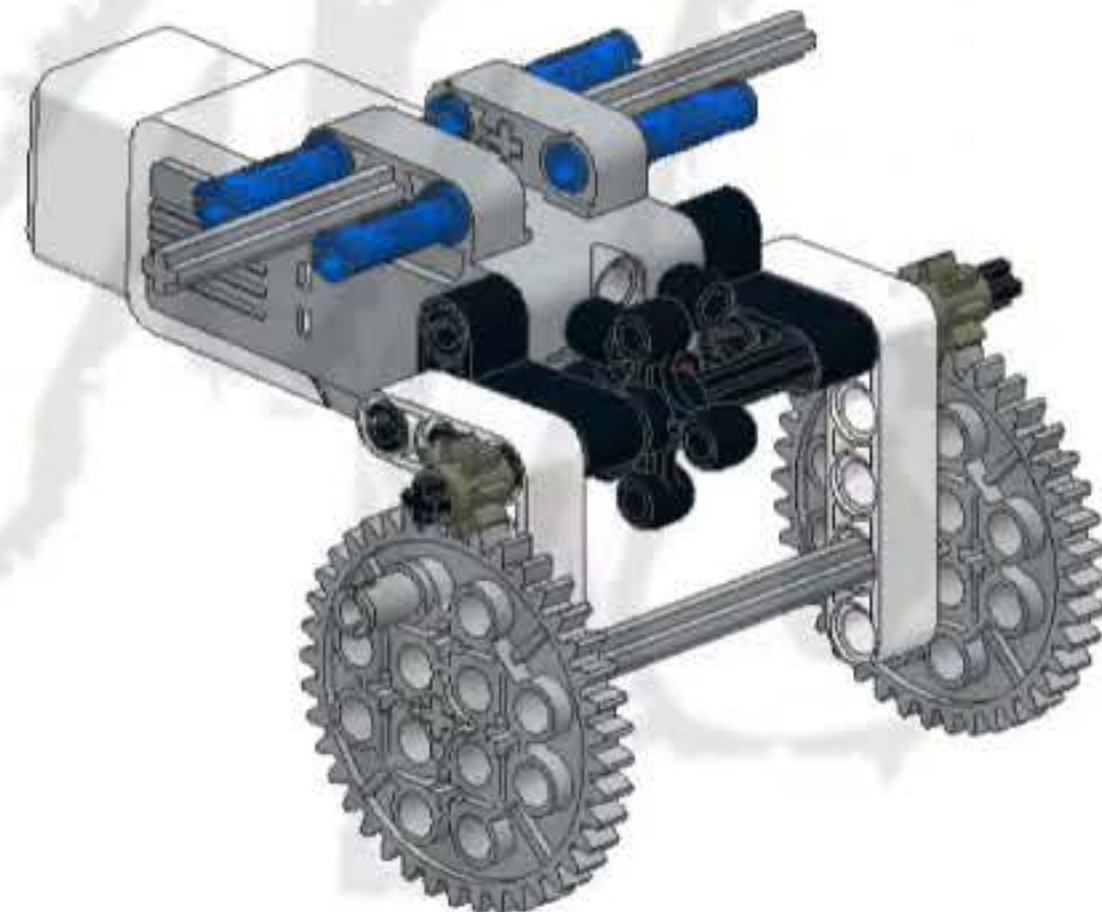




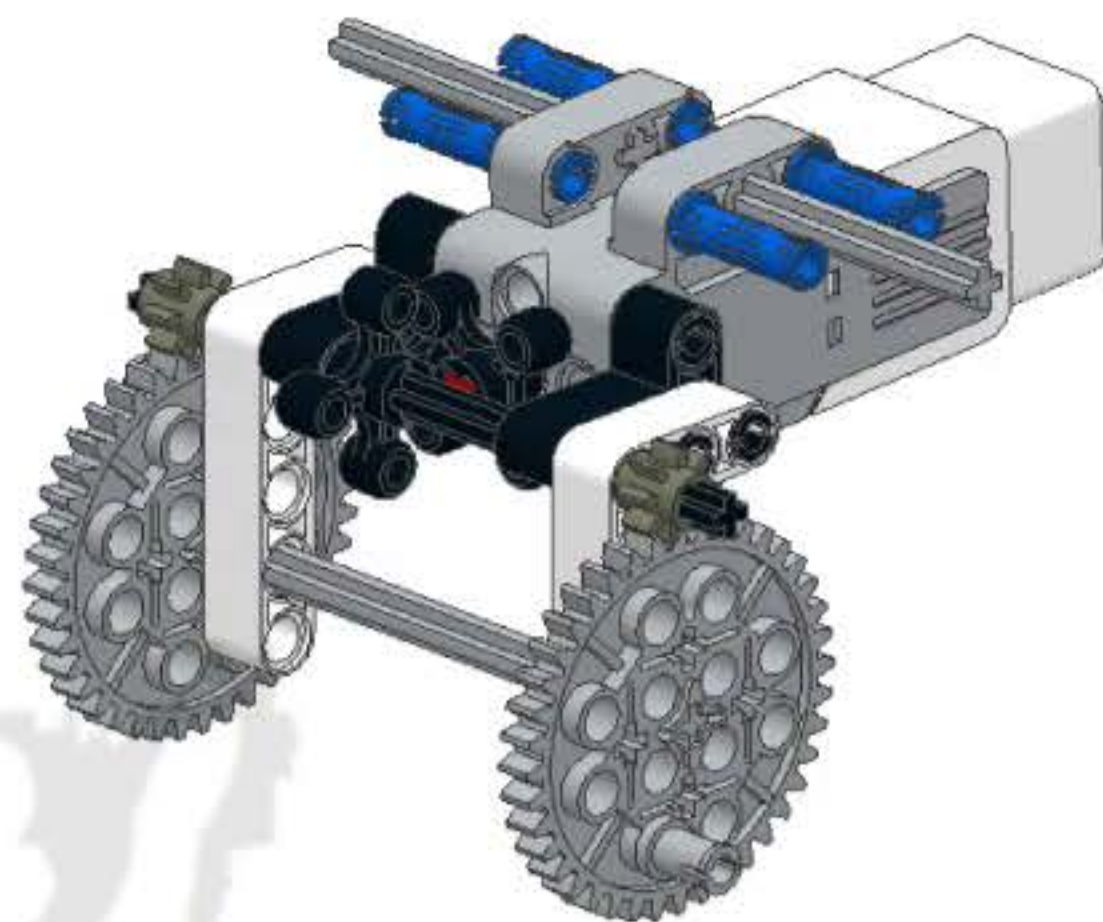
9



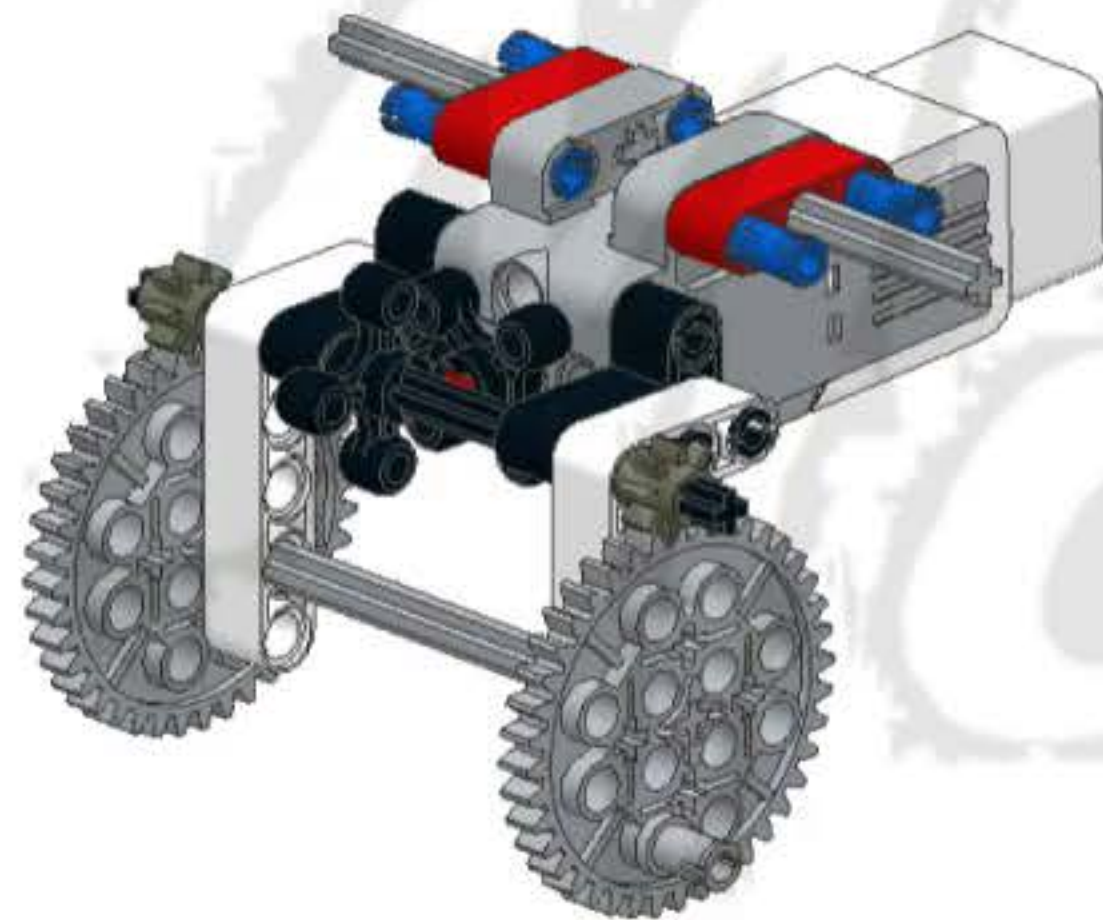
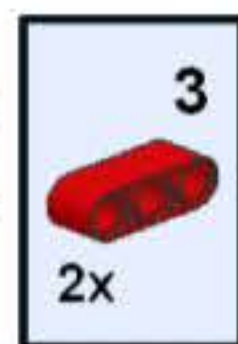
10



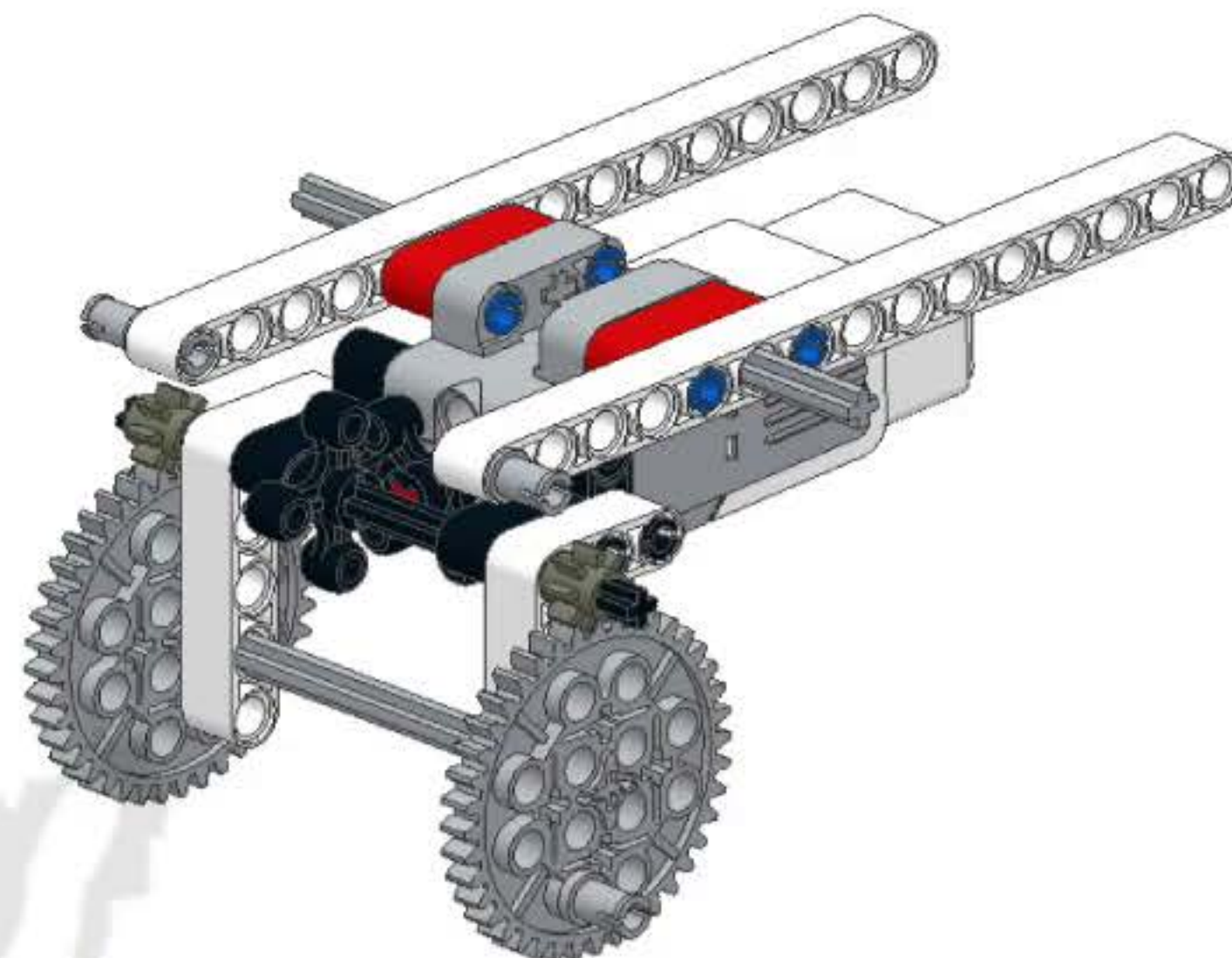
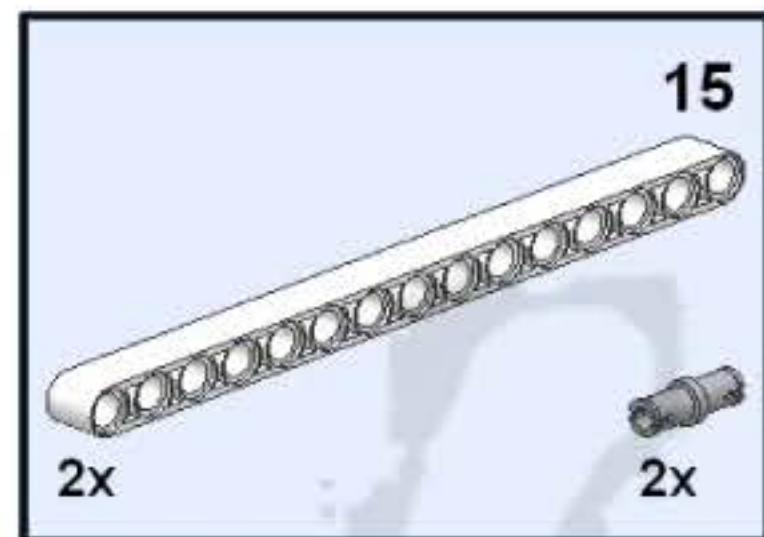
11



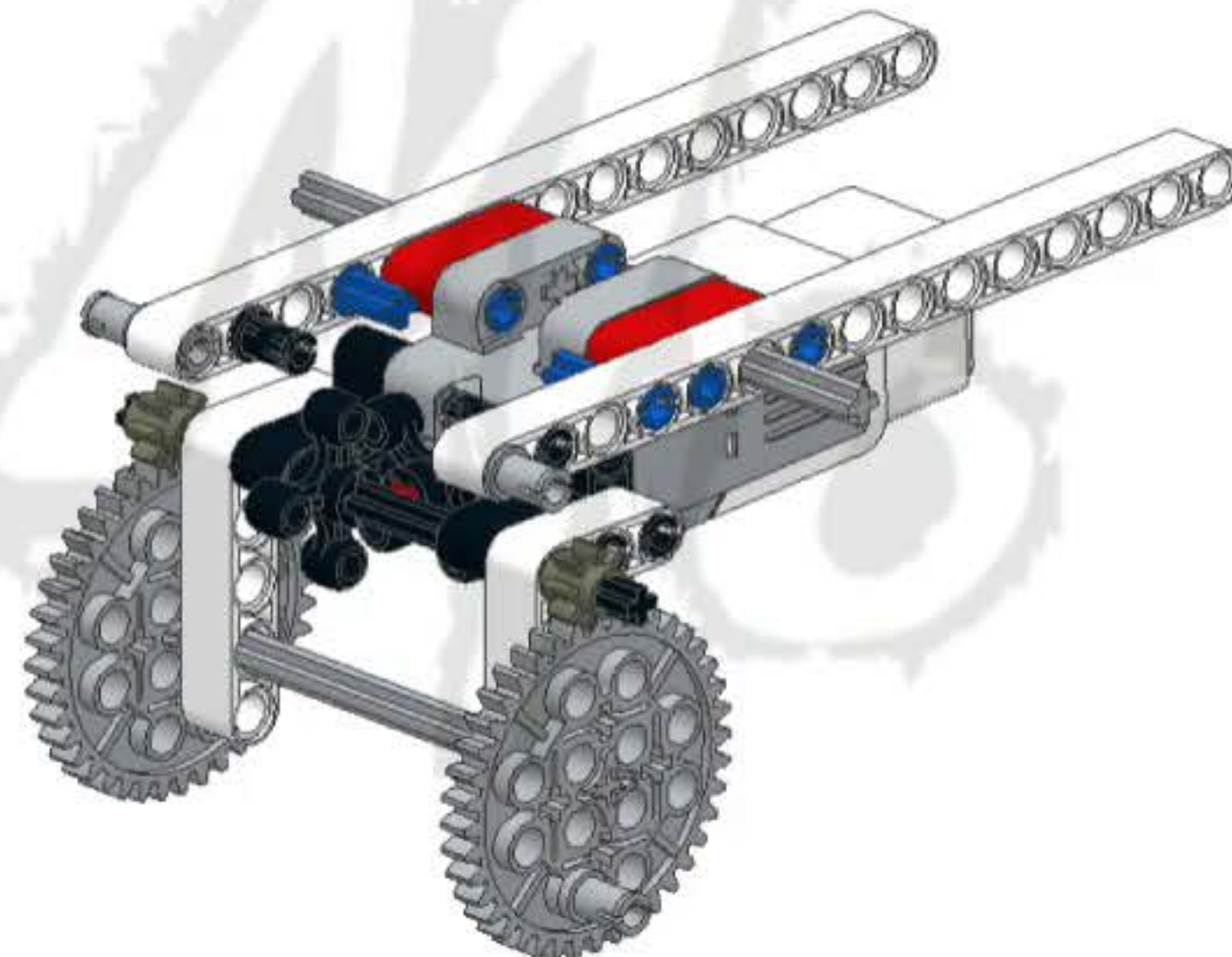
12

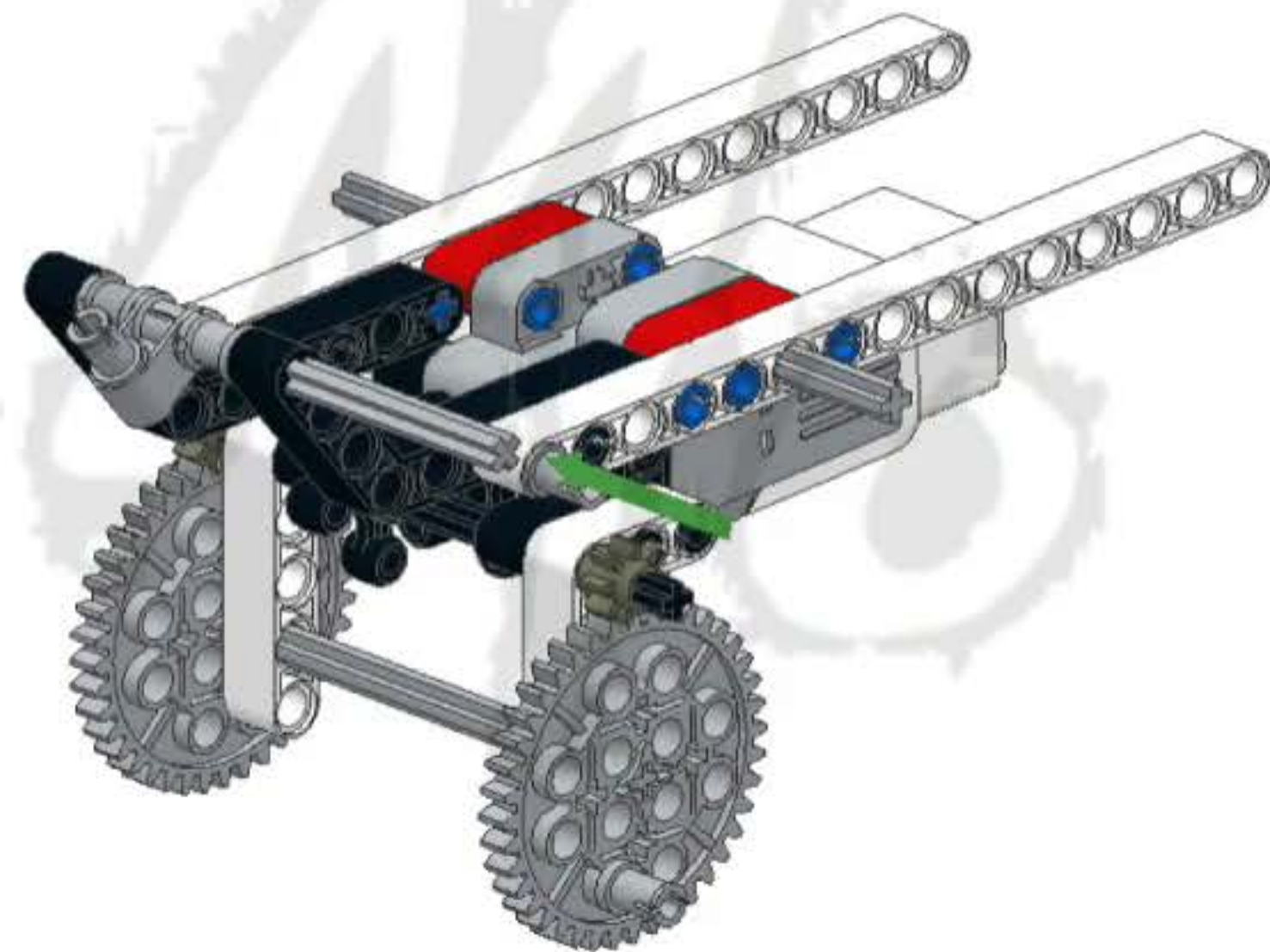
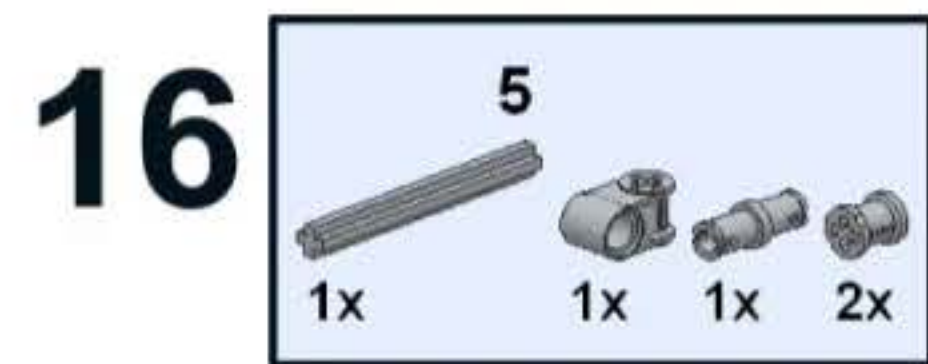
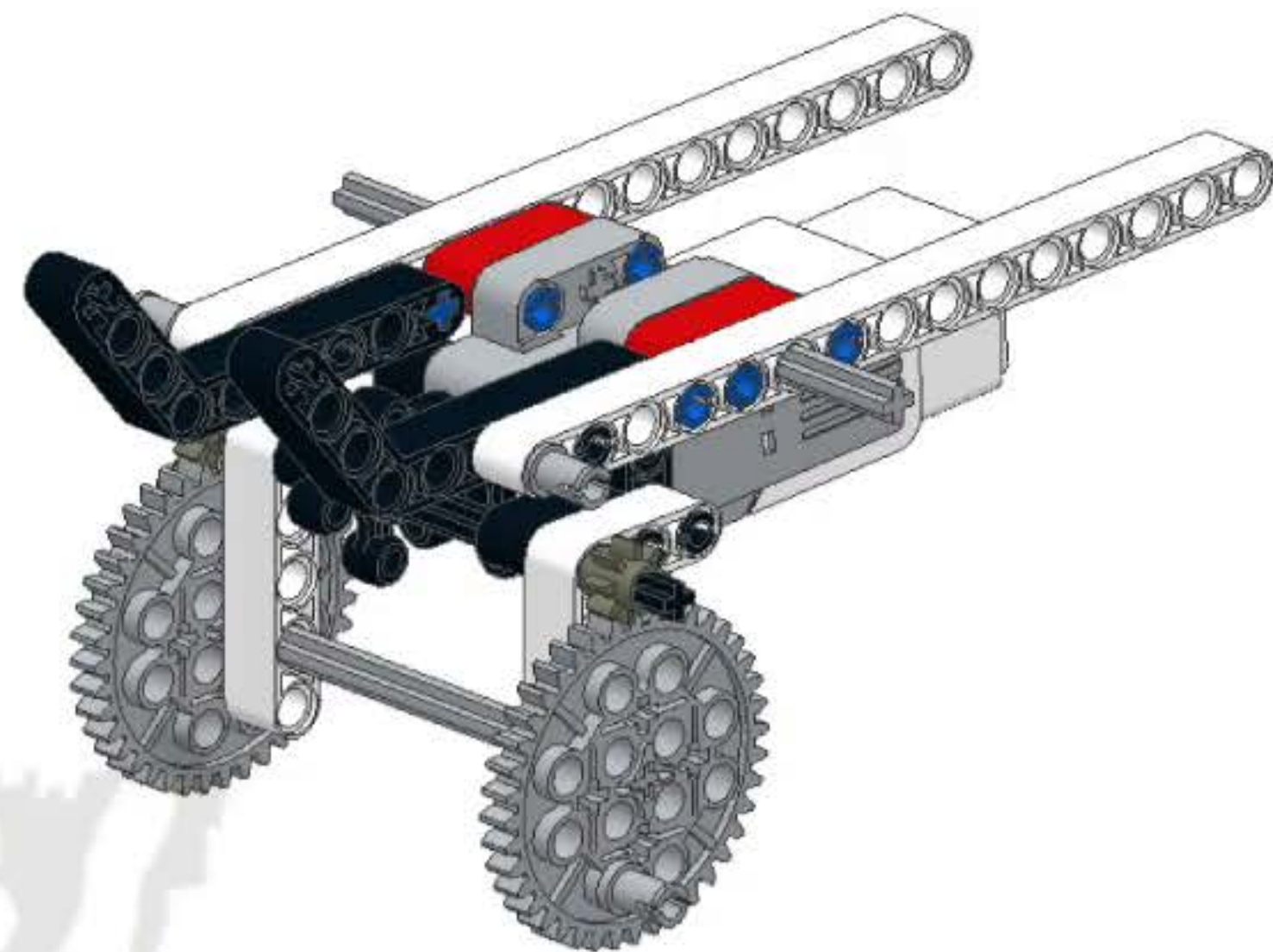
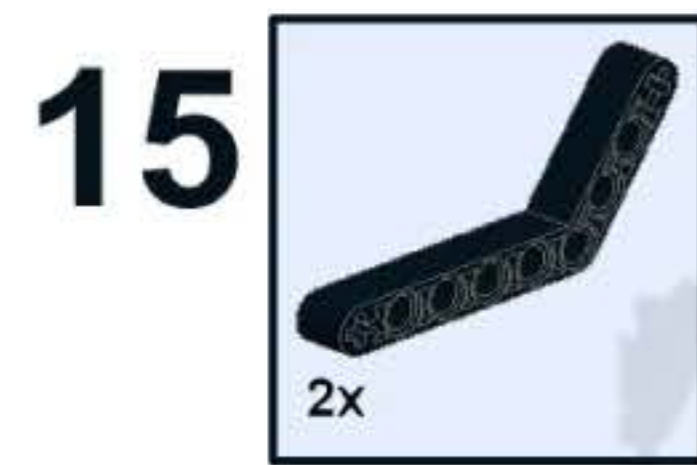


13

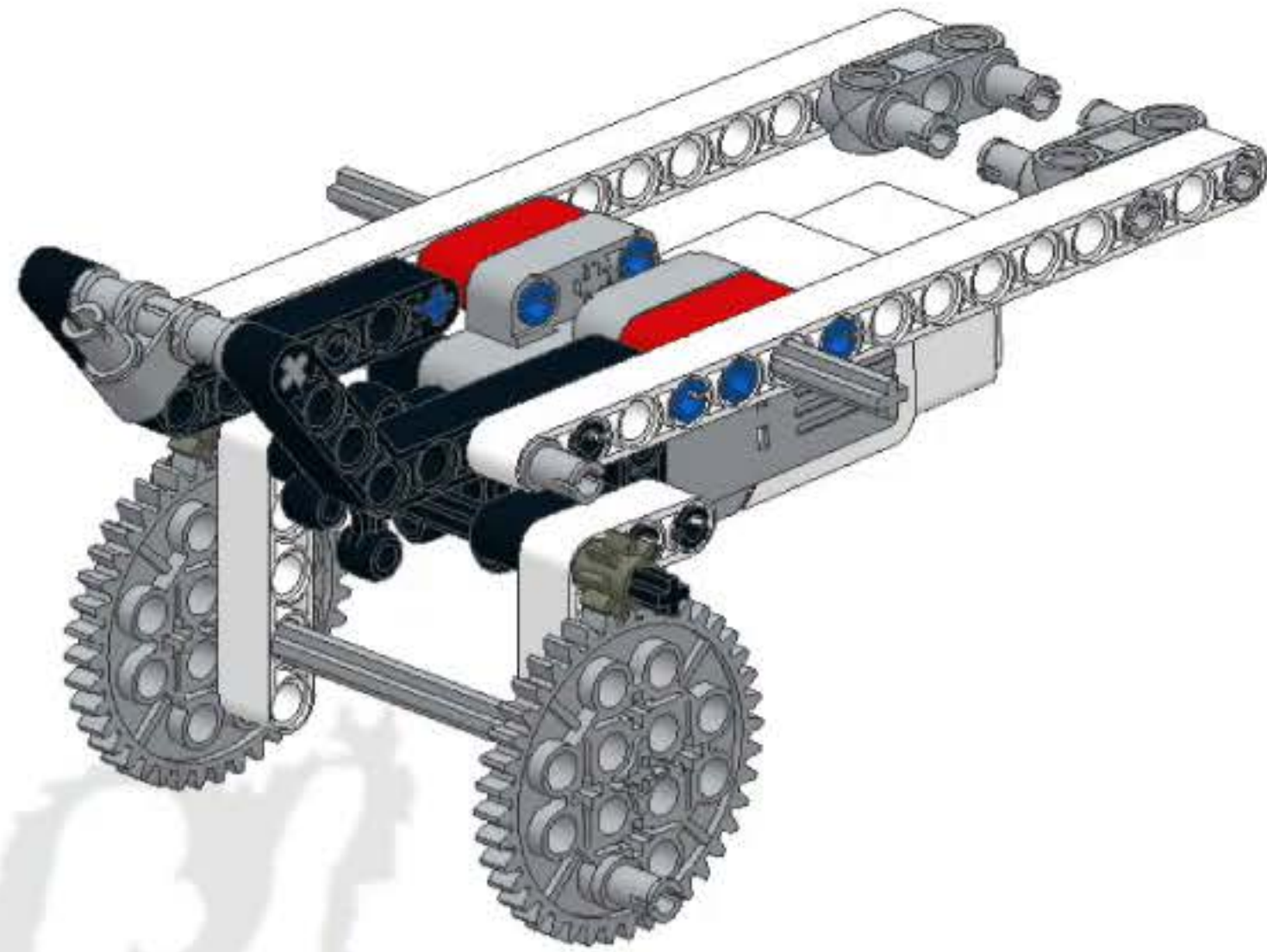
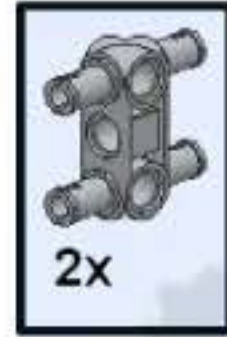


14

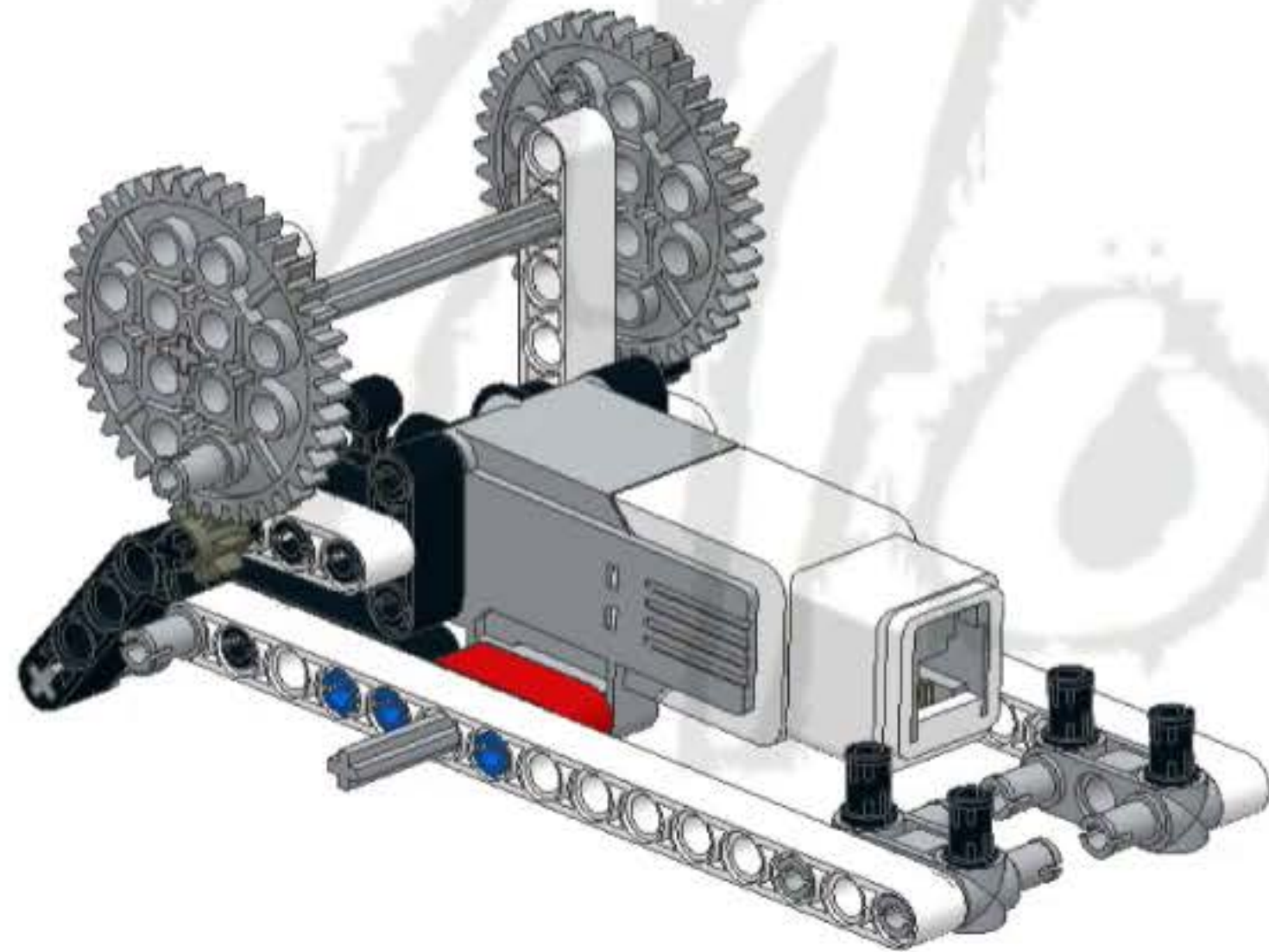




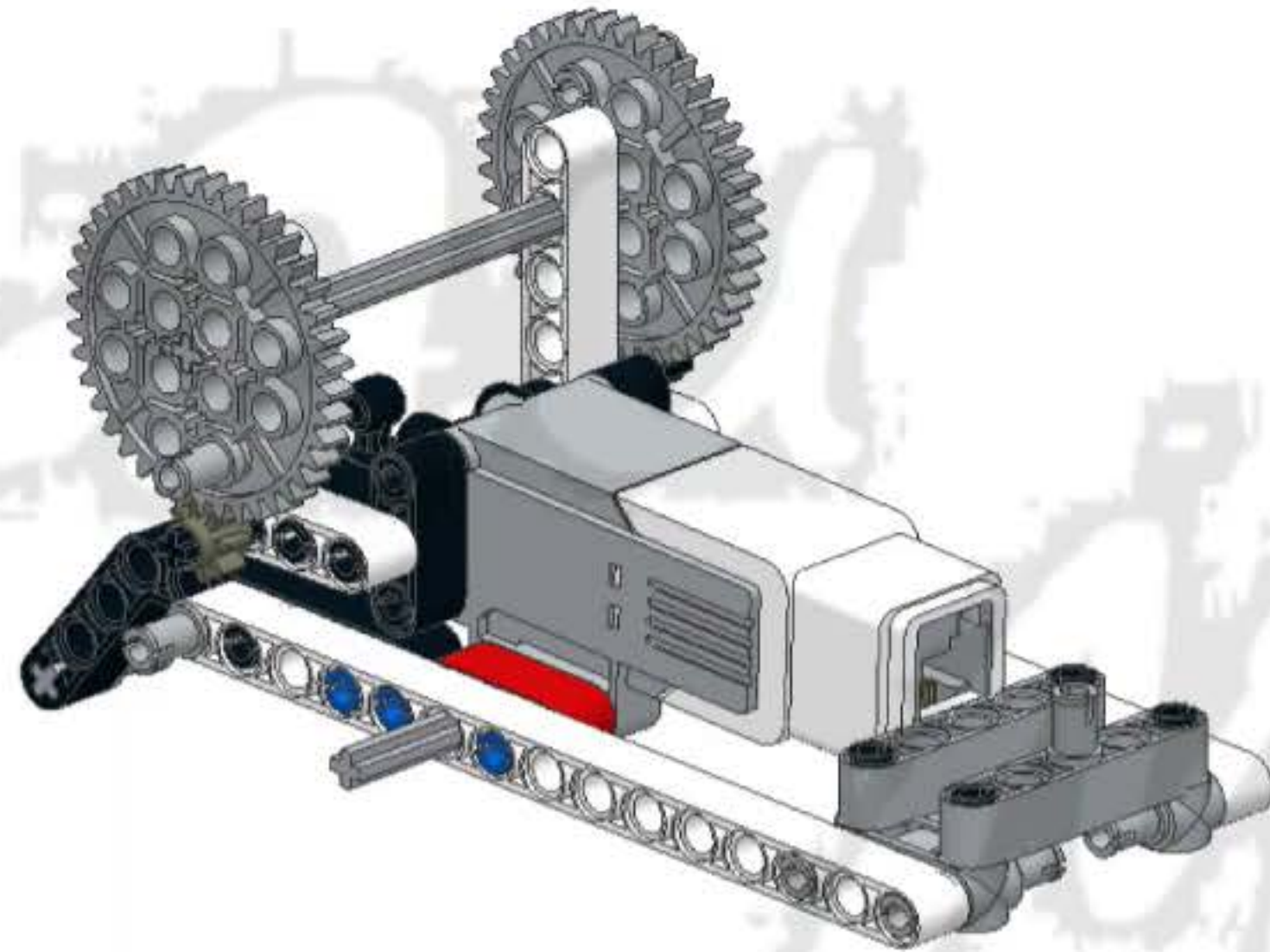
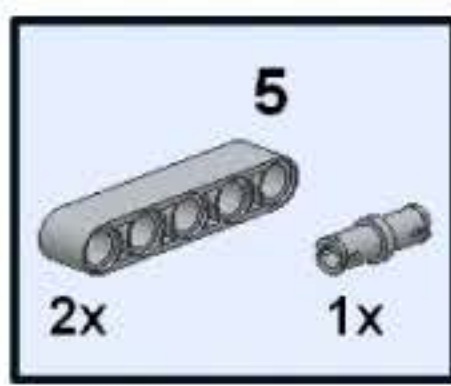
17



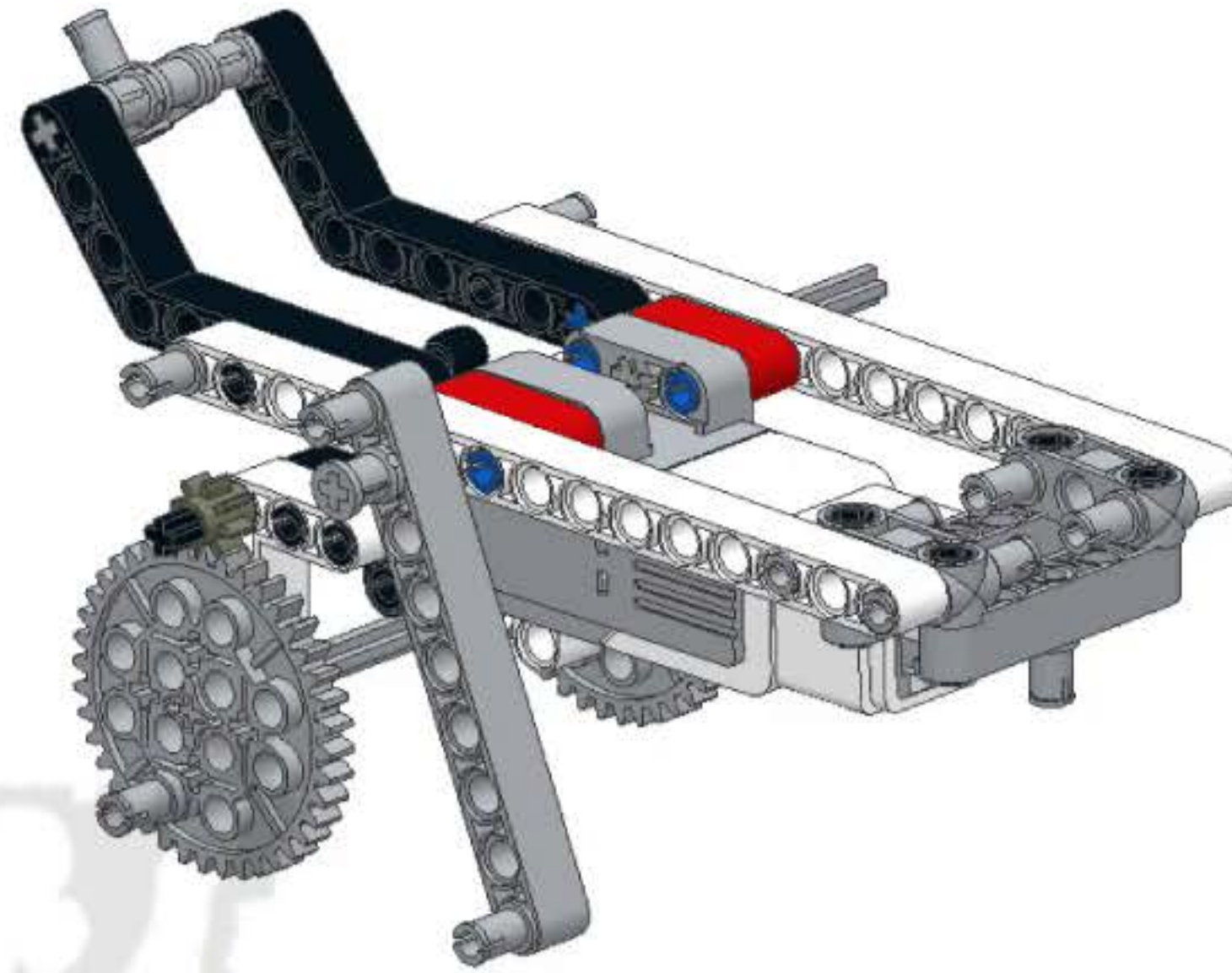
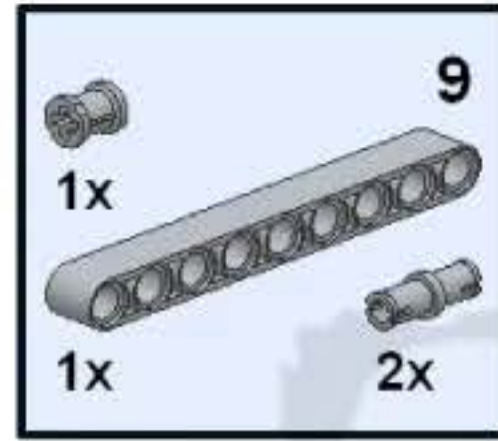
18



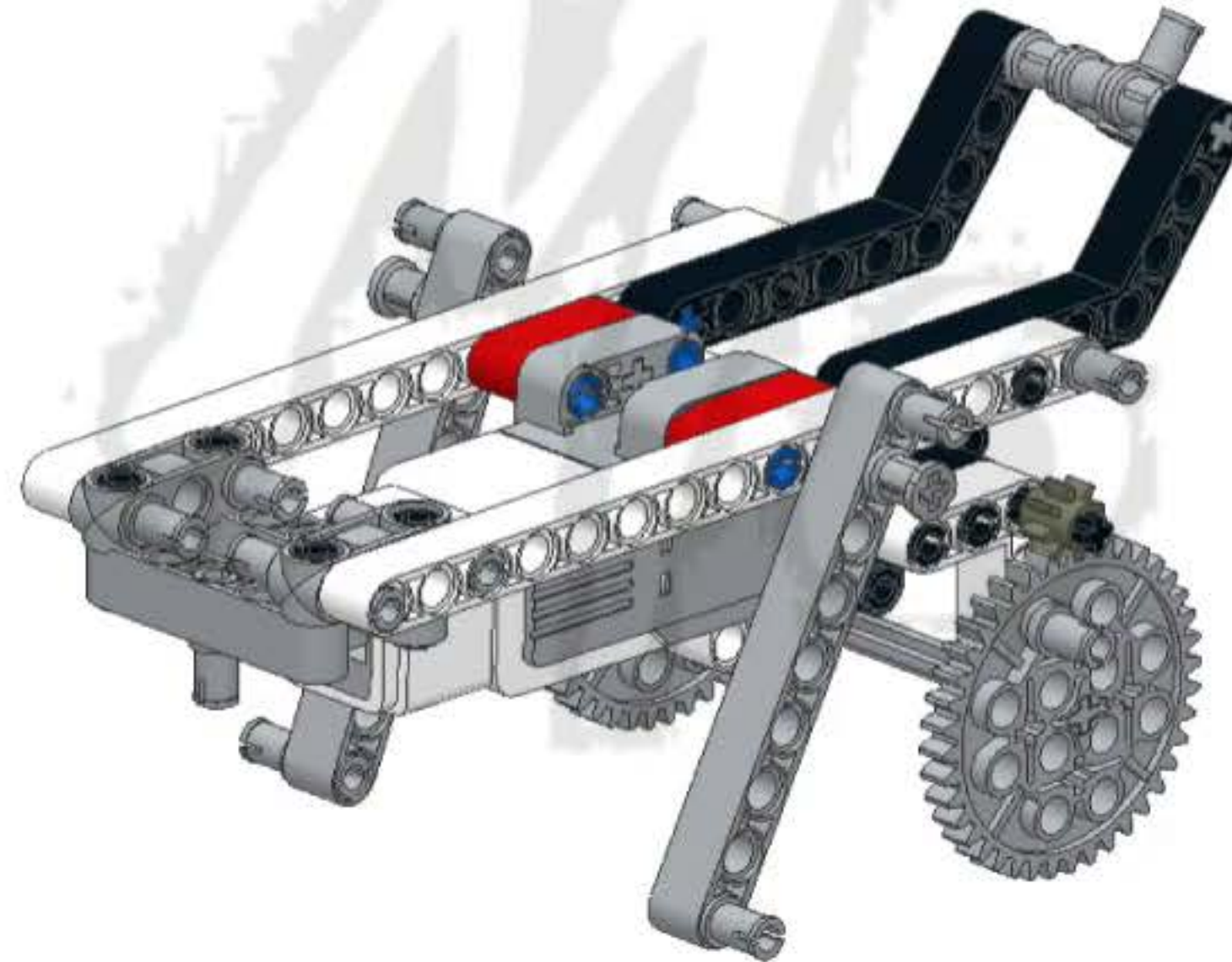
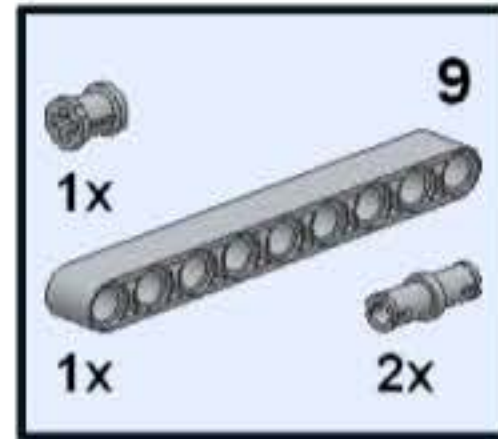
19



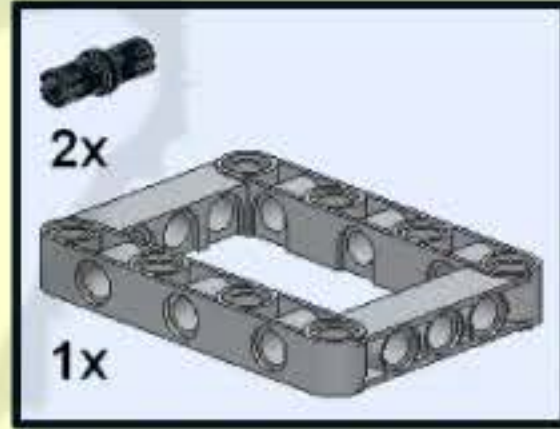
20



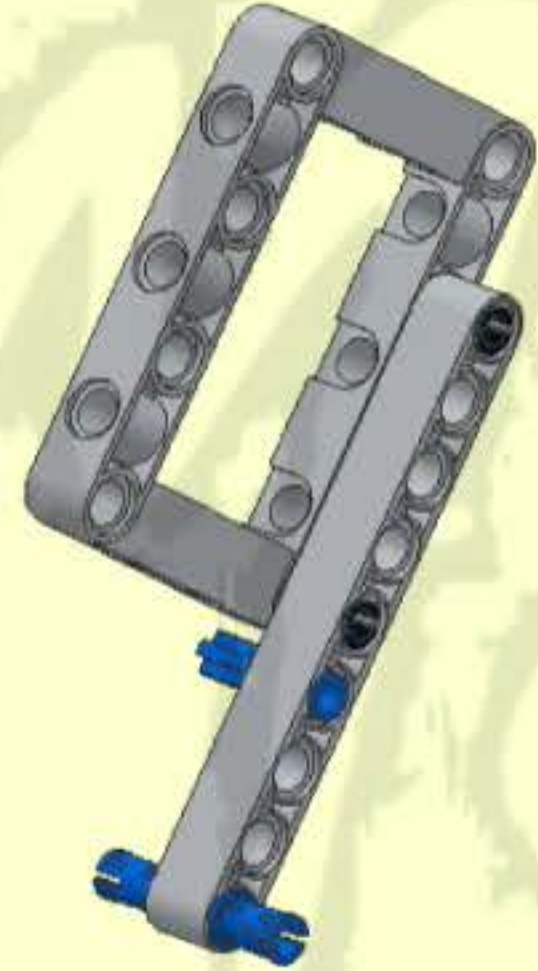
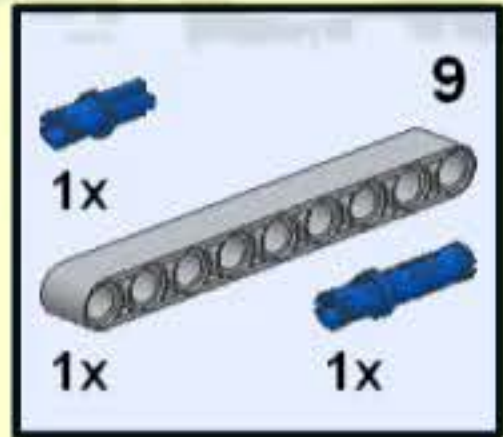
21



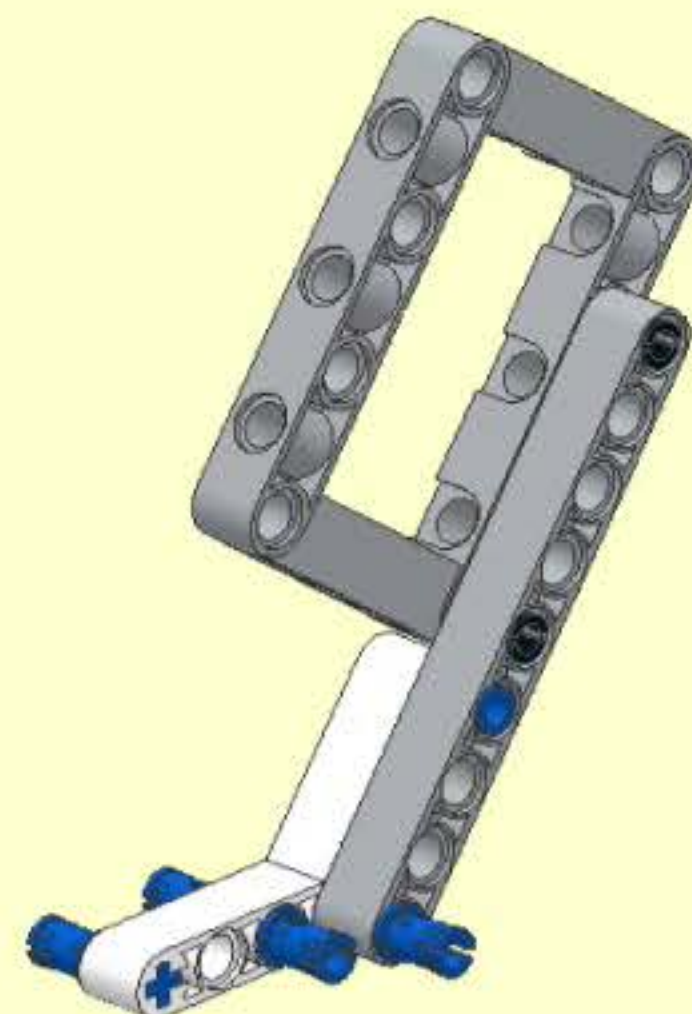
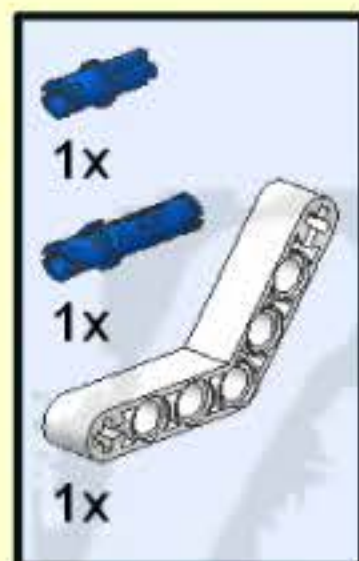
1



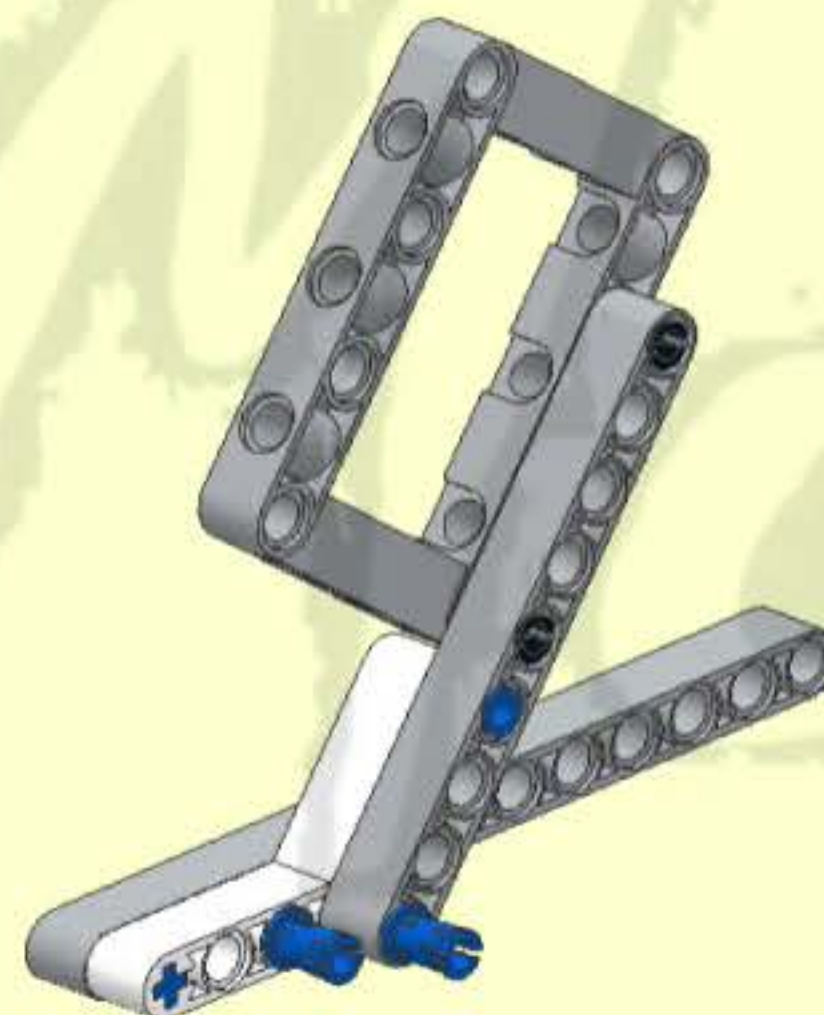
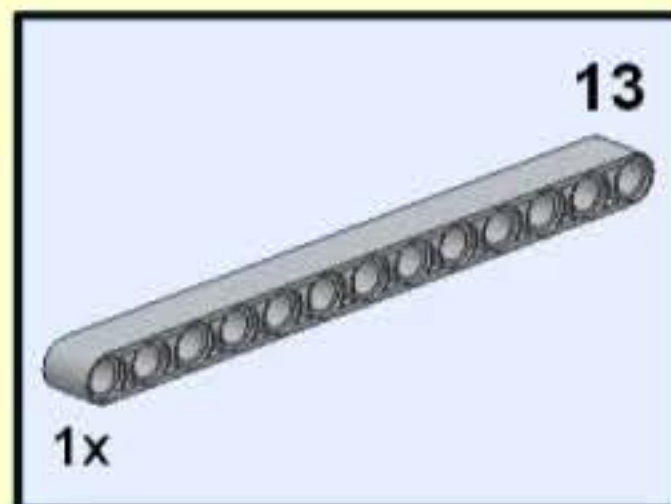
2



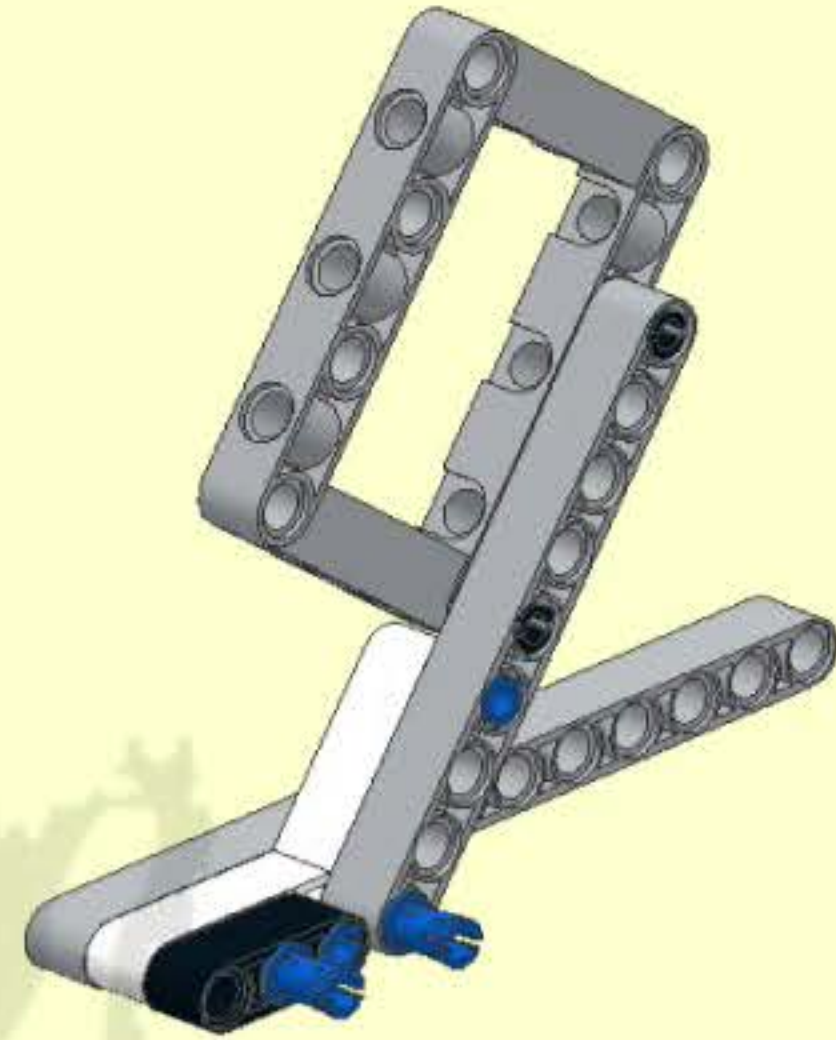
3



4



5



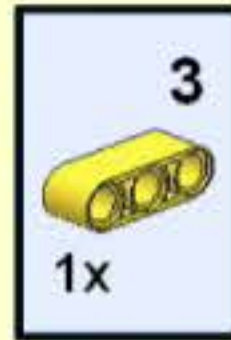
6



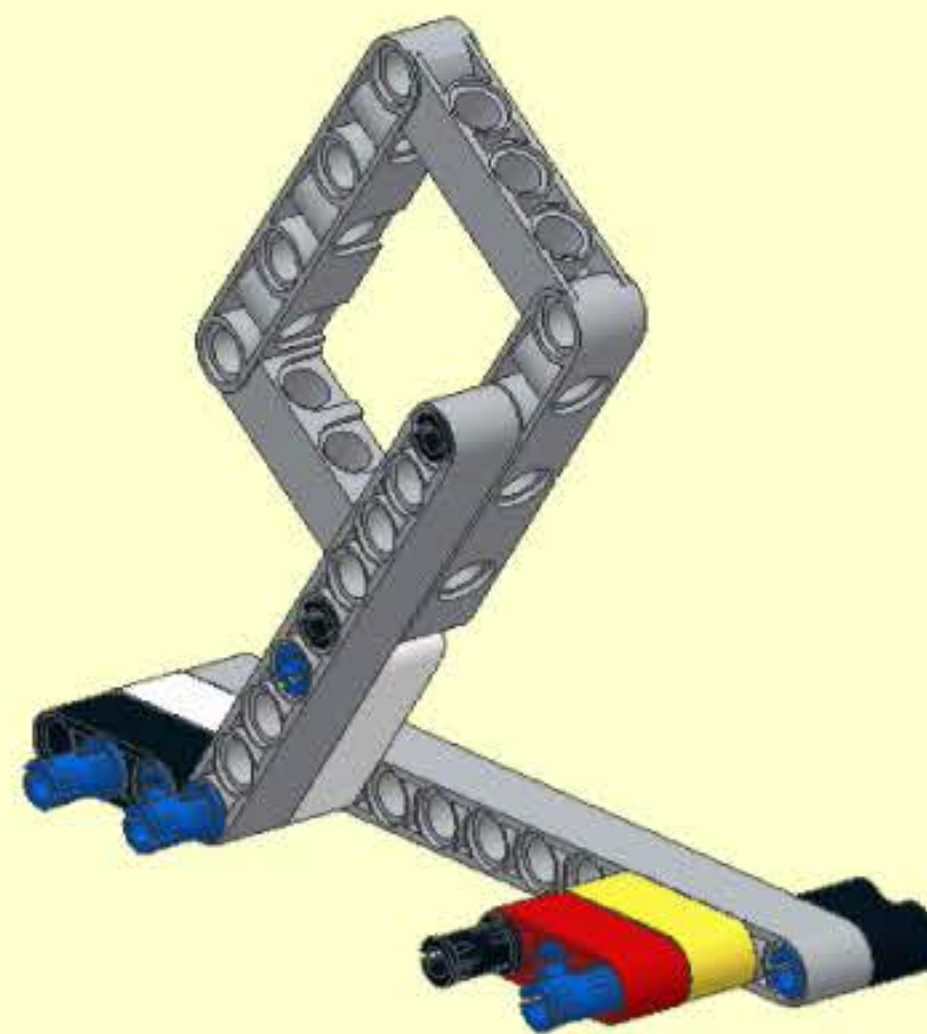
7



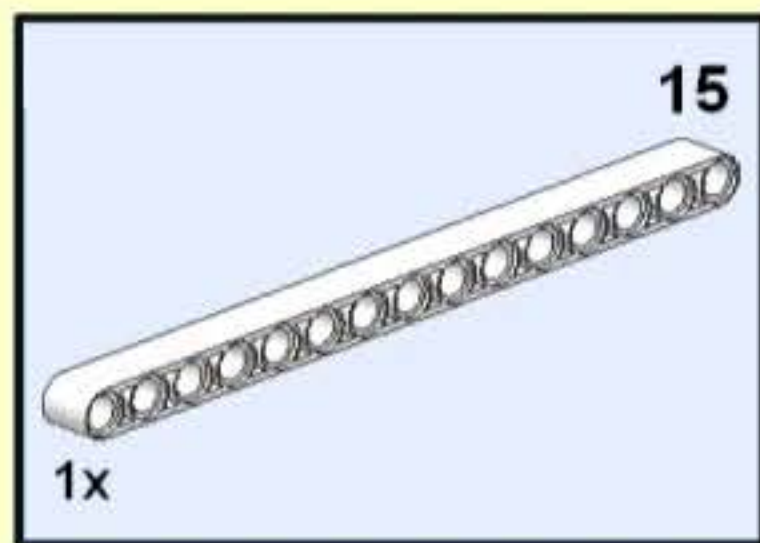
8

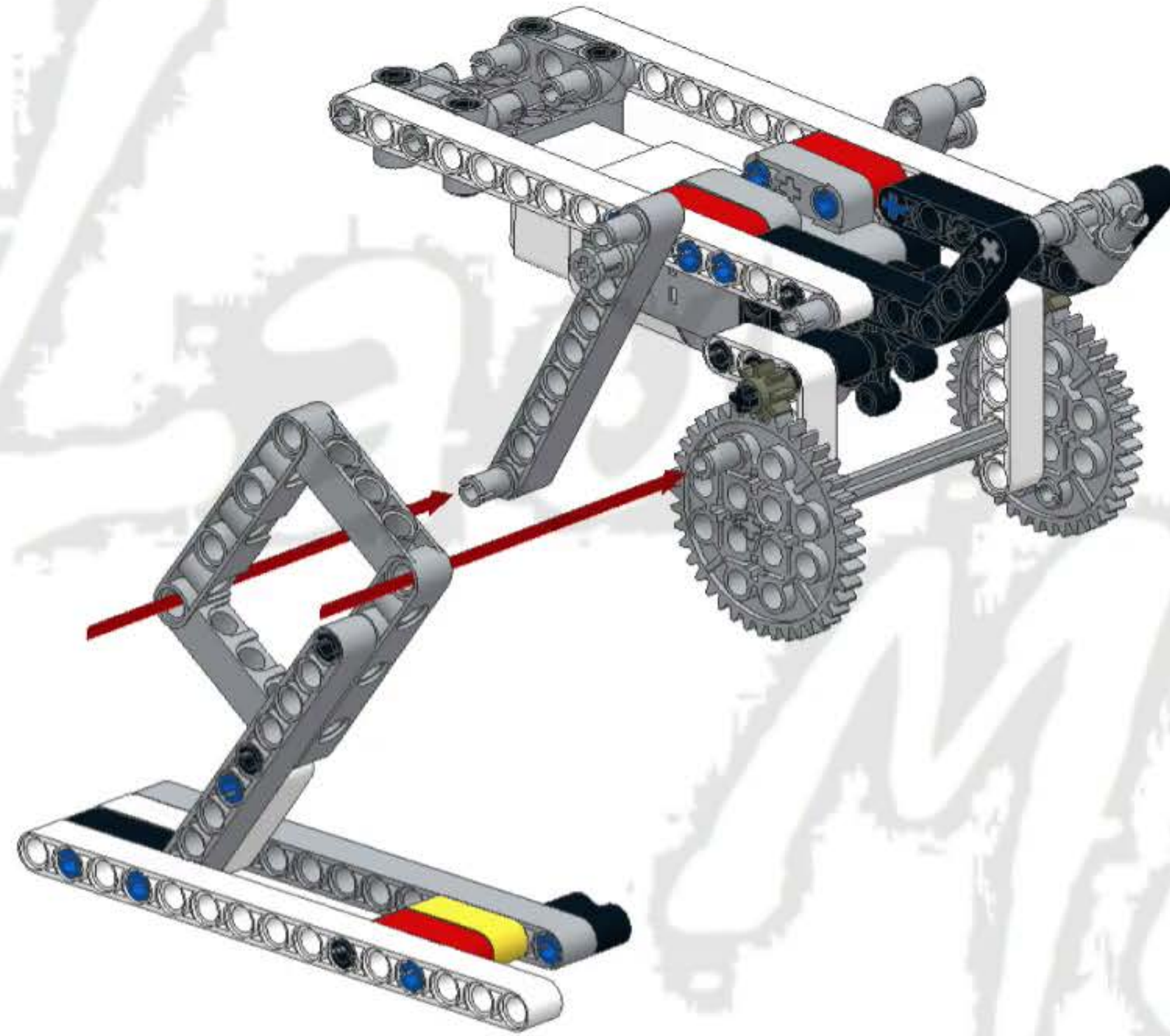


9



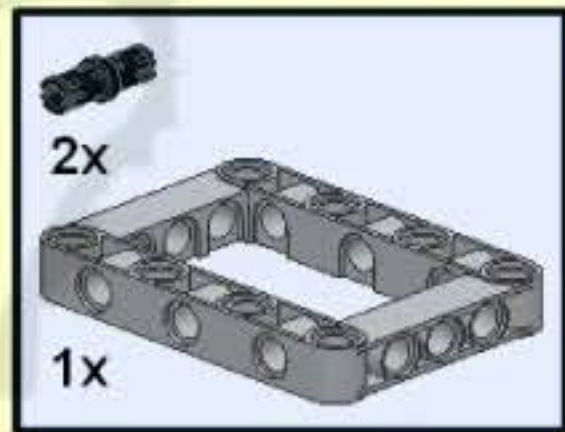
10



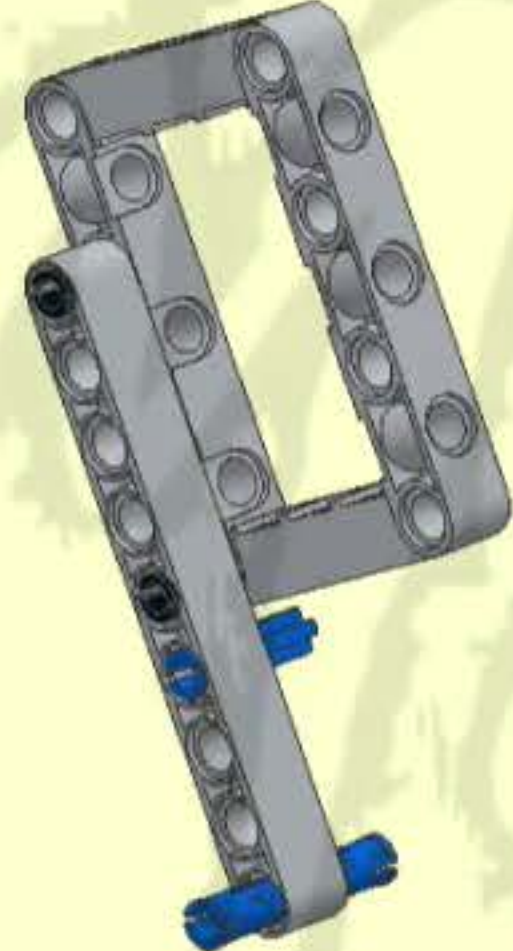
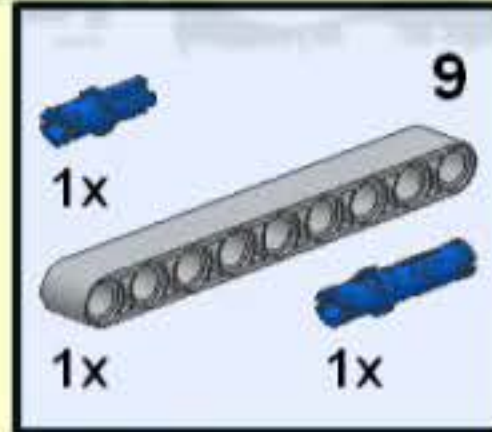


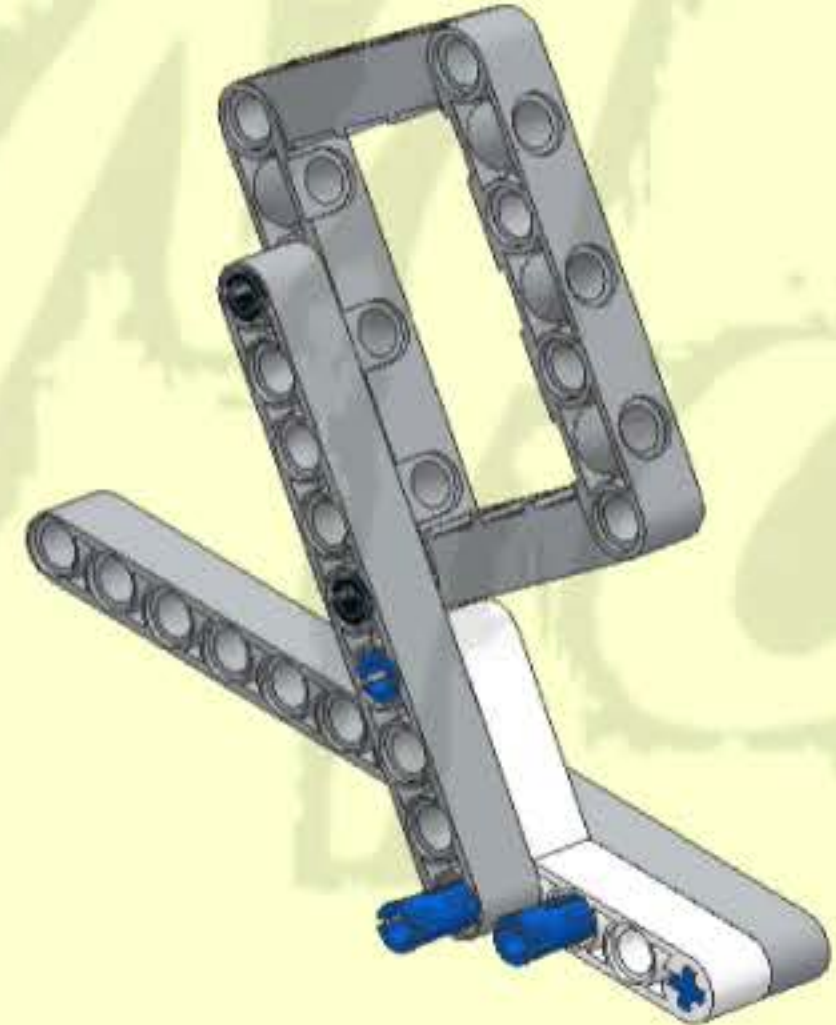
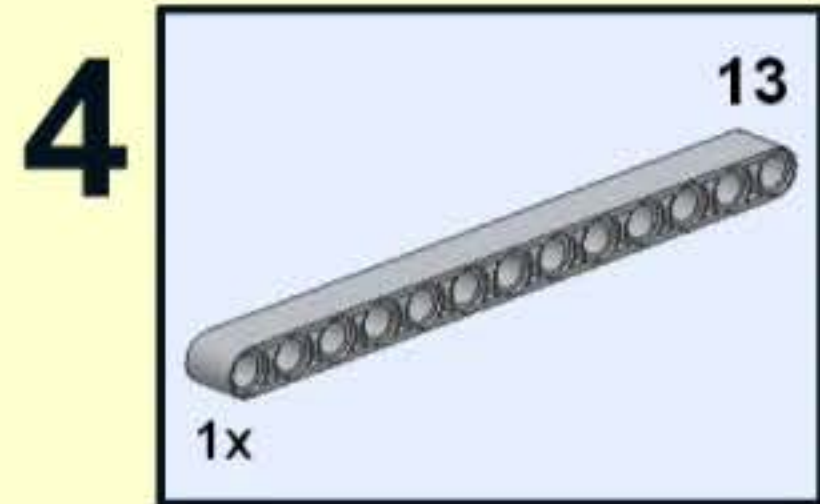
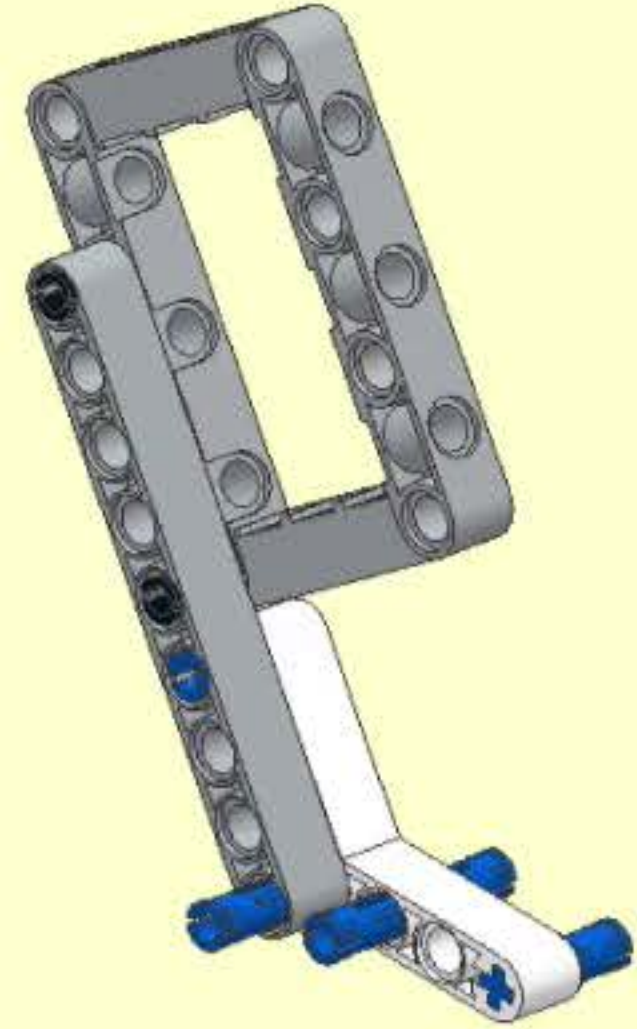
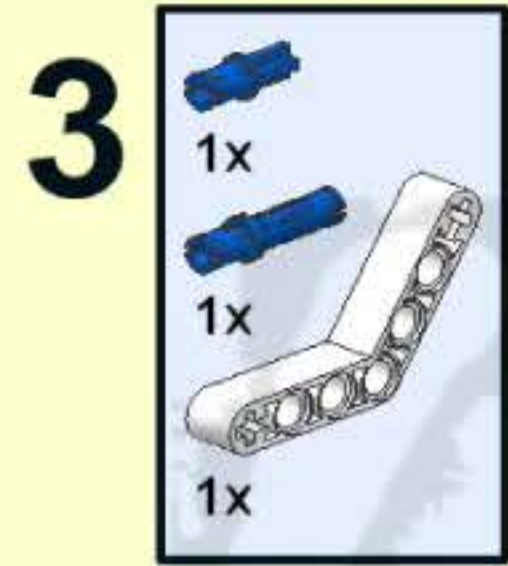


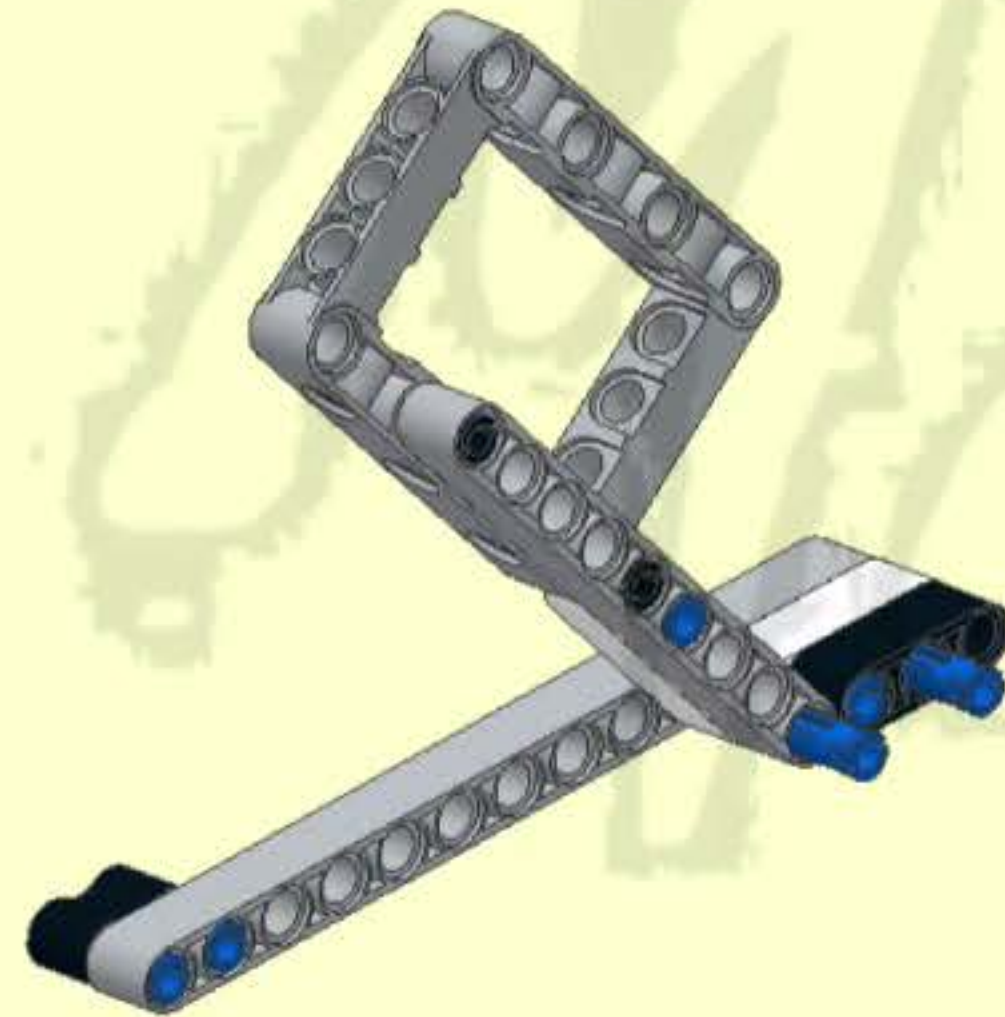
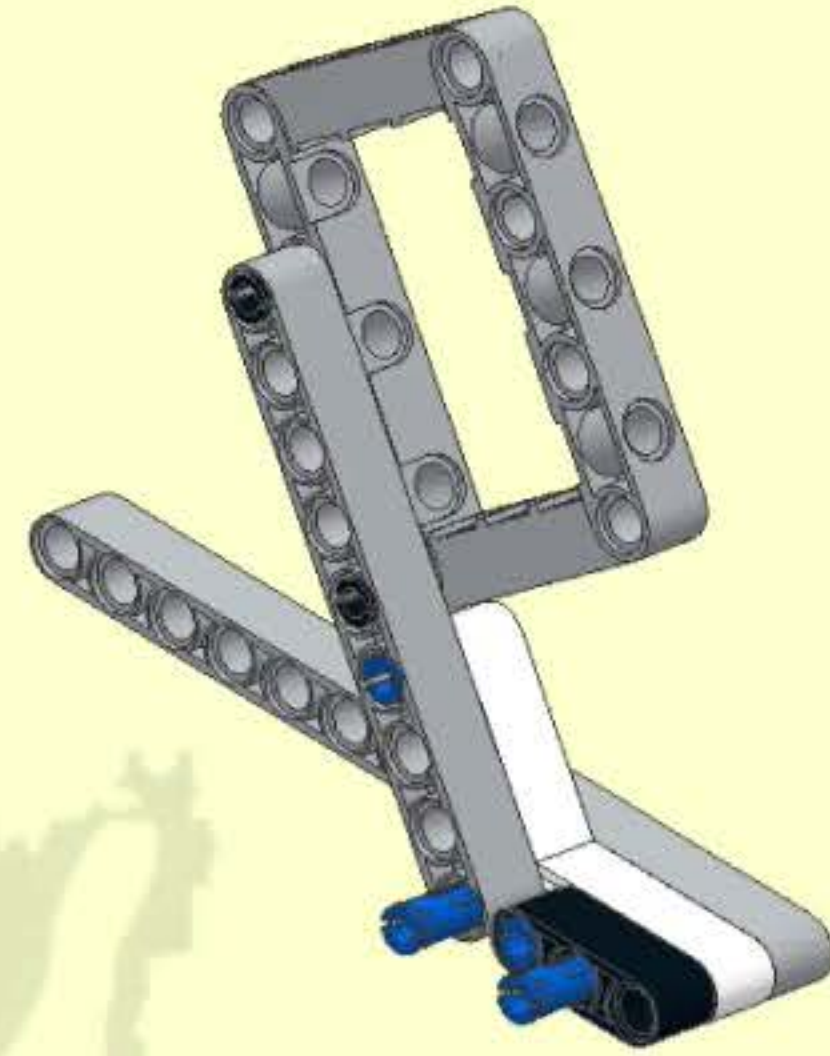
1



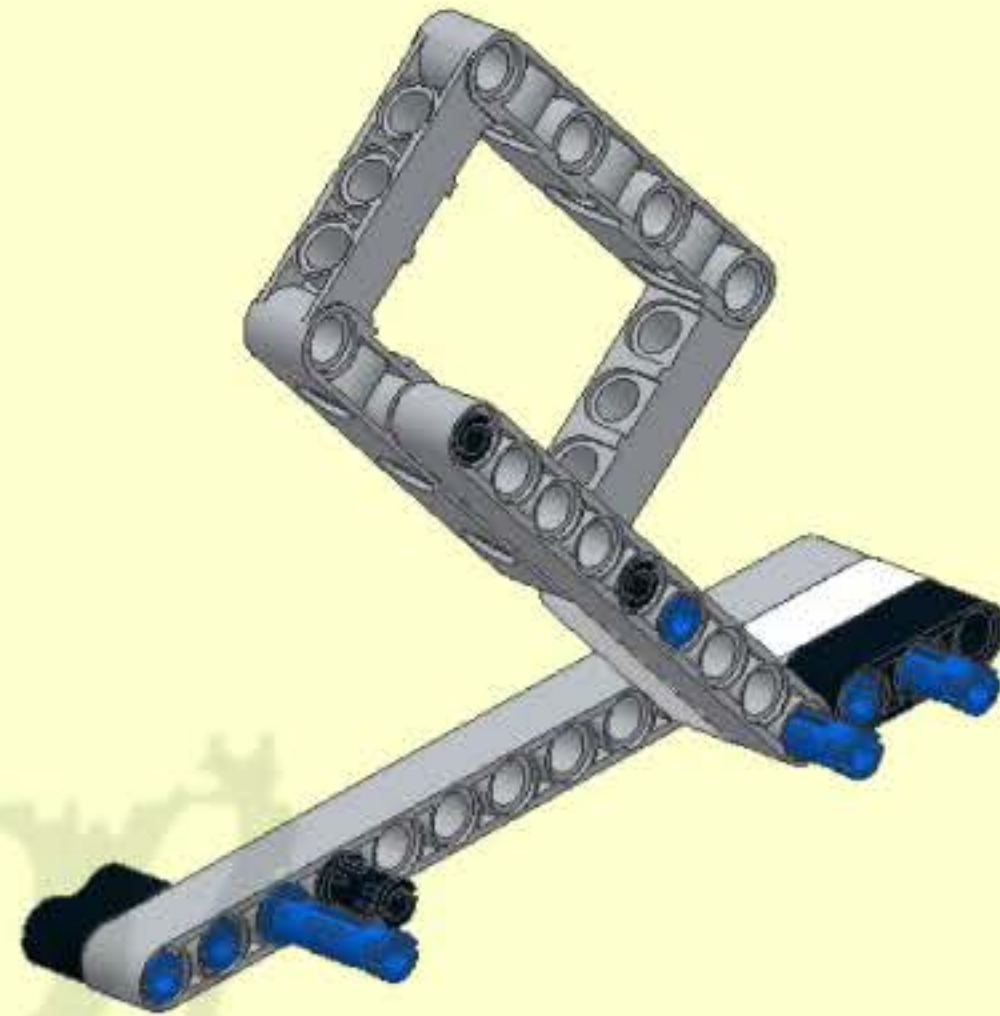
2



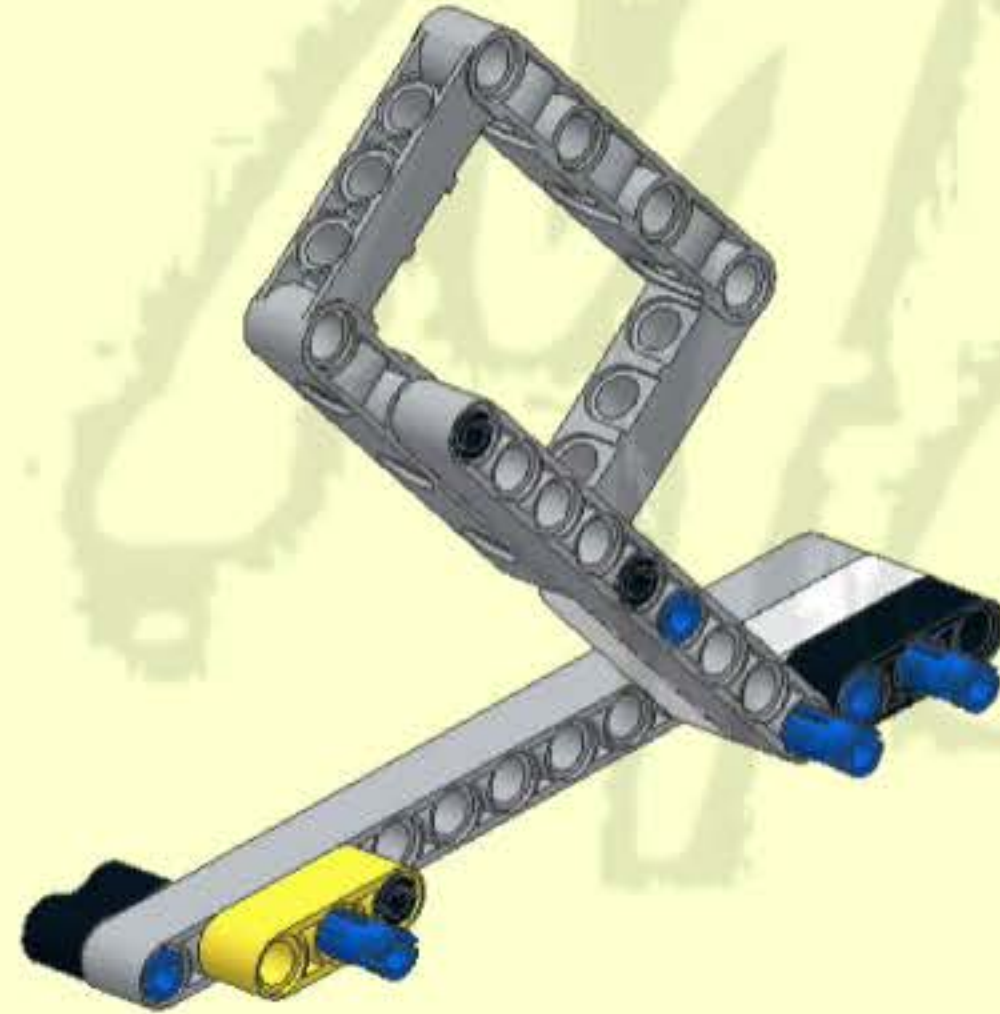
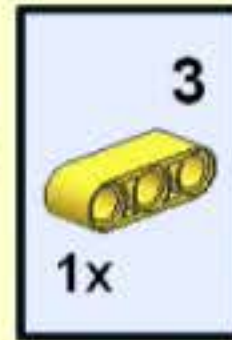




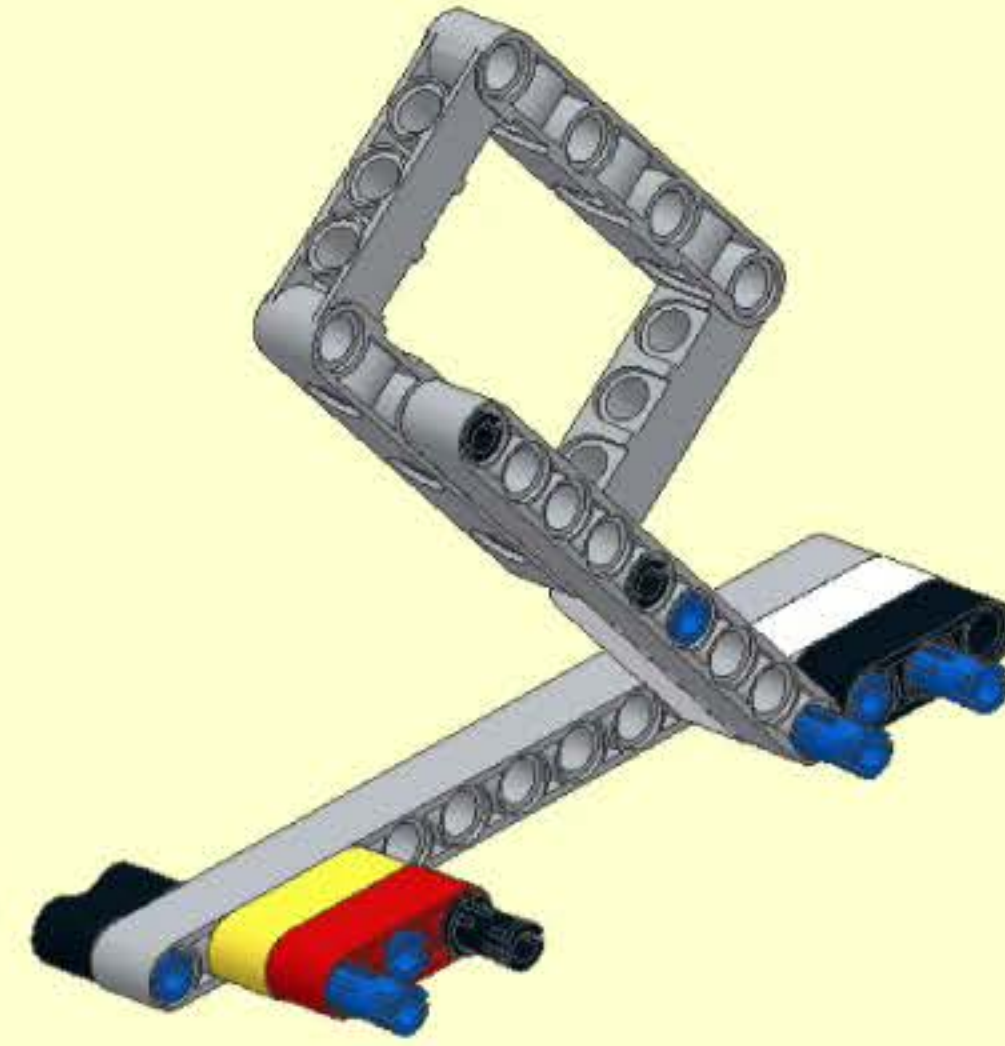
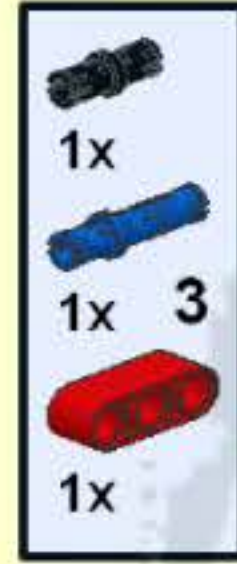
7



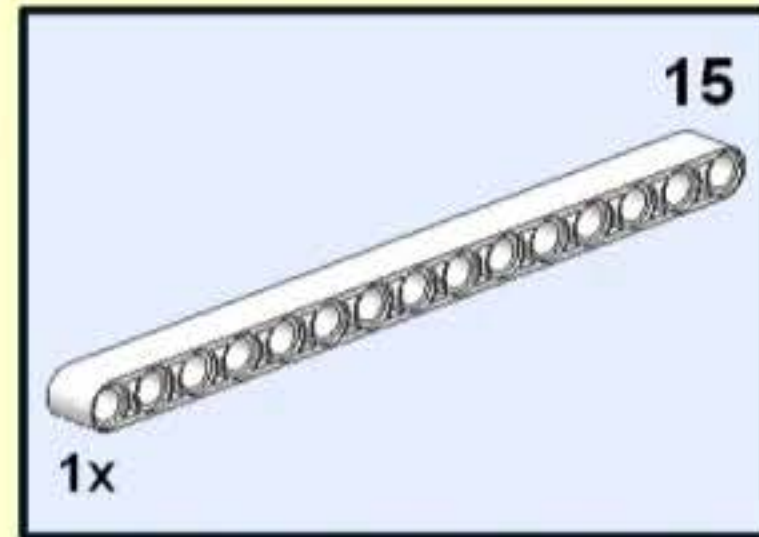
8



9



10


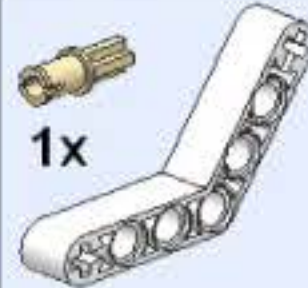





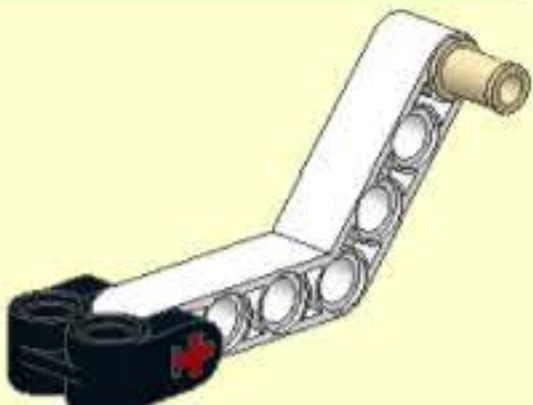








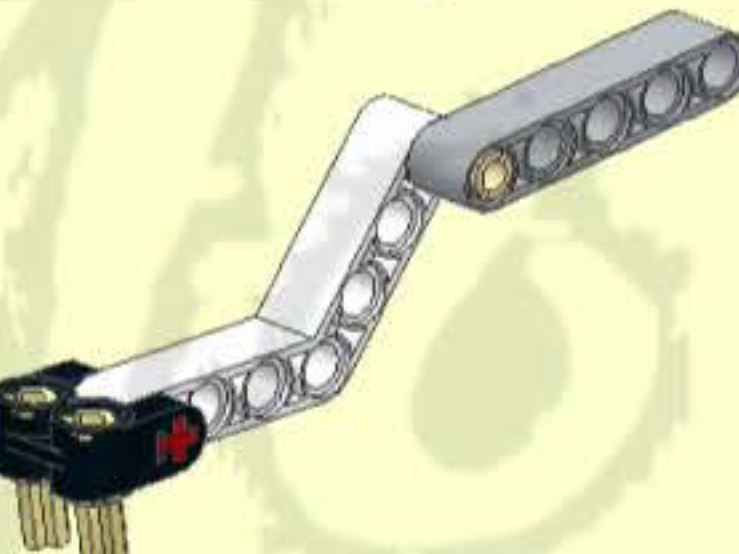
1

1x  1x  1x  2  1x 



2

1x  5  2x





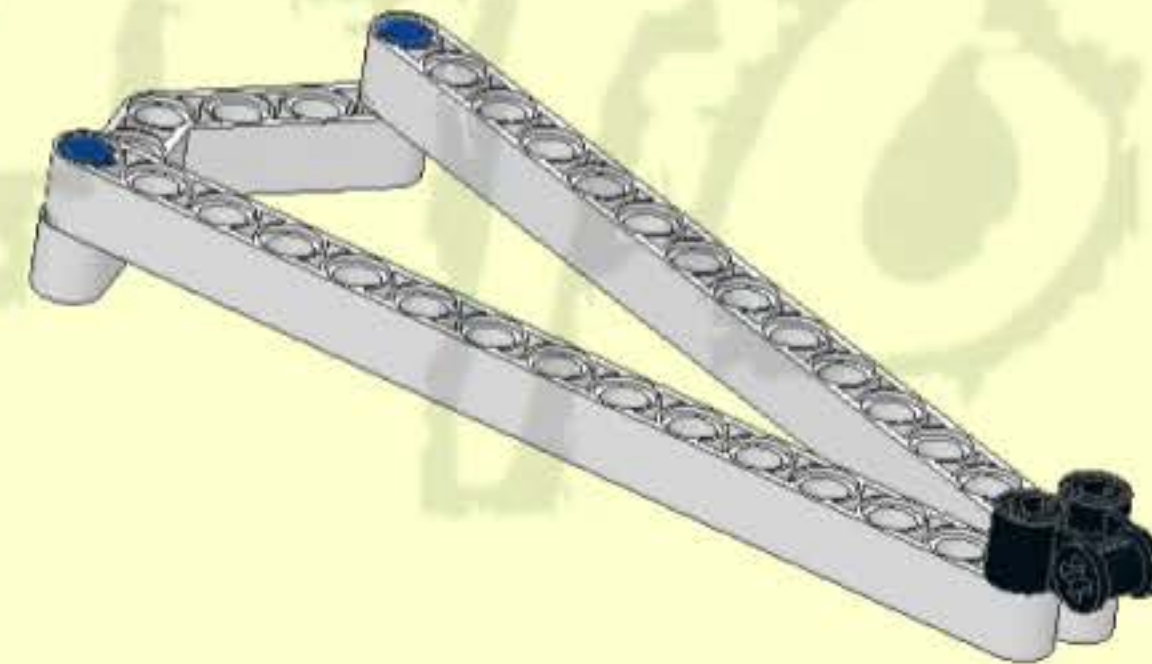
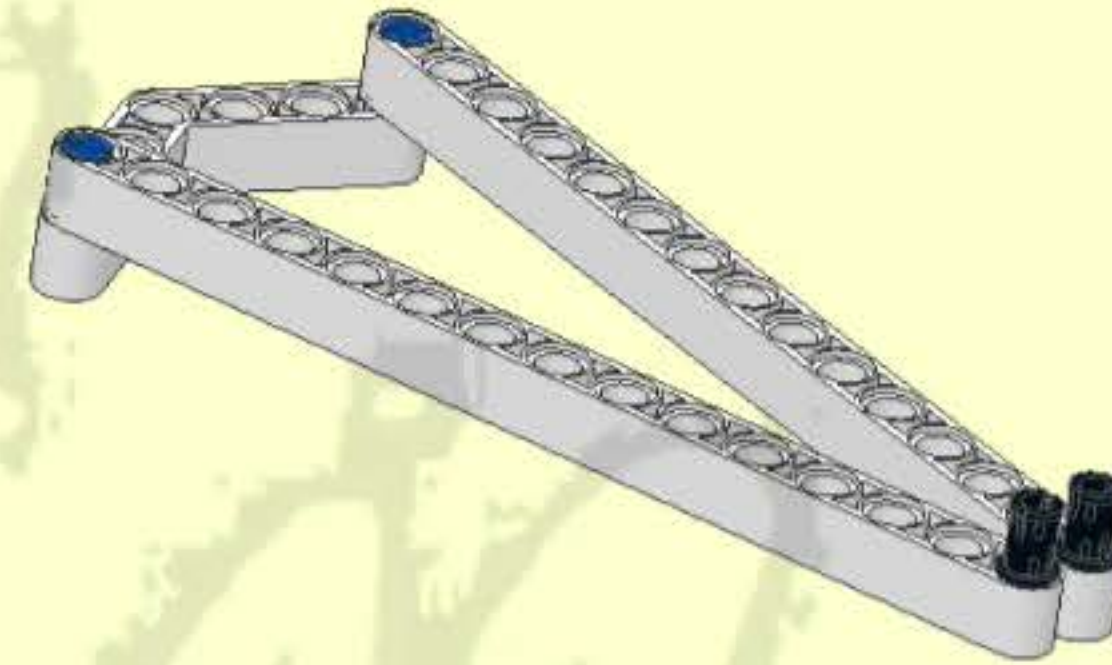
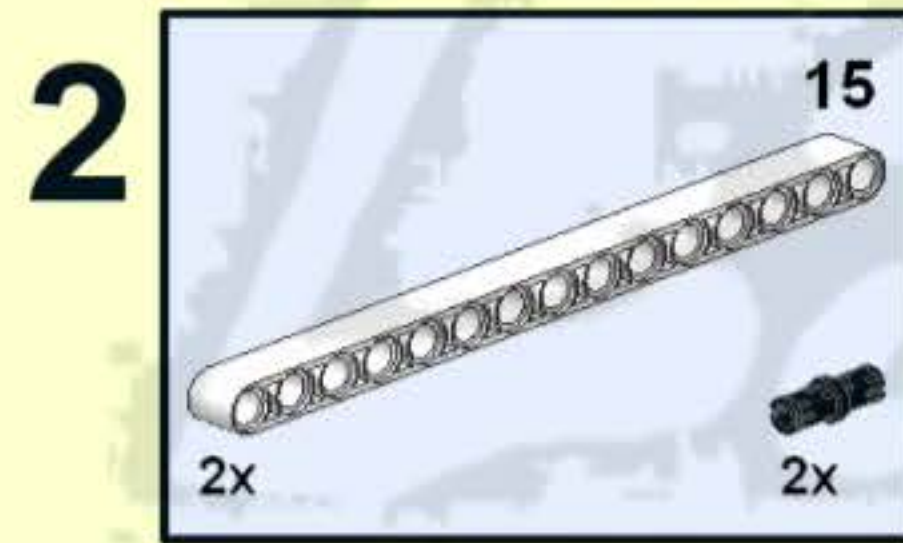
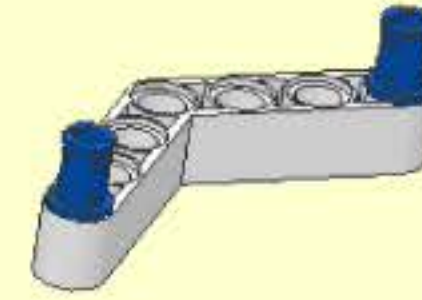
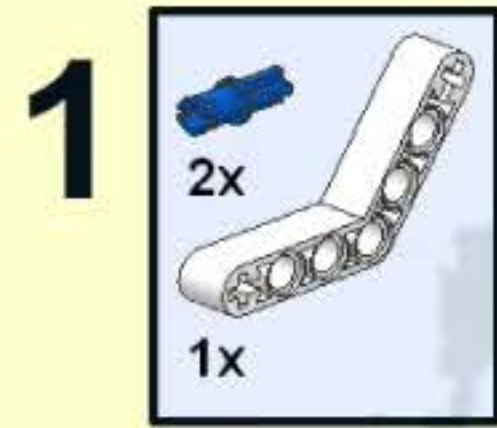
1

1x 1x 1x 1x 2 1x

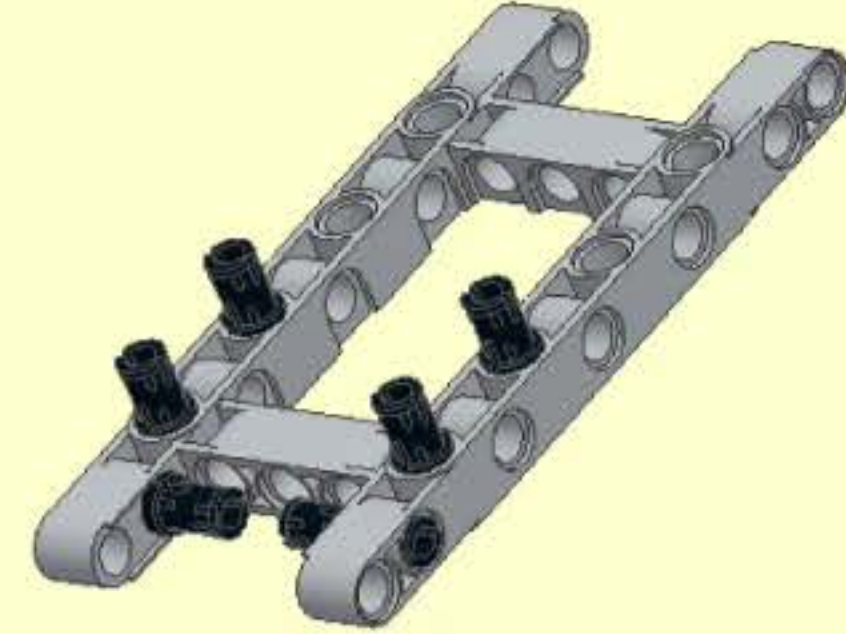
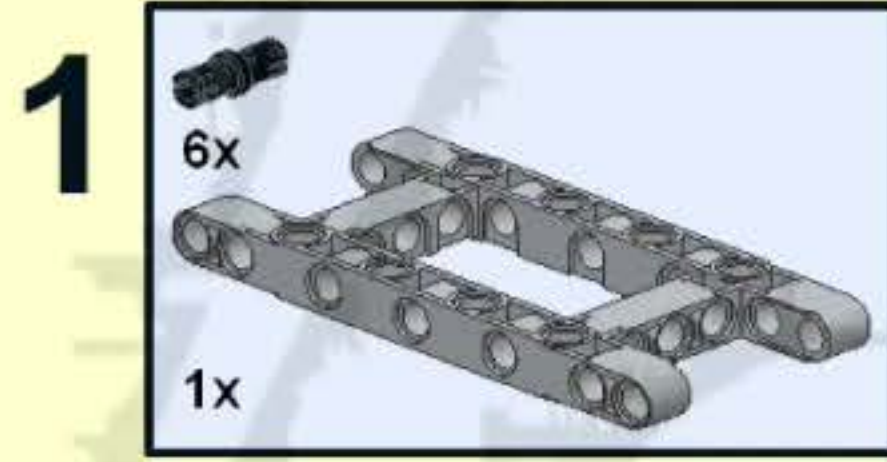
2

1x 5 2x

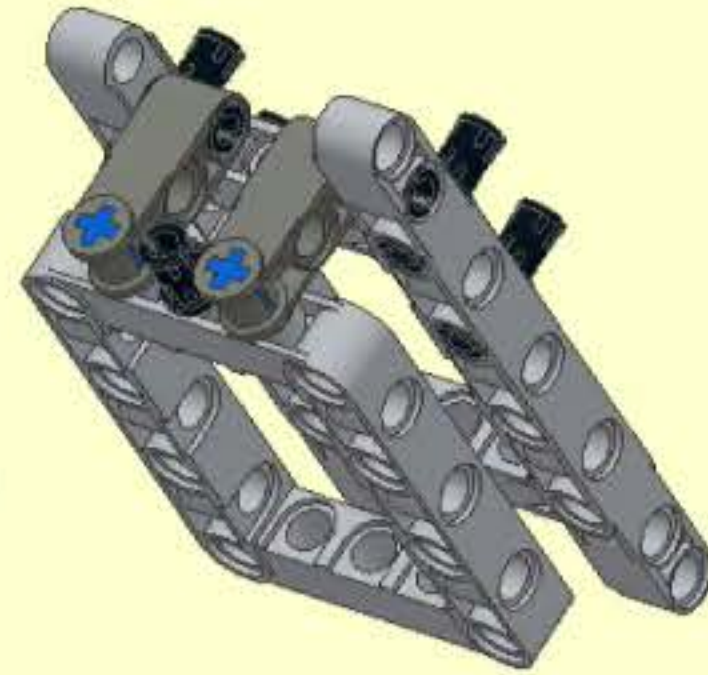
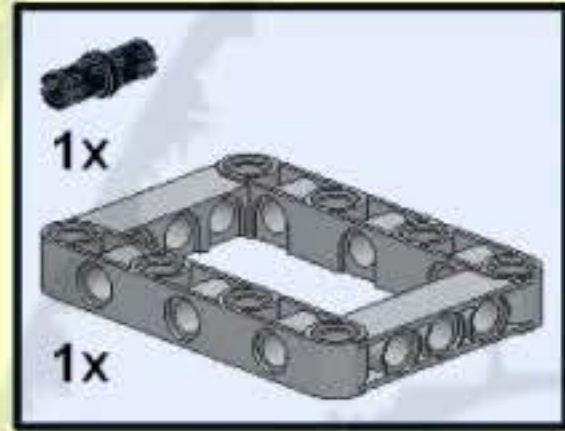
Diagram 1 shows the assembly of a white Technic beam (5 holes) with a black axle inserted into the first hole. A black axle is inserted into the second hole, and another black axle is inserted into the third hole. Two black pins are inserted into the fourth and fifth holes. A red pin is inserted into the sixth hole. Diagram 2 shows the assembly of a grey Technic beam (5 holes) with a black axle inserted into the first hole. Two black pins are inserted into the second and third holes. The assembly is then attached to the main mechanism.



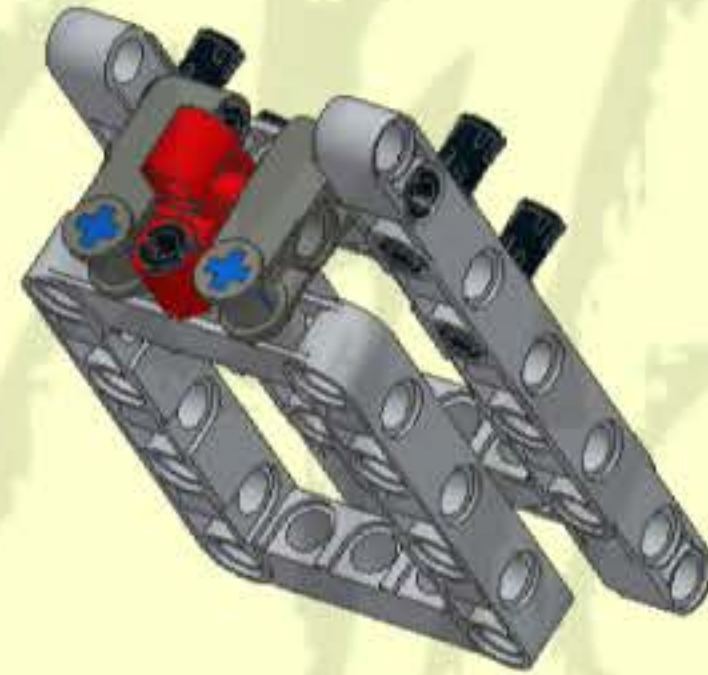


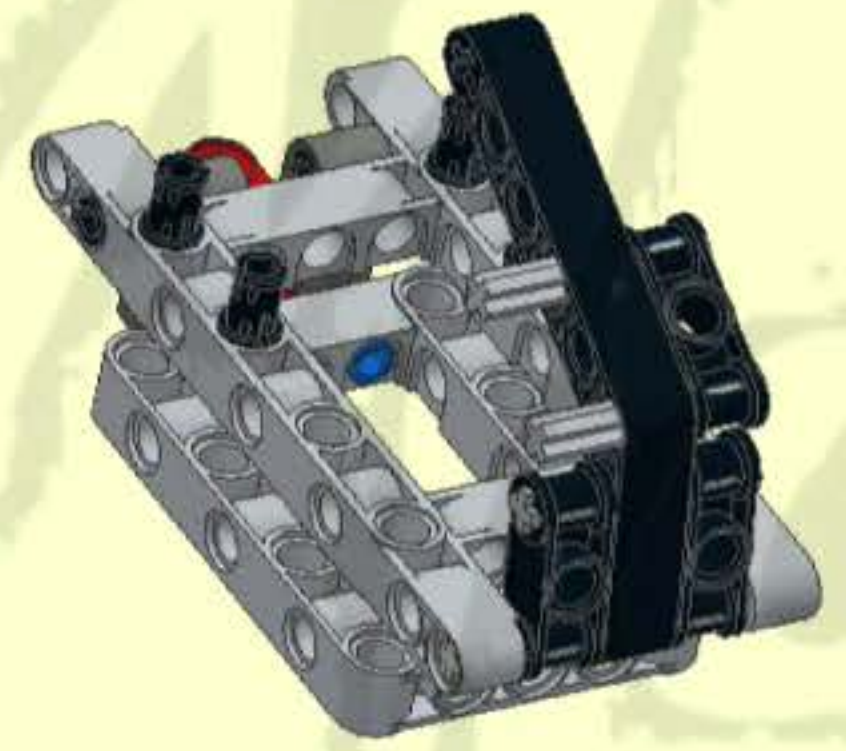
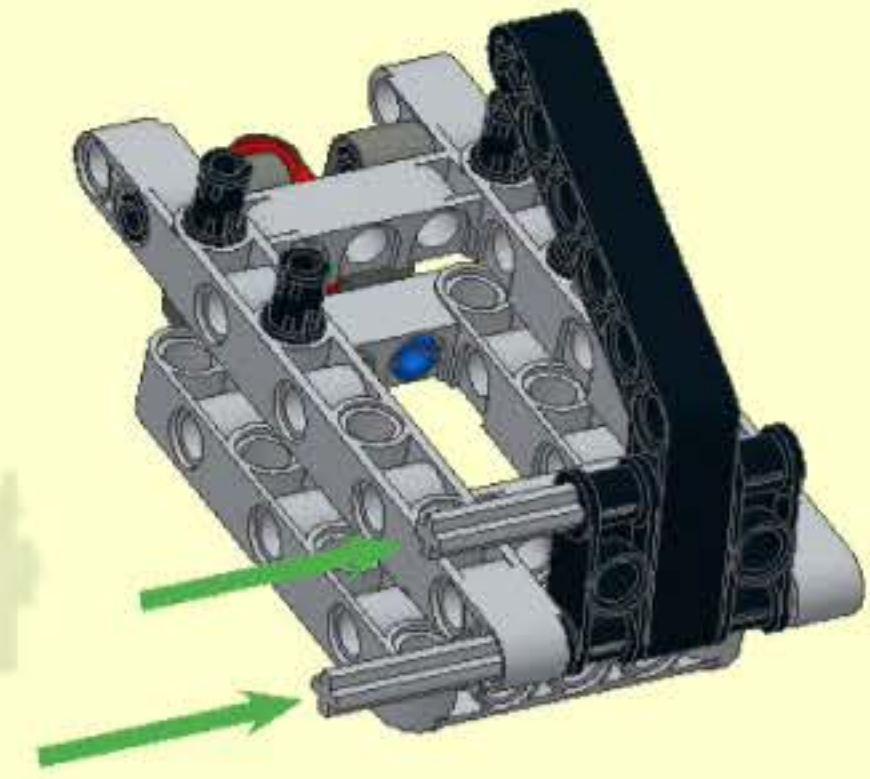
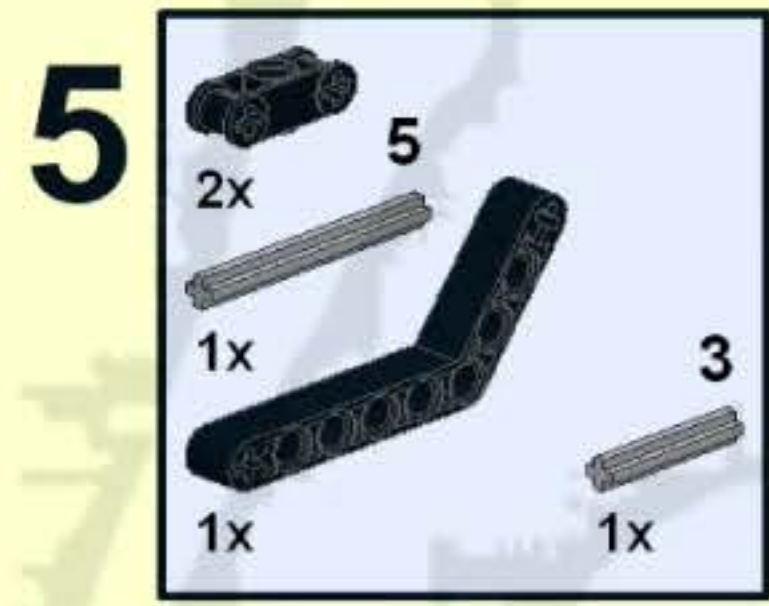


3

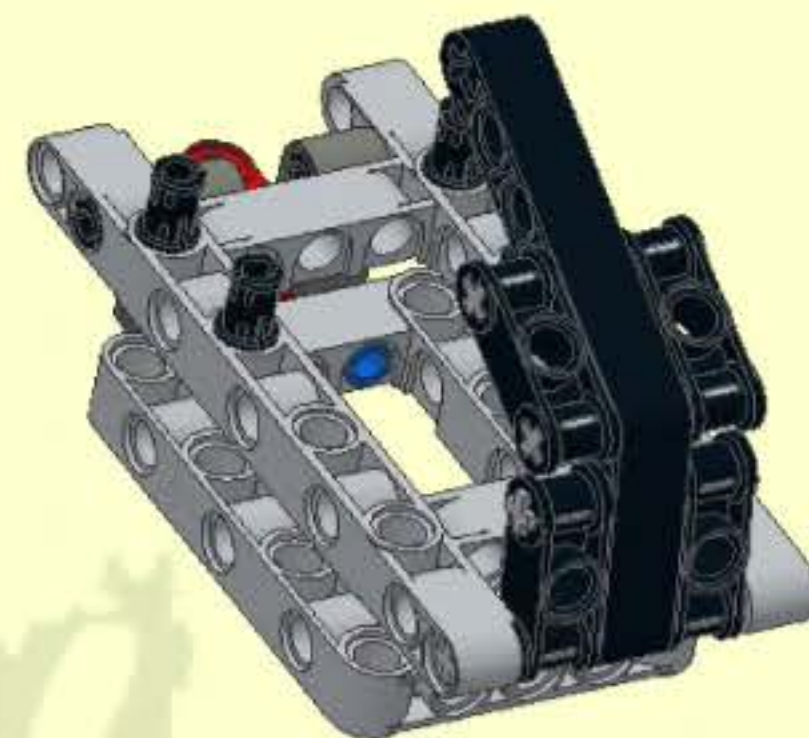





4

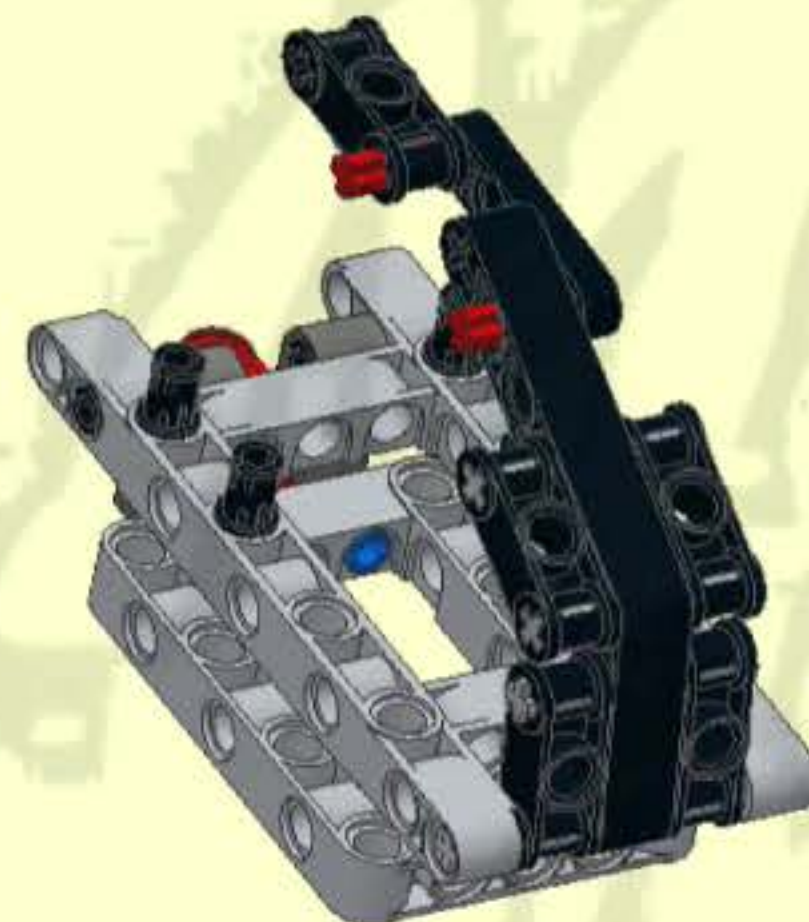




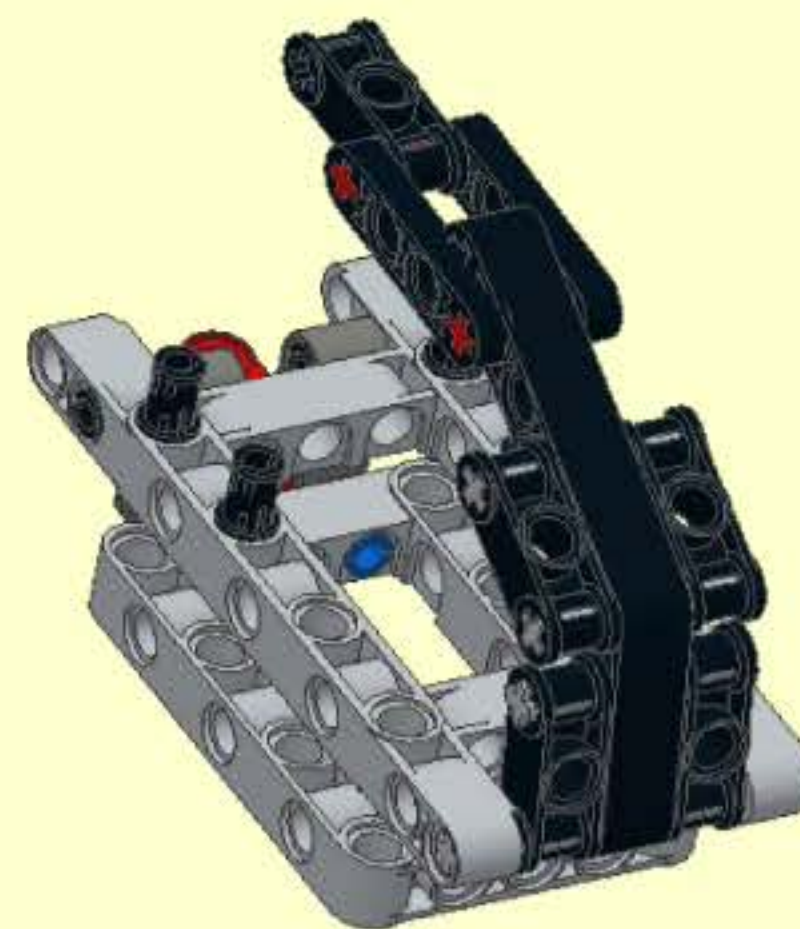
7 
1x



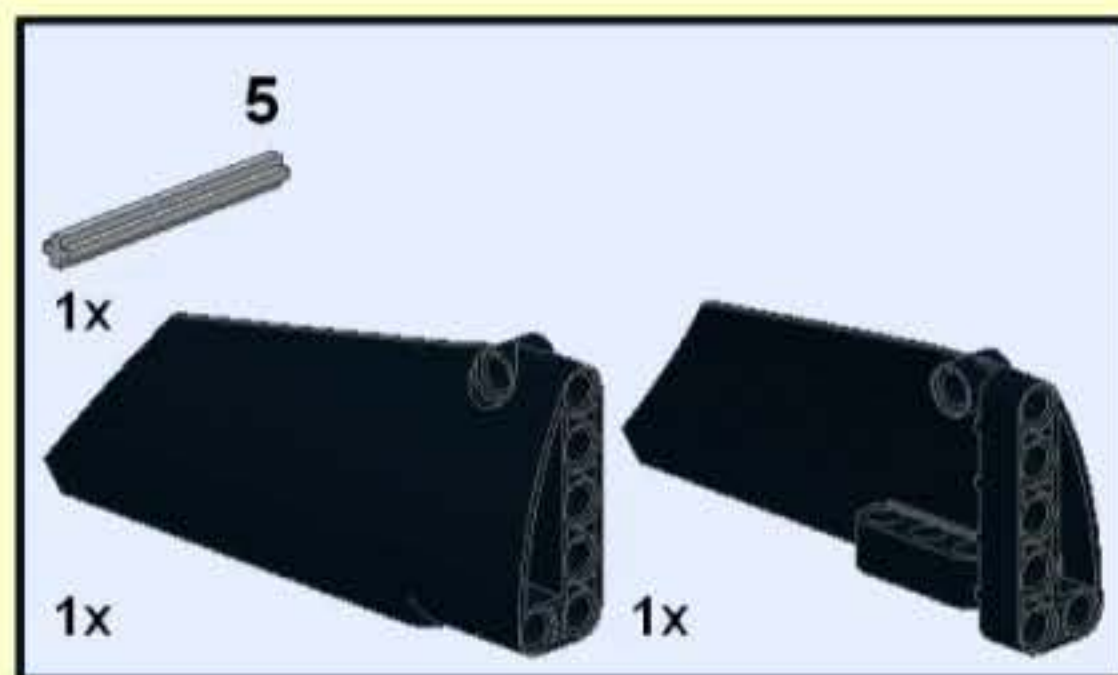
8 
2x

1x

1x



9



10



11



12



13





